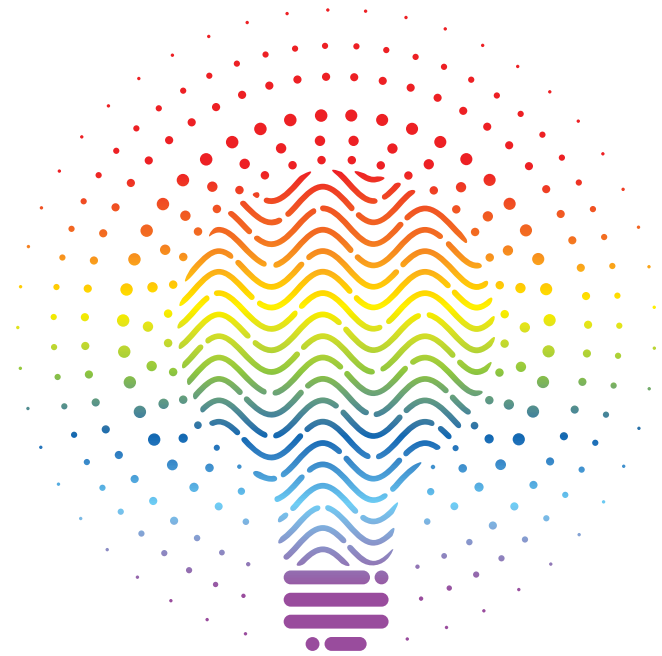


lyitit

~ ~ ~ ~ ~ COLLECTION

~ ~ ~ ~ ~.lyitit.co ~ ~ ~ ~ ~



lyitit

INNOVATION

BY LIFE CENTRIC LIGHTING SPECIALISTS

LYITIT is the most promising brand of INDIA
at the forefront of the lighting industry,
bringing in radical technological solutions by

Upgradation, Customization
Unlimited Designs, Performance



DESIGN

Light is the main principle and reason that guides us while developing our products. The combination of Light and aesthetics is the way in which the light fixture interacts with its surroundings. This is the reason why we pay so much attention to the design and development of our optical systems ensuring perfect harmony with the style of our products.

The aesthetical design, that is often developed in collaboration with architects and designers, is driven by a complete analysis of the lighting requirements and standards. The initial concepts are drawn up with dedicated design software and lead to the inception of the prototypes to verify validate aesthetics.





SUSTAINABILITY

Light is one of the most valuable energy resource we have. Awareness to environmental sustainability and consideration of cultural and natural heritage is a topic that in the in the last decades has affected every aspect of economic development.

For this reason, we have decided to adapt an environmentally 'green' mindfulness, with persistent research and development to deliver the 'right light' that is technically and operationally sustainable.

PERFORMANCE

LED technology has changed the way we think and design with light. Lytit offers a wide range of solutions with a distinguished design combined with the latest and best LED technology. The company's main focus is the consideration for sensitive matters, such as decreasing energy consumption, reducing CO2 emissions, thus increasing lifespan and limiting maintenance, and providing dimming control and remote management.





LIGHTING PERFORMANCE

Our inhouse laboratory enables us to verify the lighting performance of each apparatus from its conception. The photometric analysis in conformity with UNI EN 13032-1:2005, conducted by our engineers is paramount for us: not only an indispensable instrument for validation but allows us also to perform post-production and develop a credited database to support our customers.

A photograph of a forest path. Sunlight streams through the trees from the upper left, creating a bright, hazy glow. The path is made of gravel and leads into the distance. The trees are tall and thin, with green foliage. The overall atmosphere is serene and natural.

Just lit it

WHY LIGHT WITH HUMAN TECHNOLOGY OF TOUCH AND FEEL?

No Light - No Life. We can not touch light but light can touch us, light can not feel us but we can feel light. We are making the light sensorial to touch our senses with ultimate experience to please our life - living, to enhance the space - ambience and magically magnify the essence & importance of light with technology and design.

We are at the core of the lighting technology and design to demystify the hardest facts and rules of light to make it usable and useful keeping the balance of exact need of humans, habitats, spaces, ambiances and above all - nature.

We are Humanizing Lighting Technology with a shape for its usage and applications to make the best out of it for today's time and for the time to come.

**Presenting LYITIT,
Humanizing Lights !**



Education is
the movement
from darkness
to light

DESIGNERS

PAOLO DELL'ELCE



Paolo Dell'Elce (1983) is an Industrial designer based in Milano, Italy specialized in furniture, lighting and product design.

He studied design at Politecnico di Milano (IT) and at the Oslo school of Architecture and Design (NO).

His work has been published internationally, has received design awards including a honorable mention for 2014 Compasso d'Oro and the Red Dot Award: Product Design, and has been exhibited in prestigious institutions as Triennale di Milano, Museo Poldi Pezzoli in Milan, Museo dell'Ara Pacis in Rome, Kunstraum Muenchen in Munich.

DAMN°, a bimonthly magazine on contemporary culture wrote about his work: "His objects perform a rare balancing act: they display clear, precise forms without relinquishing the essential sensual component."

From 2011 to 2014 he has been Design Director of historic Italian company Danese Milano. From 2015 he leads the Furniture design team at David Chipperfield Architects, becoming Associate of the firm in 2018.

WU PATRICK



Wu Patrick is a contemporary executive with over 30 years of working experience in MNC's such as Philips, Siemens/Osram/Traxon (architectural lighting), and GE Lighting. He is experienced in Business Management, Commercial Operations, Business Modeling, Strategy Setting and People Management; Country/Regional level bottom-line responsibility in Asia Pacific, Middle East, India and Greater China; a trusted advisor in business acquisition with in-depth industrial knowledge and insights in Consumer Electronics, Lighting and Energy sectors.

His functional expertise includes Sales, Business Development, Marketing, Product and Project Management.

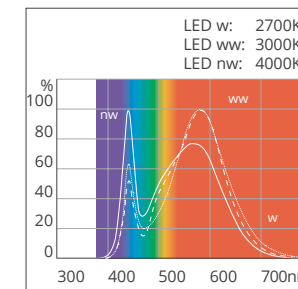
Patrick has an Electronics and Electrical Engineering BSc degree from the University of London, an Industrial and Manufacturing Systems Engineering Management MSc degree from the University of Hong Kong and an EMBA from the City University of Hong Kong.

At Lyitit we work non-stop to find and produce innovative lighting solutions that offer maximum convenience and comfort to people and cause minimum impact to the environment. We only use quality materials in our production. All our products are extensively tested and attention is paid to every little detail. This allows us to offer our clients products that seamlessly meet or even surpass their expectations.

Flexibility and client satisfaction are top priorities for us. We like to help our clients find adequate lighting solutions and adapt our range to their wishes if they so desire.

Lyitit wants to reward you with brightness by bringing new perspectives to light: today, tomorrow and beyond.

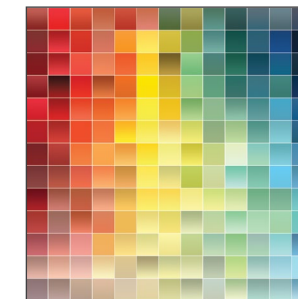
LED TECHNOLOGY



LED SPECTRUM

LEDs in LYITIT luminaires provide options from neutral white (W40, 4000K) warm white (W30, 3000K) and warm (W27, 2700K).

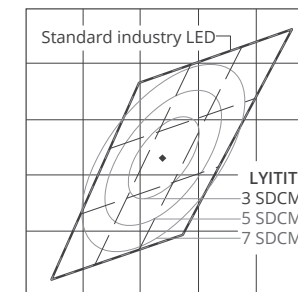
Some fixtures offer tuneablewhite (2700K to 6500K) or RGBW (Red, Green, Blue, White) colourchanging sources. LEDs do not generate UV or IR radiation and have very low colour fading rate as compared to conventional lamps.



THE COLOUR RENDERING INDEX

(CRI or Ra) is a standard measure of how well a light source reproduces the colour of an object compared to a standard reference (tungsten) source. The index value is computed from how well the light source under test reproduces the colour of 8 standard pastel colour swatches. Generally, for LED fixtures, a colour rendering index of between 80 and 90 is stated as good and a value between 90 and 100 considered as excellent.

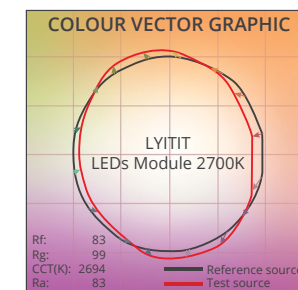
LYITIT provide fixtures with a tested CRI value >80 for general indoor and outdoor as standard, however, CRI >90 is optional upon request.



LED COLOUR DEVIATION

SDCM is an acronym which stands for Standard Deviation Colour Matching and it has the same meaning as a "MacAdam ellipse". The SDCM value, defined from visual colour matching experiments, shows the standard deviation of the colour discrimination variations from a specific center on the xy chromaticity diagram based on ANSI engineer Davis Lewis MacAdam described. Increasing size of ellipse can classify the maximum colour deviation of light sources referred to as MacAdam ellipses of a certain step size SDCM.

LYITIT uses high-power LEDs and Chip-on-Board LED (COB) with 3 SDCM (or 3-Step MacAdam ellipses) as the standard suitable for most indoor and outdoor project applications



TM-30-15 (LATEST)

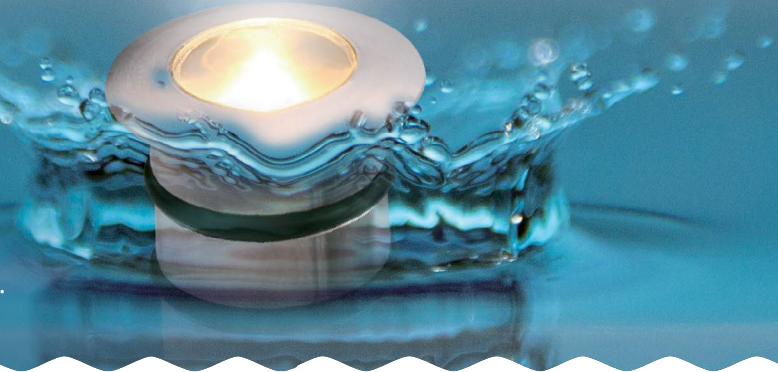
SDCM is an acronym which stands for Standard Deviation Colour Matching and it has the same meaning as a "MacAdam ellipse". The SDCM value, defined from visual colour matching experiments, shows the standard deviation of the colour discrimination variations from a specific center on the xy chromaticity diagram based on ANSI engineer Davis Lewis MacAdam described. Increasing size of ellipse can classify the maximum colour deviation of light sources referred to as MacAdam ellipses of a certain step size SDCM.

LYITIT uses high-power LEDs and Chip-on-Board LED (COB) with 3 SDCM (or 3-Step MacAdam ellipses) as the standard suitable for most indoor and outdoor project applications

IPXX RATING

TEST METHOD

The test specifies a spray nozzle that is fed with 80°C water at 8–10 MPa (80–100 bar) and a flow rate of 14–16 L/min. The nozzle is held 10–15 cm from the tested device at angles of 0°, 30°, 60° and 90° for 30 seconds each. The test device sits on a turntable that completes a rotation once every 12 seconds (5 rpm).



IP RATING AND DESCRIPTIONS

1st Digit	Protection from solid objects	2nd Digit	Protection from moisture
0	No protection against contact and ingress of objects	0	No protection from liquids
1	50mm Protection against solid objects greater than 50mm	1	Protected against dripping water
2	12mm Protection against solid objects greater than 12mm	2	Protected from water spray less than 15 degrees from the vertical
3	2.5mm Protection against solid objects greater than 2.5mm	3	Protected from water spray less than 60 degrees from the vertical
4	1.0mm Protection against solid objects greater than 1.0mm	4	Protected from water spray from any direction
5	Ingress of dust is not entirely prevented	5	Protected from low pressure water jets from any direction
6	Complete protection against contact (dust tight)	6	Protected from high pressure water jets from any direction
Note: EN 605229 does not specify sealing effectiveness against the following: mechanical damages of the equipment; the risk of explosions; certain types of moisture conditions; e.g. those that are produced by condensation; corrosive vapours; fungus; vermin		7	Protected during immersion from between 15 centimetre and 1 metre in depth
		8	Protected from long term immersion up to a specified pressure
			Protection against high-pressure high temperature jet spray, wash-downs or stream-cleaning procedures; this rating is most often seen in specific road vehicle applications (standard ISO 20653:2013 Road vehicles - Degrees of protection).

IK RATING

IK Ratings are an international numeric classification to indicate the degrees of protection provided by enclosures for electrical equipment against external mechanical impacts. It provides a means of specifying the capacity of an enclosure to protect its contents from external impacts in accordance with IEC 62262:2002 and IEC 60068-2-75:1997. IK ratings are an important factor when choosing LED lighting which may be fitted in an area that could be subject to rough environment, attempted vandalism or other impacts.

ISO 12944 ENVIRONMENT TABLE

IK 01	WEIGHT - 0.25kg FALL - 56mm ENERGY - 0.14 J	IK 02	WEIGHT - 0.25kg FALL - 80mm ENERGY - 0.20 J
IK 03	WEIGHT - 0.25kg FALL - 140mm ENERGY - 0.35 J	IK 04	WEIGHT - 0.25kg FALL - 200mm ENERGY - 0.50 J
IK 05	WEIGHT - 0.25kg FALL - 280mm ENERGY - 0.70 J	IK 06	WEIGHT - 0.25kg FALL - 400mm ENERGY - 1.00 J
IK 07	WEIGHT - 0.50kg FALL - 400mm ENERGY - 2.00 J	IK 08	WEIGHT - 1.70kg FALL - 300mm ENERGY - 5.00 J
IK 09	WEIGHT - 5.00kg FALL - 200mm ENERGY - 10.00 J	IK 10	WEIGHT - 5.00kg FALL - 400mm ENERGY - 20.00 J

ENVIRONMENT TABLE

Material's exposure to different environmental conditions will contribute to the material's degradation and wear. To know how certain chemicals, present in the different environments, affect metals helps us to make better decisions about the components used in the production of the luminaries. Lytit opt for preventative measures against metal deterioration diminishing the defects of the corrosion and then reducing costs. For these reasons, preventing corrosion is a critical step in product design and manufacturing.



ISO 12944 ENVIRONMENT TABLE

ISO 12944 classification	Corrosion risk level	Typical environments
C1	Low	C1 heated buildings/neutral atmosphere
C2	Low	Rural areas, low pollution
C3	Medium	Moderate sulphur dioxide levels, production areas with high humidity
C4	High	Industrial and coastal areas, chemical processing plants
C5I	Very high	Industrial areas with high humidity and harsh environmental conditions
C5M		Marine, offshore environments with high salinity are addressed via products made to ISO 20340 standards

SALT & SPRAY TEST

The salt spray test is intended to simulate severe corrosion conditions and it is used as a quality control analysis required for all outdoor fixtures. It is a test that determines if the products will corrode prematurely or not. The tests are run for weeks and even months to assure that the fixture can survive the environment in which it is placed.

What is the ASTM B117 standard?

The standard for the implementation of the salt spray corrosion test is defined by the ASTM International, and it sets the test to evaluate the corrosion resistance information on metals surfaces and coated metals. The standard practice and procedure to carry on the test is specified in the B117 that was revised in 1997. It describes the apparatus procedures and conditions required to maintain the salt spray (fog) test environment.

What does the salt spray test consist of?

The test fixture is stored in a special test chamber during the previously established test period and is exposed to a foggy saline environment. The spraying is continuous so the fixtures are always wet and subject to corrosion. Saline water solution (5% NaCl) is continuously spraying in a camera maintained at 35 °C. The position of the products shall be supported or suspended between 15 °C and 30 °C from the vertical and no contact with each other. The results are obtained in a few hours for the less protective systems and up to several hundreds of hours for the most powerful. The standard duration of salt spray corrosion tests can change depending on the equipment and the intended environment.

What does the test determine?

The standard on which the test is based ultimately determines whether the material meets the quality requirements. It also allows comparisons between the different materials and finishes. Corrosion tests with salt spray are especially useful for testing products used on the high seas or by the sea. Since these environments have a higher salt load; however, it can simulate, on an accelerated basis, other harsh and hazardous

conditions. Corrosion tests with salt spray have been used in different industries and it is just recently that started to be used in the LED lighting equipment.

Why to implement corrosion salt spray tests?

Material's exposure to different environmental conditions will contribute to the material's degradation and wear. To know how certain chemicals, present in the different environments, affect metals helps manufacturers to make better decisions about the components used in the production of the luminaries. Manufacturers can opt for preventative measures against metal deterioration diminishing the defects of the corrosion and then reducing costs. If manufacturers can guarantee better performance, quality and a longer lifespan of the fixtures, customer satisfaction and safety will increase; for these reasons, preventing corrosion is a critical step in product design and manufacturing. Using the ASTM B117 Standard for corrosion testing is a valuable tool that helps manufacturers to make sure that their products and goods are designed with the optimum protection against metal degradation.








Salt spray tests to the ASTM B117 standard determine corrosion resistance on metal and coated materials. The tests allow manufacturers to make improvements to the fixtures and guarantee the performance in hazardous locations environments.

Lytit's mission aims not just to produce lighting fixtures, but also to imagine and create a new concept and a new way of illuminating by integrating light in even more complex spaces. We want to anticipate the times, with a keen eye for research and development, and do it with the International quality standard that has always distinguished it.

The collection of LED Luminaires, Lytit allows you to give life to lighting projects in indoor and outdoor spaces, emphasizing and shaping architectural elements in a creative and evocative way with light.

Turning light from necessity into solution is our vision. Thanks to our LED lighting products, we want to interact with light, giving it an active and more important role in everyday life.

7 ave

- LAND** ave Landscape
- HIGH** ave Facade & Grazer
- AQUA** ave Under Water
- COLOUR** ave RGB, RGBW, RGBWA
- UNDER** ave Inground Series
- ASCENT** ave Indoor Series
- FLEX** ave Flexible Series

56 FAMILIES

225 LED variants



CONTENT

LAND  ave



02 ARCHI MINI



04 ARCHI 120



06 TURBINE



08 SPOT 30



10 SPOT 120



12 SPOT 150



14 SPOT 200



16 INSTA LAND 42



18 LAND 45



20 LAND 65



22 INSTA LAND 75



24 LAND 85



26 INSTA LAND 95



28 LAND 110



30 INSTA LAND 115



32 INSTA LAND SPOT 185 SQ



34 INSTA SPOT 220 SQ

HIGH  ave

AQUA  ave



44 LINEAR SLIM PH DC



46 LINEAR PH AC



48 INSTA LINEAR PH DC



50 LINEAR SLIM PM G3



52 LINEAR PM AC



54 LINEAR PM DC



56 INSTA LINEAR PM DC



58 LINEAR SLIM PL DC



60 INSTA LINEAR PL DC MINI



62 INSTA LINEAR PL DC MILKY



64 IP COVE PH



66 IP COVE PM



68 CONTINUES-25 IP



70 CONTINUES-25 IP OPTIC



72 POWER BLAST G2



74 TRANSFORM



76 INSTA MEGA FLOOD



80 FLEX AQUA MINI 13



82 FLEX HIGH 16



84 FLEX SIDE 19



86 FOUNTAIN 42



88 FOUNTAIN 95



92 **DIRECT VIEW
PIXEL MIDI SLIM**



94 **DIRECT VIEW
PIXEL AC**



96 **DIRECT VIEW
TUBE**



98 **CONTINUES-25
DIRECT VIEW PIXEL**



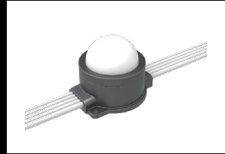
100 **CONTINUES-25
DIRECT VIEW TUBE**



102 **DOT 26**



104 **DOT 40**



106 **INSTA DOT 40**



108 **INSTA DOT 42SQ**



110 **DOT 48**



112 **DOT 58**



114 **DIRECT VIEW
PIXEL-B**



116 **INTERACTIVE
PIXEL-B**



120 **MARKER 19**



122 **SPOT 30 R**



124 **IN 40**



126 **IN 100**



128 **IN 173**



130 **IN 250**



132 **IN SLIM G2**



134 **INGRAZE 34**



136 **INSTA
INGRAZE 53**



138 **INGRAZE 60**



140 **INGRAZE 80**



142 **INPRESS
FROSTED SQ**



146 **CONTINUES-25
SURFACE**



148 **CONTINUES-25
SUSPENDED**



150 **CONTINUES-25
SYSTEM**



152 **CONTINUES-25
OPTICS**




156 **FLEX SLIM PIXEL**



158 **MODULER FLEX**



160 **INSTA FLEX
GRAZE**

A large tree with autumn foliage is illuminated at night, with a traditional Japanese building in the background. The tree's leaves are lit with a warm, golden light, and the building's interior lights are visible through the windows. The scene is set in a dark, wooded area with a body of water in the foreground.

The bespoke LANDWAVE series products are seamlessly designed for outdoor architectural lighting. This series of products can be arranged with various sub-units for Tailor Made applications. A wide range of colour and colour temperature options are available to suit ambience needs and private preference. Excellent waterproof and durable long-lasting lighting allows it to functionally operate under various conditions.

LAND  ave

ARCHI MINI

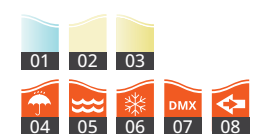
The fixture utilizes the latest ultra narrow beam technology, thus ensuring fixture output is at high intensity while consuming extremely low power, The excellent optic design creates clean illumination and highly efficient light performance, The optic design offers excellent glare control.



SPECIFICATION

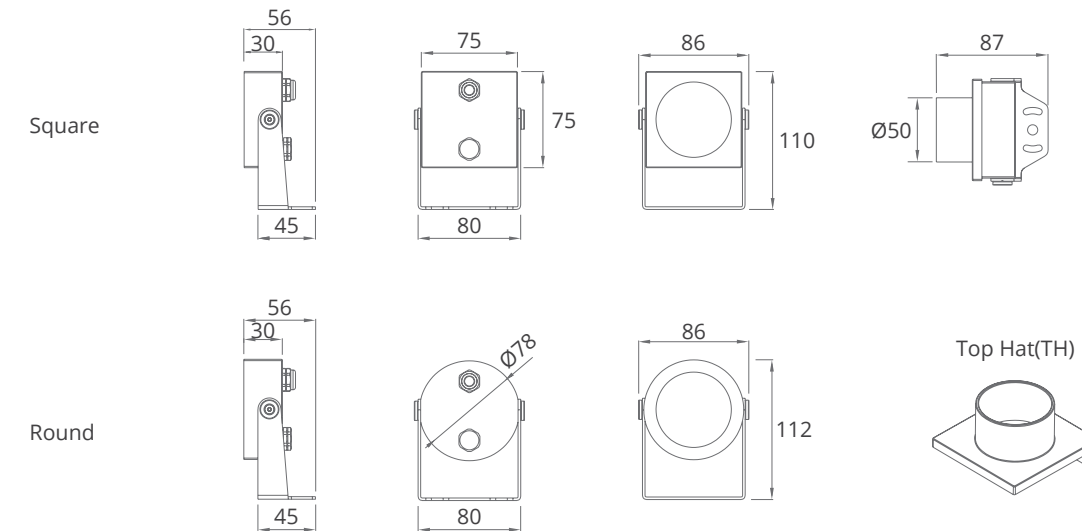
MODEL	ARCHI MINI
OPERATING VOLTAGE	24V DC
POWER CONSUMPTION	3W, 5W
LED TYPE	High Power LED
COLOUR TEMP OPTION	2700K, 3000K, 4000K, 5000K
CRI	80min, 90min
PRODUCT EFFICACY	63lm/W@3000K
FULL WIDTH AT HALF MAXIMUM (OPTICS)	3°, 7°
MATERIAL	Aluminum + Tempered Glass
AMBIENT OPERATING TEMPERATURE	-20°C ~ +55°C
STORAGE TEMPERATURE	-25°C ~ +60°C
LIFETIME	50,000 hours/L70 at 25°C
DIMENSIONS	86 (L)*56(W)*110 (H)mm (with bracket)(Square), 86 (L)*56(W)*112 (H)mm (with bracket (Round)
CABLE LENGTH	500mm
CONTROL SYSTEM	Non Dim/0-10V/DMX - RDM
MOUNTING TYPE	Surface
IP RATING	IP66

FEATURES & OPTIONS



- | | | |
|--------|-----------------|---------|
| 01. CW | 04. IP66 | 07. DMX |
| 02. NW | 05. ANTI-SALINE | 08. RDM |
| 03. WW | 06. POLAR | |

DIMENSIONS



*all units are in mm

OPTIC SELECTION



3°

LED	Lumens	Watts	Efficacy
WHITE	190.26	3.00	63.42

CenterBeamLux	Illuminance at Distance
2296.59 lx	05.0 m
574.15 lx	10.0 m
255.18 lx	15.0 m
143.54 lx	20.0 m
91.86 lx	25.0 m
63.79 lx	30.0 m

▪ Ver. Spread: 2.8° ▪ Horiz. Spread: 2.8°



7°

LED	Lumens	Watts	Efficacy
WHITE	341.70	5.00	68.34

CenterBeamLux	Illuminance at Distance
2377.76 lx	05.0 m
594.44 lx	10.0 m
264.20 lx	15.0 m
148.61 lx	20.0 m
95.11 lx	25.0 m
66.05 lx	30.0 m

▪ Ver. Spread: 7.2° ▪ Horiz. Spread: 7.2°

3000K

ARCHI 120

Extremely narrow beam by powerful
4 in 1 LED Extra-long distance shooting.

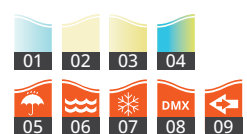
LAND^{wave}ave



SPECIFICATION

MODEL	ARCHI 120
OPERATING VOLTAGE	24V DC, 48V DC
POWER CONSUMPTION	25W MAX
LED TYPE	4 in1 High Power LED
COLOUR TEMP OPTION	2700K, 3000K, 4000K, 5000K, RGB, RGBW
CRI	80min
PRODUCT EFFICACY	60lm/W@3000K
FULL WIDTH AT HALF MAXIMUM (OPTICS)	4°, 10°, 25°, 40°
MATERIAL	Aluminum + Tempered Glass
AMBIENT OPERATING TEMPERATURE	-20°C ~ +55°C
STORAGE TEMPERATURE	-25°C ~ +60°C
LIFETIME	50,000 hours/L70 at 25°C
DIMENSIONS	φ120*100(H)mm, φ127*146(H)mm (with top hat)
CABLE LENGTH	1000mm
CONTROL SYSTEM	ON/OFF, DMX/RDM
MOUNTING TYPE	Surface
IP RATING	IP66

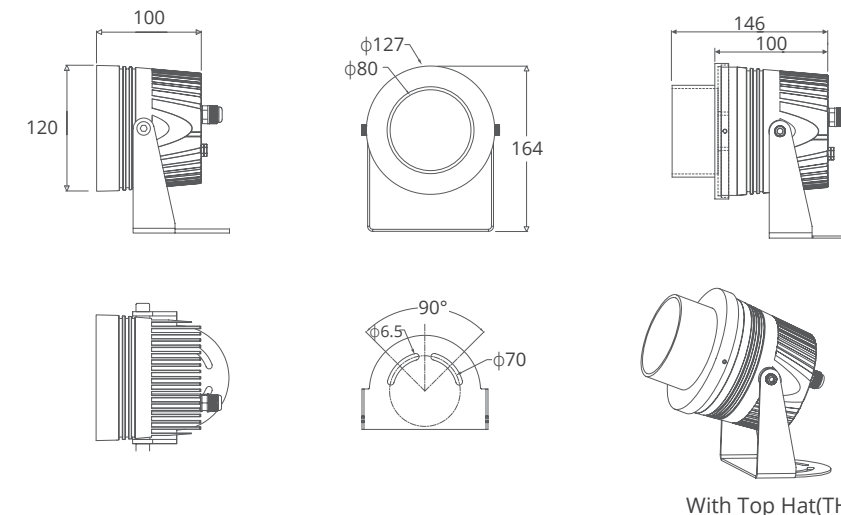
FEATURES & OPTIONS



- | | | |
|--------|-----------------|-----------|
| 01. CW | 04. RGBW | 07. POLAR |
| 02. NW | 05. IP66 | 08. DMX |
| 03. WW | 06. ANTI-SALINE | 09. RDM |

*All rights reserved. Specification may change without prior notice

DIMENSIONS



*all units are in mm

OPTIC SELECTION



4°

LED	Lumens	Watts	Efficacy
WHITE	1275.08	25.00	51.01

CenterBeamLux	Illuminance at Distance
7653.72 lx	05.0 m
1913.43 lx	10.0 m
850.41 lx	15.0 m
478.36 lx	20.0 m
306.15 lx	25.0 m
212.60 lx	30.0 m

■ Ver. Spread: 4.1° ■ Horiz. Spread: 4.0°



10°

LED	Lumens	Watts	Efficacy
WHITE	1502.70	25.00	60.10

CenterBeamLux	Illuminance at Distance
1098.86 lx	05.0 m
274.71 lx	10.0 m
122.10 lx	15.0 m
68.68 lx	20.0 m
43.95 lx	25.0 m
30.52 lx	30.0 m

■ Ver. Spread: 11.5° ■ Horiz. Spread: 11.6°

3000K

TURBINE

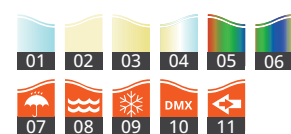
Designed to be compact with excellent thermal control, The thermal feedback by RDM Insures the fixture is safe to use, The system is composed with double and triple units, The new flexibly mounted double and triple brackets rotate freely for a multitude of light directions, Proven to be ultra stable under extreme weather conditions.



SPECIFICATION

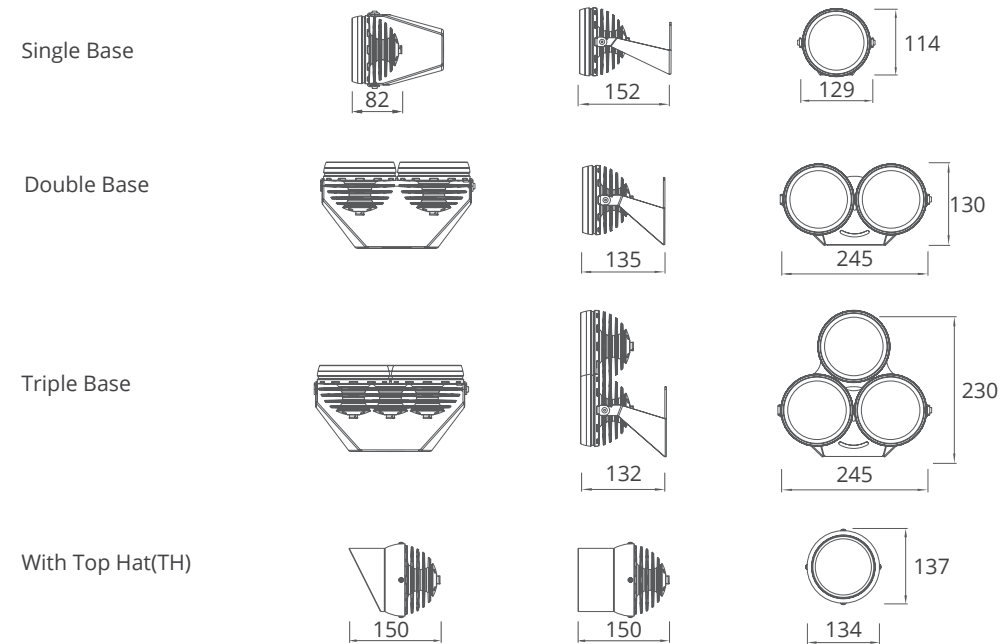
MODEL	TURBINE
OPERATING CURRENT	550mA
POWER CONSUMPTION	40W MAX/unit
LED TYPE	High Power LED
COLOUR TEMP OPTION	2700K, 3000K, 4000K, 5000K, Tunable White, RGB, RGBW
CRI	85min
PRODUCT EFFICACY	77.87lm/W@3000K
FULL WIDTH AT HALF MAXIMUM (OPTICS)	9°, 12°*41°, 16°, 20°
MATERIAL	Aluminum + Tempered Glass
AMBIENT OPERATING TEMPERATURE	-20°C ~ +55°C
STORAGE TEMPERATURE	-25°C ~ +60°C
LIFETIME	50,000 hours/L70 at 25°C
DIMENSIONS	Φ114 *82 (H)mm, Φ114 *152 (H)mm (with bracket)
CABLE LENGTH	3000mm
CONTROL SYSTEM	ON/OFF, DMX/RDM
MOUNTING TYPE	Surface
IP RATING	IP67

FEATURES & OPTIONS



- | | | |
|--------|-----------------|-----------|
| 01. CW | 05. RGB | 09. POLAR |
| 02. NW | 06. RGBW | 10. DMX |
| 03. WW | 07. IP67 | 11. RDM |
| 04. DW | 08. ANTI-SALINE | |

DIMENSIONS



*all units are in mm

OPTIC SELECTION



9°

LED	Lumens	Watts	Efficacy
WHITE	1420.50	20.00	71.03

CenterBeamLux	Illuminance at Distance
2064.68 lx	05.0 m
516.17 lx	10.0 m
229.41 lx	15.0 m
129.04 lx	20.0 m
82.59 lx	25.0 m
57.35 lx	30.0 m

Ver. Spread: 8.2° Horiz. Spread: 8.3°



20°

LED	Lumens	Watts	Efficacy
WHITE	1557.40	20.00	77.87

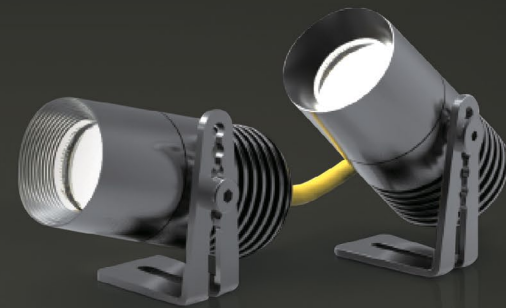
CenterBeamLux	Illuminance at Distance
190.39 lx	05.0 m
47.60 lx	10.0 m
21.15 lx	15.0 m
11.90 lx	20.0 m
7.62 lx	25.0 m
5.29 lx	30.0 m

Ver. Spread: 22.2° Horiz. Spread: 21.9°

3000K

SPOT 30

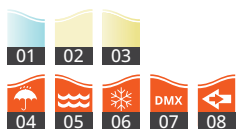
Equipped with state of art and ultra-compact design, The system includes various mounting methods including free standing, dry wall, in ground style, High efficacy and high CRI, Excellent glare control and optic performance.



SPECIFICATION

MODEL	SPOT 30
OPERATING CURRENT	700 mA CC
POWER CONSUMPTION	2.86W MAX
LED TYPE	High Power LED
COLOUR TEMP OPTION	2700K, 3000K, 3500K, 4000K, 5000K
CRI	90min
PRODUCT EFFICACY	85lm/W@3000K
FULL WIDTH AT HALF MAXIMUM (OPTICS)	11°, 15°, 28°, 44°, 52°*12°
MATERIAL	Aluminum + Tempered Glass
AMBIENT OPERATING TEMPERATURE	-20°C ~ +55°C
STORAGE TEMPERATURE	-25°C ~ +60°C
LIFETIME	50,000 hours/L70 at 25°C
DIMENSIONS	φ41*70 (H)mm
CABLE LENGTH	500mm
CONTROL SYSTEM	ON/OFF, DMX, 0-10V Dim
MOUNTING TYPE	Surface
IP RATING	IP67

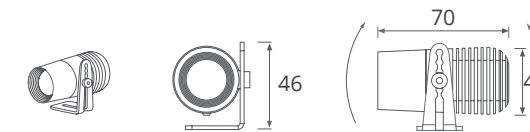
FEATURES & OPTIONS



- 01. CW
- 02. NW
- 03. WW
- 04. IP66
- 05. ANTI-SALINE
- 06. POLAR
- 07. DMX
- 08. RDM

DIMENSIONS

Free Standing(FS)



*all units are in mm

OPTIC SELECTION



11°

LED	Lumens	Watts	Efficacy
WHITE	212.53	2.93	72.53

CenterBeamLux	Illuminance at Distance
5656.60 lx	0.8 m
1414.15 lx	1.7 m
628.51 lx	2.5 m
353.54 lx	3.3 m
226.26 lx	4.2 m
157.13 lx	5.0 m

■ Ver. Spread: 11.6° ■ Horiz. Spread: 11.5°



15°

LED	Lumens	Watts	Efficacy
WHITE	252.97	2.99	84.60

CenterBeamLux	Illuminance at Distance
3485.29 lx	0.8 m
871.32 lx	1.7 m
378.25 lx	2.5 m
217.83 lx	3.3 m
139.41 lx	4.2 m
96.81 lx	5.0 m

■ Ver. Spread: 14.4° ■ Horiz. Spread: 14.5°

3000K

SPOT 120

Elegant designed fixture offers consistent and high quality light output, Compact dimension enable installation at limit space, Various beam angles offer from extremely narrow to wide or oval beam. Good Thermal management benefits long life time.



SPECIFICATION

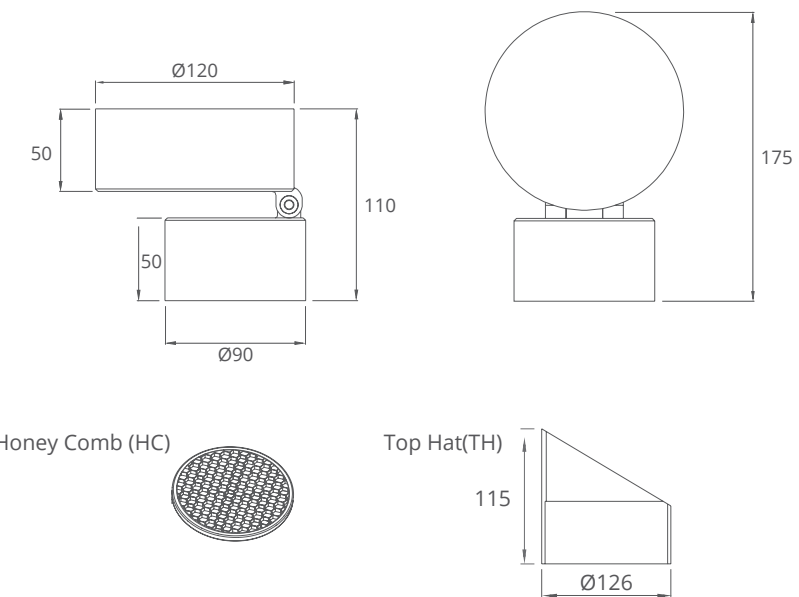
MODEL	SPOT 120
OPERATING VOLTAGE	24V DC, 48V DC, AC 100-240V
POWER CONSUMPTION	18W MAX
LED TYPE	High Power LED
COLOUR TEMP OPTION	2700K, 3000K, 4000K, 5000K, Tunable White, RGB, RGBW
CRI	90min, 80min
PRODUCT EFFICACY	72lm/W@3000K
FULL WIDTH AT HALF MAXIMUM (OPTICS)	4°,10°, 25°,40°, 8°*15°, 8°*30°, 8°*60°
MATERIAL	Aluminum + Tempered Glass
AMBIENT OPERATING TEMPERATURE	-20°C ~ +55°C
STORAGE TEMPERATURE	-25°C ~ +60°C
LIFETIME	50,000 hours/L70 at 25°C
DIMENSIONS	Ø120*110(H)mm
CABLE LENGTH	1000mm
CONTROL SYSTEM	ON/OFF, DMX/RDM, 0-10V Dim
MOUNTING TYPE	Surface
IP RATING	IP66

FEATURES & OPTIONS



- 01. RGBW
- 02. DIMMABLE
- 03. RDM
- 04. IP66
- 05. ADJUSTABLE
- 06. EASY INSTALLATION
- 07. EXTREME ENVIRONMENTS
- 08. AC-IN

DIMENSIONS



*all units are in mm

OPTIC SELECTION



4°

LED	Lumens	Watts	Efficacy
WHITE	1260.00	18.00	70.00

CenterBeamLux	Illuminance at Distance
6208.89 lx	05.0 m
1552.33 lx	10.0 m
689.92 lx	15.0 m
388.08 lx	20.0 m
248.36 lx	25.0 m
172.47 lx	30.0 m

■ Ver. Spread: 4.1° ■ Horiz. Spread: 4.2°



10°

LED	Lumens	Watts	Efficacy
WHITE	1296.00	18.00	72.00

CenterBeamLux	Illuminance at Distance
889.26 lx	05.0 m
222.31 lx	10.0 m
98.81 lx	15.0 m
55.58 lx	20.0 m
35.57 lx	25.0 m
24.71 lx	30.0 m

■ Ver. Spread: 11.3° ■ Horiz. Spread: 11.5°

3000K

SPOT 150

Elegant designed fixture offers consistent and high quality light output, Compact dimension enable installation at limit space, Various beam angles offer from extremely narrow to wide or oval beam. Good Thermal management benefits long life time.



SPECIFICATION

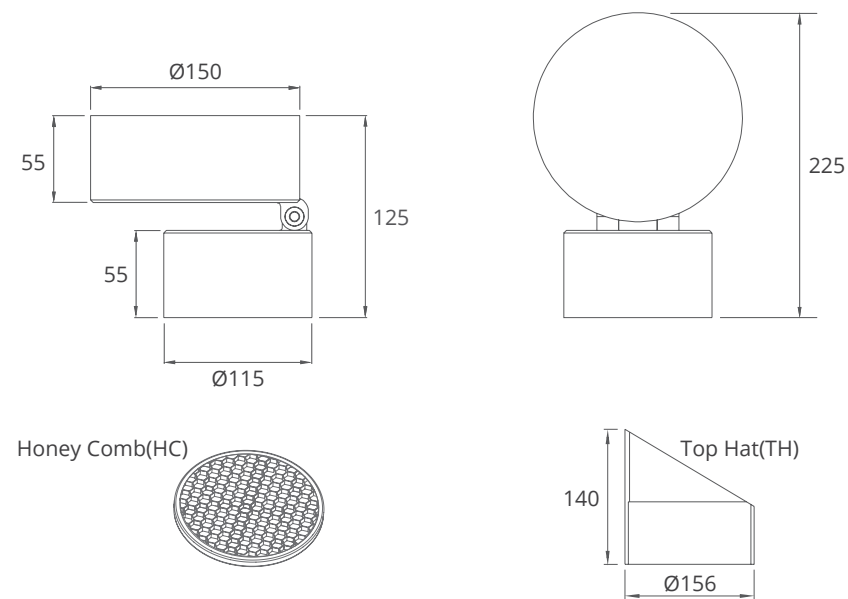
MODEL	SPOT 150
OPERATING VOLTAGE	24V DC, 48V DC, AC 100-240V
POWER CONSUMPTION	35W MAX
LED TYPE	High Power LED
COLOUR TEMP OPTION	2700K, 3000K, 4000K, 5000K, Tunable White, RGB, RGBW
CRI	90min, 80min
PRODUCT EFFICACY	72lm/W@3000K
FULL WIDTH AT HALF MAXIMUM (OPTICS)	4°,10°, 25°, 40°, 8°*15°, 8°*30°, 8°*60°
MATERIAL	Aluminum + Tempered Glass
AMBIENT OPERATING TEMPERATURE	-20°C ~ +55°C
STORAGE TEMPERATURE	-25°C ~ +60°C
LIFETIME	50,000 hours/L70 at 25°C
DIMENSIONS	Ø150*125(H)mm
CABLE LENGTH	1000mm
CONTROL SYSTEM	ON/OFF, DMX/RDM, 0-10V Dim
MOUNTING TYPE	Surface
IP RATING	IP66

FEATURES & OPTIONS



- 01. RGBW
- 02. DIMMABLE
- 03. RDM
- 04. IP66
- 05. ADJUSTABLE
- 06. EASY INSTALLATION
- 07. EXTREME ENVIRONMENTS
- 08. AC-IN

DIMENSIONS



*all units are in mm

OPTIC SELECTION



4°

LED	Lumens	Watts	Efficacy
WHITE	2373.70	35.00	67.82

CenterBeamLux	Illuminance at Distance
11262.35 lx	05.0 m
2814.54 lx	10.0 m
1190.25 lx	15.0 m
702.57 lx	20.0 m
448.07 lx	25.0 m
312.19 lx	30.0 m

■ Ver. Spread: 4.1° ■ Horiz. Spread: 4.2°



10°

LED	Lumens	Watts	Efficacy
WHITE	2524.20	35.00	72.12

CenterBeamLux	Illuminance at Distance
1711.59 lx	05.0 m
419.11 lx	10.0 m
350.74 lx	15.0 m
105.65 lx	20.0 m
67.23 lx	25.0 m
45.31 lx	30.0 m

■ Ver. Spread: 11.1° ■ Horiz. Spread: 10.5°

3000K

SPOT 200

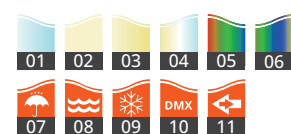
Elegant designed fixture offers consistent and high quality light output, Compact dimension enable installation at limit space, Various beam angles offer from extremely narrow to wide or oval beam. Good Thermal management benefits long life time.



SPECIFICATION

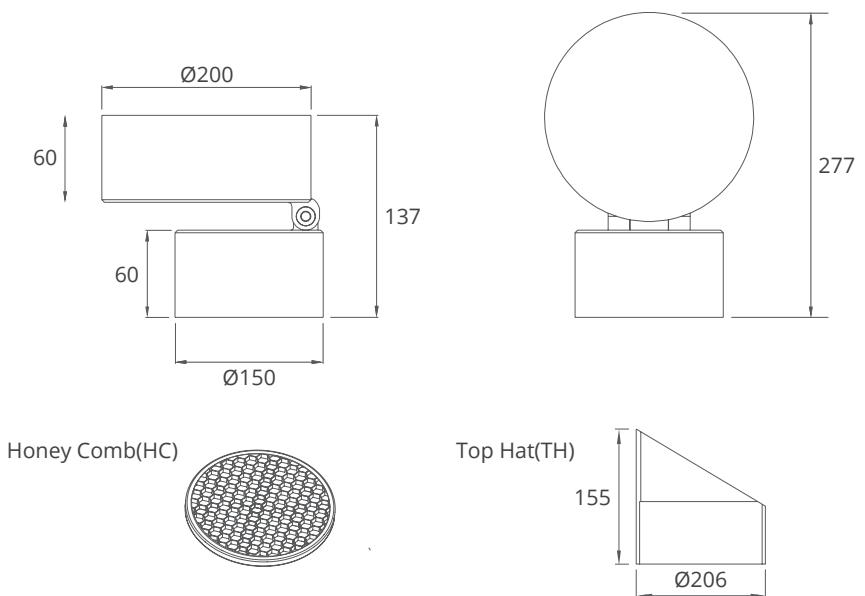
MODEL	SPOT 200
OPERATING VOLTAGE	24V DC, 48V DC, AC 100-240V
POWER CONSUMPTION	70W MAX
LED TYPE	High Power LED
COLOUR TEMP OPTION	2700K, 3000K, 4000K, 5000K, Tunable White, RGB, RGBW
CRI	90min, 80min
PRODUCT EFFICACY	70lm/W@3000K
FULL WIDTH AT HALF MAXIMUM (OPTICS)	4°,10°, 25°, 40°, 8°*15°, 8°*30°, 8°*60°
MATERIAL	Aluminum + Tempered Glass
AMBIENT OPERATING TEMPERATURE	-20°C ~ +55°C
STORAGE TEMPERATURE	-25°C ~ +60°C
LIFETIME	50,000 hours/L70 at 25°C
DIMENSIONS	Ø200*137(H)mm
CABLE LENGTH	1000mm
CONTROL SYSTEM	ON/OFF, DMX/RDM, 0-10V Dim
MOUNTING TYPE	Surface
IP RATING	IP66

FEATURES & OPTIONS



- 01. CW
- 02. NW
- 03. WW
- 04. DW
- 05. RGB
- 06. RGBW
- 07. IP66
- 08. ANTI-SALINE
- 09. POLAR
- 10. DMX
- 11. RDM

DIMENSIONS



*all units are in mm

OPTIC SELECTION



4°

LED	Lumens	Watts	Efficacy
WHITE	4762.10	70.00	68.03

CenterBeamLux	Illuminance at Distance
21545.37 lx	05.0 m
5384.25 lx	10.0 m
2389.23 lx	15.0 m
1345.04 lx	20.0 m
857.96 lx	25.0 m
595.91 lx	30.0 m

Ver. Spread: 4.1° Horiz. Spread: 4.2°



10°

LED	Lumens	Watts	Efficacy
WHITE	4908.40	70.00	72.12

CenterBeamLux	Illuminance at Distance
3356.59 lx	05.0 m
838.21 lx	10.0 m
370.21 lx	15.0 m
211.43 lx	20.0 m
131.43 lx	25.0 m
90.61 lx	30.0 m

Ver. Spread: 11.3° Horiz. Spread: 11.5°

3000K

INSTA LAND 42

The built in power supply makes the installation easier, Various beam angles offer from long range spot to flood, Flexible mounting methods, customizations are available.



SPECIFICATION

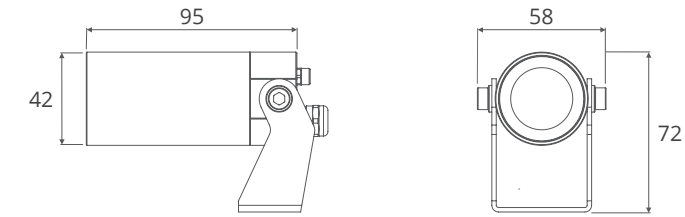
MODEL	INSTA LAND 42
OPERATING VOLTAGE	24V DC, AC200-240V
POWER CONSUMPTION	6W Max
LED TYPE	High Power LED
COLOUR TEMP OPTION	2700K, 3000K, 3500K, 4000K, 5000K, RGB, RGBW
CRI	90min, 80min
PRODUCT EFFICACY	72lm/W@3000K
FULL WIDTH AT HALF MAXIMUM (OPTICS)	10°, 15°, 24°, 36°, 55°
MATERIAL	Aluminum + Tempered Glass
AMBIENT OPERATING TEMPERATURE	-20°C ~ +55°C
STORAGE TEMPERATURE	-25°C ~ +60°C
LIFETIME	50,000 hours / L70 at 25°C
DIMENSIONS	Ø42*95(L)*72 (H)mm
CABLE LENGTH	300mm
CONTROL SYSTEM	ON/OFF, DMX, 0-10V Dim
MOUNTING TYPE	Surface
IP RATING	IP66

FEATURES & OPTIONS



- | | | |
|---------|-----------------------|--------------------------|
| 01. CW | 05. DYNAMIC CONTROL | 09. EXTREME ENVIRONMENTS |
| 02. NW | 06. IP66 | 10. DMX |
| 03. WW | 07. ADJUSTABLE | |
| 04. RGB | 08. EASY INSTALLATION | |

DIMENSIONS



TopHat(TH)



Honey Comb(HC)



Mounting Spike(MTS)



*all units are in mm

OPTIC SELECTION



15°

LED	Lumens	Watts	Efficacy
WHITE	421.38	6.00	70.23

CenterBeamLux	Illuminance at Distance
3240.14 lx	0.8 m
810.18 lx	1.7 m
360.02 lx	2.5 m
203.16 lx	3.3 m
128.41 lx	4.2 m
90.22 lx	5.0 m

Ver. Spread: 14.3° Horiz. Spread: 13.7°



36°

LED	Lumens	Watts	Efficacy
WHITE	432.00	6.00	72.00

CenterBeamLux	Illuminance at Distance
957.88 lx	0.8 m
249.45 lx	1.7 m
108.02 lx	2.5 m
63.78 lx	3.3 m
37.76 lx	4.2 m
26.17 lx	5.0 m

Ver. Spread: 36.4° Horiz. Spread: 36.9°

3000K

LAND 45

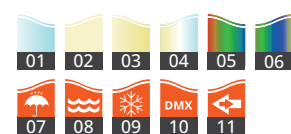
4 in 1 LED and Optic generates smooth colour under RGBW version, Compact and simple structure offers high lumen efficiency...



SPECIFICATION

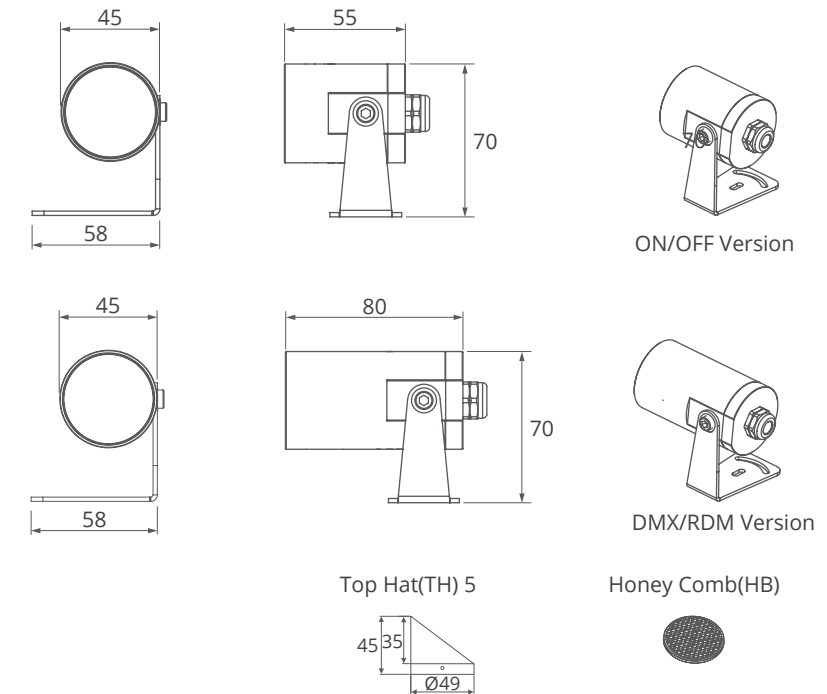
MODEL	LAND 45
OPERATING VOLTAGE	24V DC
POWER CONSUMPTION	6W Max
LED TYPE	High power LED
COLOUR TEMP OPTION	2700K, 3000K, 3500K, 4000K, 5000K, Tunable White, RGB, RGBW
CRI	90min, 80min
PRODUCT EFFICACY	76.40lm/W@3000K
FULL WIDTH AT HALF MAXIMUM (OPTICS)	5°, 8°, 15°, 24°, 36°, 45°, 8°*50°, 20°*40°
MATERIAL	Aluminum + Tempered Glass
AMBIENT OPERATING TEMPERATURE	-20°C ~ +55°C
STORAGE TEMPERATURE	-25°C ~ +60°C
LIFETIME	50,000~7,000 hours / L70 at 25°C
DIMENSIONS	45(L)*55(W)*70(H)mm(ON/OFF Version), 45(L)*80(W)*70(H) mm(DMX Version)
CABLE LENGTH	500mm
CONTROL SYSTEM	ON/OFF, DMX/RDM
MOUNTING TYPE	Surface
IP RATING	IP67

FEATURES & OPTIONS



- 01. CW
- 02. NW
- 03. WW
- 04. DW
- 05. RGB
- 06. RGBW
- 07. IP67
- 08. ANTI-SALINE
- 09. POLAR
- 10. DMX
- 11. RDM

DIMENSIONS



*all units are in mm

OPTIC SELECTION



8°

LED	Lumens	Watts	Efficacy
WHITE	385.80	6.00	64.30

CenterBeamLux	Illuminance at Distance
37783.58 lx	0.8 m
9445.90 lx	1.7 m
4198.18 lx	2.5 m
2361.47 lx	3.3 m
1511.34 lx	4.2 m
1049.54 lx	5.0 m

Ver. Spread: 8.1° Horiz. Spread: 8.5°



24°

LED	Lumens	Watts	Efficacy
WHITE	458.40	6.00	76.40

CenterBeamLux	Illuminance at Distance
1820.86 lx	0.8 m
425.22 lx	1.7 m
200.10 lx	2.5 m
121.30 lx	3.3 m
84.83 lx	4.2 m
65.02 lx	5.0 m

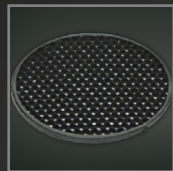
Ver. Spread: 24.7° Horiz. Spread: 25.7°

3000K

LAND 65

LANDwave

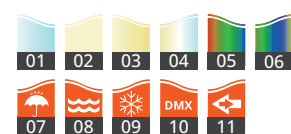
Compatible with COB or MR16 light source, The built in power supply makes the installation easier, Various beam angles offer from long range spot to flood, Flexible mounting methods, customizations are available.



SPECIFICATION

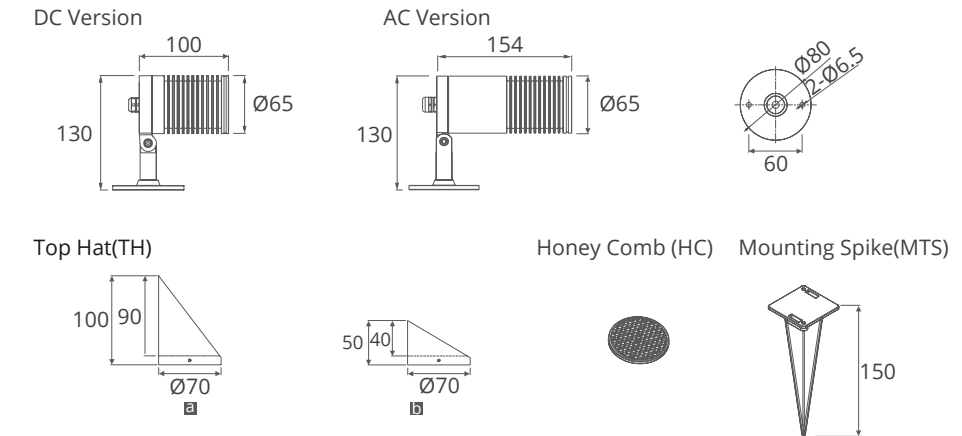
MODEL	LAND 65
OPERATING VOLTAGE	24V DC, AC 100-220V
POWER CONSUMPTION	12W Max
LED TYPE	COB, 4in1 High Power LED
COLOUR TEMP OPTION	2700K, 3000K, 4000K, 5000K, Tunable White, RGB, RGBW
CRI	90min
PRODUCT EFFICACY	76lm/W@3000K
FULL WIDTH AT HALF MAXIMUM (OPTICS)	3°, 10°, 15°, 24°, 38°, 55°
MATERIAL	Aluminum + Tempered Glass
AMBIENT OPERATING TEMPERATURE	-20°C ~ +55°C
STORAGE TEMPERATURE	-25°C ~ +60°C
LIFETIME	50,000 hours/L70 at 25°C
DIMENSIONS	Ø65*100(L)*130(H)mm(DC VERSION), Ø65*154(L)*130(H)mm(AC VERSION)
CABLE LENGTH	1000mm
CONTROL SYSTEM	ON/OFF, DMX/RDM, Triac Dim, 0-10V Dim
MOUNTING TYPE	Surface
IP RATING	IP67

FEATURES & OPTIONS



- | | | |
|--------|-----------------|-----------|
| 01. CW | 05. RGB | 09. POLAR |
| 02. NW | 06. RGBW | 10. DMX |
| 03. WW | 07. IP67 | 11. RDM |
| 04. DW | 08. ANTI-SALINE | |

DIMENSIONS



*all units are in mm

OPTIC SELECTION



3°

CenterBeamLux	Illuminance at Distance
168370.80 lx	0.8 m
42092.71 lx	1.7 m
18707.87 lx	2.5 m
10523.18 lx	3.3m
6734.83 lx	4.2 m
4676.97 lx	5.0 m

Ver. Spread: 3.0° Horiz. Spread: 3.1°



10°

CenterBeamLux	Illuminance at Distance
28869.29 lx	0.8 m
7218.36 lx	1.7 m
3208.14 lx	2.5 m
1804.57 lx	3.3 m
1154.92 lx	4.2 m
802.02 lx	5.0 m

Ver. Spread: 9.9° Horiz. Spread: 8.7°



38°

CenterBeamLux	Illuminance at Distance
2208.78 lx	0.8 m
552.19 lx	1.7 m
245.42 lx	2.5 m
138.05 lx	3.3 m
88.35 lx	4.2 m
61.36 lx	5.0 m

Ver. Spread: 39.4° Horiz. Spread: 38.9°

3000K

LED	Lumens	Watts	Efficacy
WHITE	782.80	10.30	76.00

INSTA LAND 75

Compatible with COB or MR16 light source,
The built in power supply makes the installation easier,
Various beam angles offer from long range spot to flood,
Flexible mounting methods, customizations are available.



SPECIFICATION

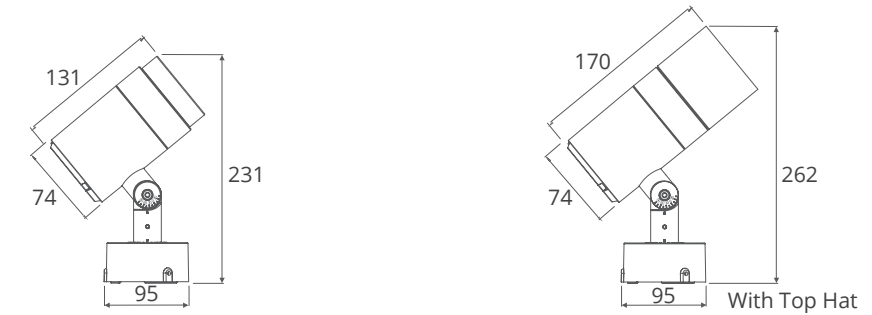
MODEL	INSTA LAND 75
OPERATING VOLTAGE	24V DC, AC200-240V
POWER CONSUMPTION	12W Max
LED TYPE	COB, High Power LED
COLOUR TEMP OPTION	2700K, 3000K, 3500K, 4000K, 5000K, RGB, RGBW
CRI	90min, 80min
PRODUCT EFFICACY	76lm/W@3000K
FULL WIDTH AT HALF MAXIMUM (OPTICS)	10°, 15°, 24°, 36°, 55°
MATERIAL	Aluminum + Tempered Glass
AMBIENT OPERATING TEMPERATURE	-20°C ~ +55°C
STORAGE TEMPERATURE	-25°C ~ +60°C
LIFE TIME	50,000 hours/L70 at 25°C
DIMENSIONS	Ø74*131(L)*231(H)mm, Ø74*170(L)*262(H)mm(With Top Hat)
CABLE LENGTH	300mm
CONTROL SYSTEM	ON/OFF, DMX/RDM, Triac Dim, 0-10V Dim
MOUNTING TYPE	Surface
IP RATING	IP66

FEATURES & OPTIONS



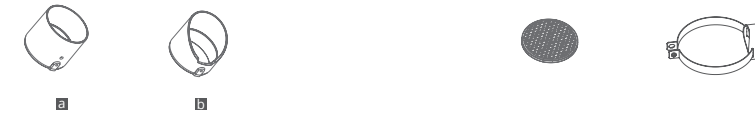
- | | | |
|---------|-----------------------|--------------------------|
| 01. CW | 05. DYNAMIC CONTROL | 09. EXTREME ENVIRONMENTS |
| 02. NW | 06. IP66 | |
| 03. WW | 07. ADJUSTABLE | 10. DMX |
| 04. RGB | 08. EASY INSTALLATION | |

DIMENSIONS



Top Hat (TH)

Honey Comb (HC) Hooping (HP)



*all units are in mm

OPTIC SELECTION



15°

LED	Lumens	Watts	Efficacy
WHITE	852.00	12.00	71.00

CenterBeamLux	Illuminance at Distance
6480.29 lx	0.8m
1620.36 lx	1.7m
720.04 lx	2.5m
405.57 lx	3.3m
259.92 lx	4.2m
180.02 lx	5.0m

■ Ver. Spread: 14.3° ■ Horiz. Spread: 13.7°



36°

LED	Lumens	Watts	Efficacy
WHITE	782.80	10.30	76.00

CenterBeamLux	Illuminance at Distance
1650.48 lx	0.8m
430.15 lx	1.7m
186.25 lx	2.5m
110.04 lx	3.3m
65.86 lx	4.2m
45.57 lx	5.0m

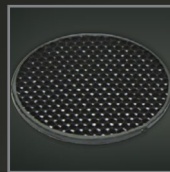
■ Ver. Spread: 36.4° ■ Horiz. Spread: 36.9°

3000K

LAND 85

The built in power supply makes the installation easier, Various top hats, honey louvers are available, Various mounting methods contain varying from spike to surface brackets.

LAND ave



SPECIFICATION

MODEL	LAND 85
OPERATING VOLTAGE	24V DC, AC 100-240V
POWER CONSUMPTION	20W Max
LED TYPE	COB, High Power LED
COLOUR TEMP OPTION	2700K, 3000K, 4000K, 5000K, RGB, RGBW
CRI	90min, 80min
PRODUCT EFFICACY	85lm/W@3000K
FULL WIDTH AT HALF MAXIMUM (OPTICS)	6°, 10°, 25°, 40°
MATERIAL	Aluminum + Tempered Glass
AMBIENT OPERATING TEMPERATURE	-20°C ~ +55°C
STORAGE TEMPERATURE	-25°C ~ +60°C
LIFETIME	50,000 hours/L70 at 25°C
DIMENSIONS	Ø85*170(H)mm
CABLE LENGTH	1000mm
CONTROL SYSTEM	ON/OFF, DMX/RDM, 0-10V Dim
MOUNTING TYPE	Surface
IP RATING	IP67

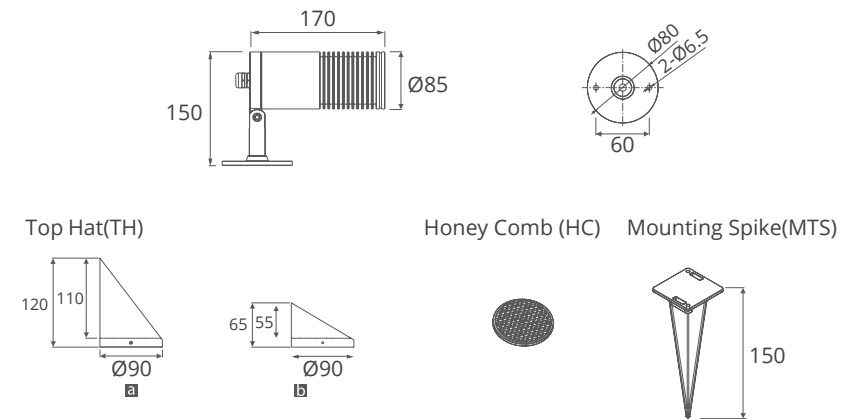
FEATURES & OPTIONS



- | | | |
|--------|-----------------|-----------|
| 01. CW | 04. RGBW | 07. POLAR |
| 02. NW | 05. IP67 | 08. DMX |
| 03. WW | 06. ANTI-SALINE | 09. RDM |

*All rights reserved. Specification may change without prior notice

DIMENSIONS



*all units are in mm

OPTIC SELECTION



10°

LED	Lumens	Watts	Efficacy
WHITE	1491.00	20.00	74.55

CenterBeamLux	Illuminance at Distance
996.15 lx	02.0 m
247.66 lx	04.0 m
109.72 lx	06.0m
62.01 lx	08.0m
40.75 lx	10.0 m
28.43 lx	12.0 m

Ver. Spread: 12.0° Horiz. Spread: 11.0°



25°

LED	Lumens	Watts	Efficacy
WHITE	1653.00	20.00	82.65

CenterBeamLux	Illuminance at Distance
934.07 lx	02.0 m
233.09 lx	04.0 m
103.31 lx	06.0 m
58.11 lx	08.0 m
36.81 lx	10.0 m
25.86 lx	12.0 m

Ver. Spread: 23.0° Horiz. Spread: 22.0°



40°

LED	Lumens	Watts	Efficacy
WHITE	1706.40	20.00	85.32

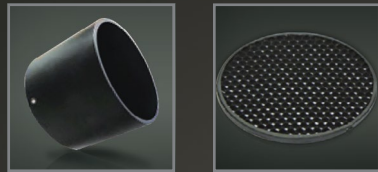
CenterBeamLux	Illuminance at Distance
857.86 lx	02.0m
214.15 lx	04.0m
94.75 lx	06.0m
53.75 lx	08.0m
34.55 lx	10.0m
23.65 lx	12.0m

Ver. Spread: 41.0° Horiz. Spread: 39.0°

3000K

INSTA LAND 95

Compatible with COB or MR16 light source,
The built in power supply makes the installation easier,
Various beam angles offer from long range spot to flood,
Flexible mounting methods, customizations are available.



SPECIFICATION

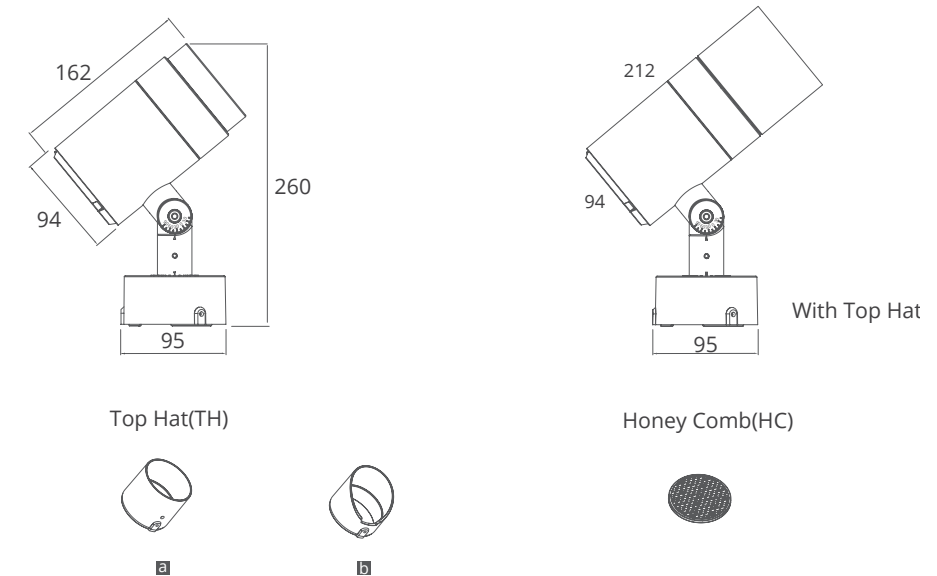
MODEL	INSTA LAND 95
OPERATING VOLTAGE	24V DC, AC200-240V
POWER CONSUMPTION	25W Max
LED TYPE	COB, High Power LED
COLOUR TEMP OPTION	2700K, 3000K, 3500K, 4000K, 5000K, RGB, RGBW
CRI	90min, 80min
PRODUCT EFFICACY	74lm / W@3000K
FULL WIDTH AT HALF MAXIMUM (OPTICS)	12°, 15°, 24°, 36°, 55°, 10°*30°
MATERIAL	Aluminum + Tempered Glass
AMBIENT OPERATING TEMPERATURE	-20°C ~ +55°C
STORAGE TEMPERATURE	-25°C ~ +60°C
LIFETIME	50,000 hours / L70 at 25°C
DIMENSIONS	Ø94*162(L)*220(H) mm, Ø94*212(L)*257(H)mm(With Top Hat)
CABLE LENGTH	300mm
CONTROL SYSTEM	ON/OFF, DMX/RDM, Triac Dim, 0-10V Dim
MOUNTING TYPE	Surface
IP RATING	IP66

FEATURES & OPTIONS



- 01. CW
- 02. NW
- 03. WW
- 04. RGB
- 05. DYNAMIC CONTROL
- 06. IP66
- 07. ADJUSTABLE
- 08. EASY INSTALLATION
- 09. EXTREME ENVIRONMENTS
- 10. DMX

DIMENSIONS



*all units are in mm

OPTIC SELECTION



15°

LED	Lumens	Watts	Efficacy
WHITE	1750.00	25.00	70.00

CenterBeamLux	Illuminance at Distance
13309.85 lx	0.8 m
3327.46 lx	1.7 m
1440.04 lx	2.5 m
810.57 lx	3.3 m
519.82 lx	4.2 m
360.12 lx	5.0 m

Ver. Spread: 14.3° Horiz. Spread: 13.7°



36°

LED	Lumens	Watts	Efficacy
WHITE	1850.00	25.00	74.00

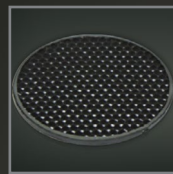
CenterBeamLux	Illuminance at Distance
4016.44 lx	0.8 m
1046.71 lx	1.7 m
452.76 lx	2.5 m
267.76 lx	3.3 m
158.22 lx	4.2 m
109.57 lx	5.0 m

Ver. Spread: 35.4° Horiz. Spread: 35.1°

3000K

LAND 110

The built in power supply makes the installation easier, Various top hats, honey louvers are available, Various mounting methods contain varying from spike to surface brackets.



SPECIFICATION

MODEL	LAND 110
OPERATING VOLTAGE	AC 100-240V
POWER CONSUMPTION	30W Max
LED TYPE	COB, High Power LED
COLOUR TEMP OPTION	2700K, 3000K, 4000K, 5000K, RGB, RGBW
CRI	90min, 80min
PRODUCT EFFICACY	91lm/W@3000K
FULL WIDTH AT HALF MAXIMUM (OPTICS)	6°, 10°, 25°, 40°
MATERIAL	Aluminum + Tempered Glass
AMBIENT OPERATING TEMPERATURE	-20°C ~ +55°C
STORAGE TEMPERATURE	-25°C ~ +60°C
LIFETIME	50,000 hours/L70 at 25°C
DIMENSIONS	Ø110*310 (H)mm
CABLE LENGTH	1000mm
CONTROL SYSTEM	ON/OFF, DMX/RDM, 0-10V Dim
MOUNTING TYPE	Surface
IP RATING	IP67

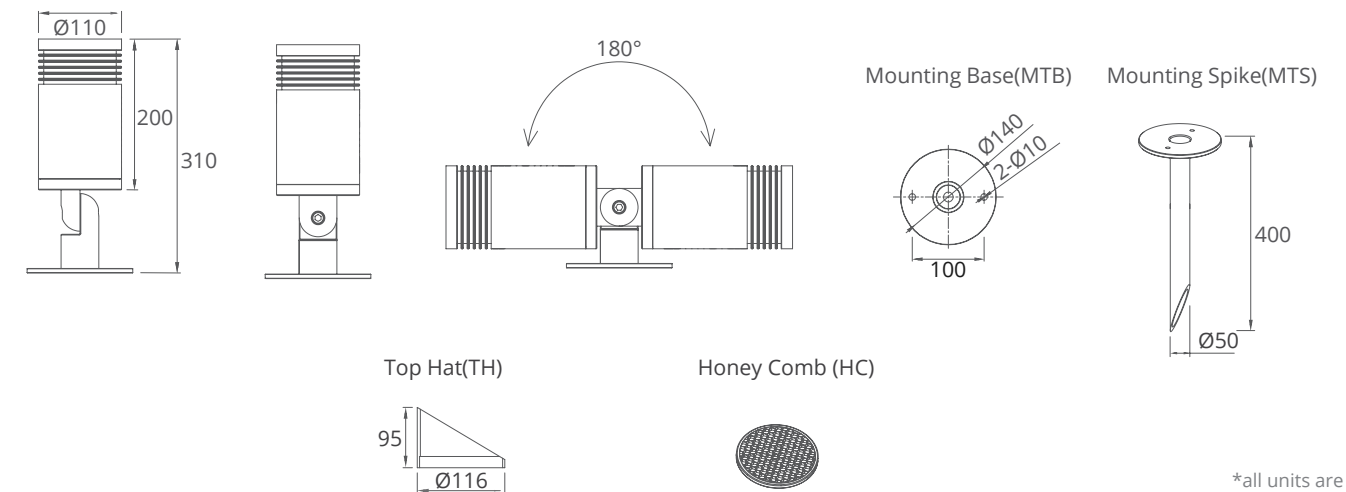
FEATURES & OPTIONS



- 01. CW
- 02. NW
- 03. WW
- 04. RGB
- 05. RGBW
- 06. IP67
- 07. ANTI-SALINE
- 08. POLAR
- 09. DMX
- 10. RDM

*All rights reserved. Specification may change without prior notice

DIMENSIONS



*all units are in mm

OPTIC SELECTION



10°

LED	Lumens	Watts	Efficacy
WHITE	2378.24	30.00	79.27

CenterBeamLux	Illuminance at Distance
1582.77 lx	02.0 m
395.69 lx	04.0 m
175.41 lx	06.0m
98.91 lx	08.0m
98.91 lx	10.0 m
45.35 lx	12.0 m

Ver. Spread: 12.0° Horiz. Spread: 11.0°



25°

LED	Lumens	Watts	Efficacy
WHITE	2560.00	30.00	85.33

CenterBeamLux	Illuminance at Distance
1446.60 lx	02.0 m
361.90 lx	04.0 m
160.96 lx	06.0 m
90.22 lx	08.0 m
57.41 lx	10.0 m
39.98 lx	12.0 m

Ver. Spread: 23.0° Horiz. Spread: 22.0°



40°

LED	Lumens	Watts	Efficacy
WHITE	2741.70	30.00	91.36

CenterBeamLux	Illuminance at Distance
1378.43 lx	02.0m
344.30 lx	04.0m
152.20 lx	06.0m
86.35 lx	08.0m
55.51 lx	10.0m
37.78 lx	12.0m

Ver. Spread: 41.0° Horiz. Spread: 39.0°

3000K

INSTA LAND 115

Compatible with COB light source, The built in power supply makes the installation easier, Various beam angles offer from long range spot to flood, Flexible mounting methods, customizations are available.



SPECIFICATION

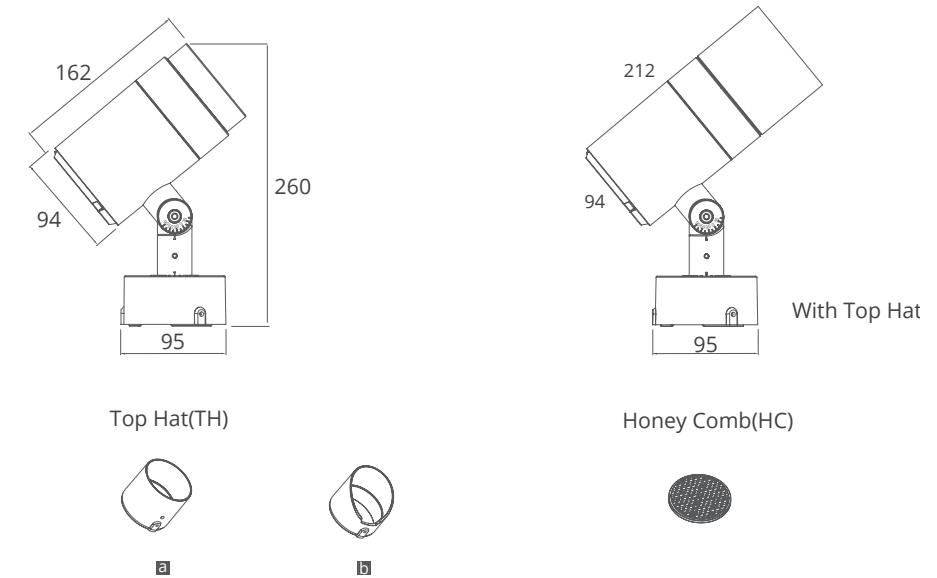
MODEL	INSTA LAND 115
OPERATING VOLTAGE	24V DC, AC200-240V
POWER CONSUMPTION	40W Max
LED TYPE	COB, High Power LED
COLOUR TEMP OPTION	2700K, 3000K, 3500K, 4000K, 5000K, RGB, RGBW
CRI	90min, 80min
PRODUCT EFFICACY	71lm/W@3000K
FULL WIDTH AT HALF MAXIMUM (OPTICS)	12°, 15°, 24°, 36°, 55°, 10°*30°
MATERIAL	Aluminum + Tempered Glass
AMBIENT OPERATING TEMPERATURE	-20°C ~ +55°C
STORAGE TEMPERATURE	-25°C ~ +60°C
LIFETIME	50,000 hours/L70 at 25°C
DIMENSIONS	Ø114*196(L)*300(H)mm, Ø114*253(L)*330(H)mm(With Top Hat)
CABLE LENGTH	300mm
CONTROL SYSTEM	ON/OFF, DMX/RDM, Triac Dim, 0-10V Dim
MOUNTING TYPE	Surface
IP RATING	IP66

FEATURES & OPTIONS



- 01. CW
- 02. NW
- 03. WW
- 04. RGB
- 05. DYNAMIC CONTROL
- 06. IP66
- 07. ADJUSTABLE
- 08. EASY INSTALLATION
- 09. EXTREME ENVIRONMENTS
- 10. DMX

DIMENSIONS



OPTIC SELECTION



15°

LED	Lumens	Watts	Efficacy
WHITE	2720.00	40.00	68.00

CenterBeamLux	Illuminance at Distance
20685.95 lx	0.8 m
5170.46 lx	1.7 m
2238.17 lx	2.5 m
1258.97 lx	3.3 m
806.67 lx	4.2 m
559.52 lx	5.0 m

Ver. Spread: 14.3° Horiz. Spread: 13.7°



36°

LED	Lumens	Watts	Efficacy
WHITE	2840.00	40.00	71.00

CenterBeamLux	Illuminance at Distance
6165.10 lx	0.8 m
1605.75 lx	1.7 m
693.88 lx	2.5 m
409.88 lx	3.3 m
242.55 lx	4.2 m
167.32w lx	5.0 m

Ver. Spread: 35.4° Horiz. Spread: 35.1°

3000K

INSTA LAND SPOT 185SQ



Generates extremely high lumen output basing on good thermal management, Delivers strong light intensity by extremely narrow beam, Robust structure proven to be ultra-stable under extremely weather conditions, 4 in 1 LED and optic creates smooth colour under RGBW option.



SPECIFICATION

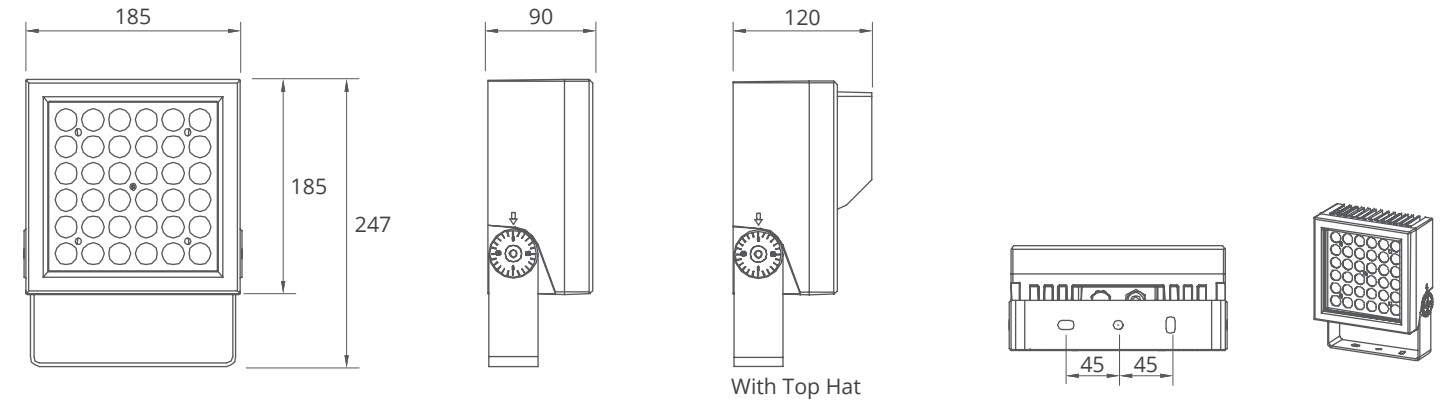
MODEL	INSTA LAND SPOT 185SQ
OPERATING VOLTAGE	24V DC, AC200~240V
POWER CONSUMPTION	36W
LED TYPE	High Power LED
COLOUR TEMP OPTION	2700K, 3000K, 3500K, 4000K, 5000K, Tunable White, RGB, RGBW
CRI	90min, 80min
PRODUCT EFFICACY	74.20lm/W@3000K
FULL WIDTH AT HALF MAXIMUM (OPTICS)	10°, 15°, 24°, 36°, 45°, 8°*60°, 20°*40°
MATERIAL	Aluminum + Tempered Glass
AMBIENT OPERATING TEMPERATURE	-20°C ~ +55°C
STORAGE TEMPERATURE	-25°C ~ +60°C
LIFETIME	50,000~7,000 hours /L70at 25°C
DIMENSIONS	247(L)*185(W)*90(H)mm
CABLE LENGTH	300mm
CONTROL SYSTEM	ON/OFF, DALI, DMX, Triac Dim, 0-10V Dim
MOUNTING TYPE	Surface
IP RATING	IP66

FEATURES & OPTIONS



- 01. RGBW
- 02. DIMMABLE
- 03. DYNAMIC CONTROL
- 04. IP66
- 05. ADJUSTABLE
- 06. EASY INSTALLATION
- 07. EXTREME ENVIRONMENTS

DIMENSIONS



*all units are in mm

OPTIC SELECTION



15°

LED	Lumens	Watts	Efficacy
WHITE	2560.32	36.00	71.12

CenterBeamLux	Illuminance at Distance
4140.39 lx	02.5 m
1010.87 lx	05.0 m
435.24 lx	07.5 m
241.22 lx	10.0 m
157.12 lx	12.5 m
102.39 lx	15.0 m

Ver. Spread: 14.5° Horiz. Spread: 14.1°



36°

LED	Lumens	Watts	Efficacy
WHITE	2671.20	36.00	74.20

CenterBeamLux	Illuminance at Distance
1522.54 lx	02.5 m
366.83 lx	05.0 m
167.42 lx	07.5 m
78.36 lx	10.0 m
63.22 lx	12.5 m
43.88 lx	15.0 m

Ver. Spread: 35.3° Horiz. Spread: 34.2°

3000K

INSTA SPOT 220 SQ

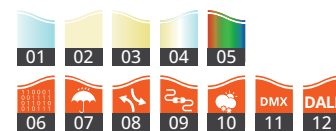
Generates extremely high lumen output basing on good thermal management, Delivers strong light intensity by extremely narrow beam, Robust structure proven to be ultra-stable under extremely weather conditions, 4 in 1 LED and optic creates smooth colour under RGBW option.



SPECIFICATION

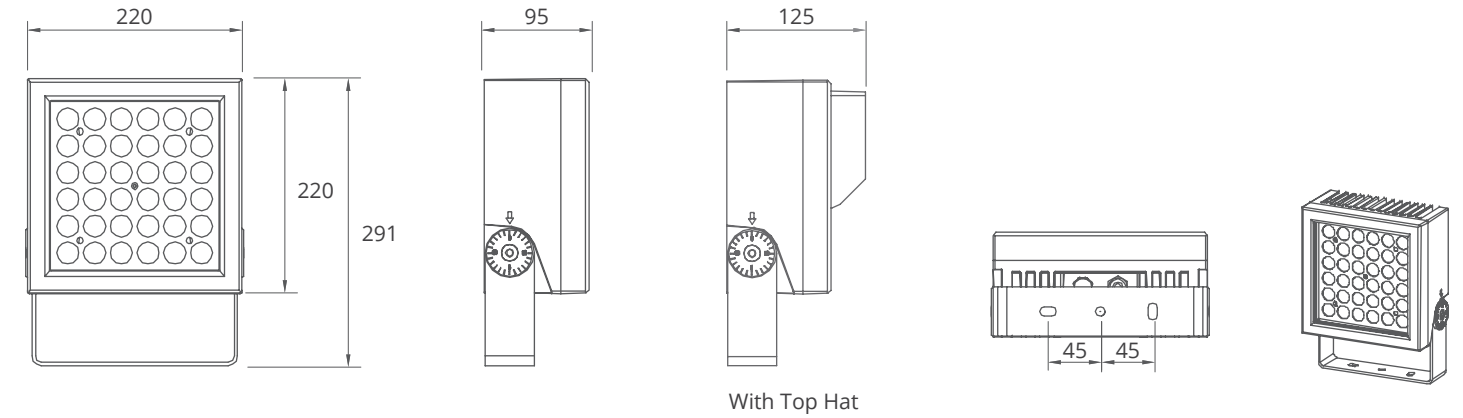
MODEL	INSTA SPOT 220 SQ
OPERATING VOLTAGE	24V DC, AC200~240V
POWER CONSUMPTION	60W
LED TYPE	High Power LED
COLOUR TEMP OPTION	2700K, 3000K, 3500K, 4000K, 5000K, Tunable White, RGB, RGBW
CRI	90min, 80min
PRODUCT EFFICACY	72.75lm/W@3000K
FULL WIDTH AT HALF MAXIMUM (OPTICS)	10°, 15°, 24°, 36°, 45°, 8°*60°, 20°*40°
MATERIAL	Aluminum + Tempered Glass
AMBIENT OPERATING TEMPERATURE	-20°C ~ +55°C
STORAGE TEMPERATURE	-25°C ~ +60°C
LIFETIME	50,000~7,000 hours at 70% Lumen Maintenance
DIMENSIONS	291(L)*220(W)*95(H)mm
CABLE LENGTH	300mm
CONTROL SYSTEM	ON/OFF, DALI, DMX, Triac Dim, 0-10V Dim
MOUNTING TYPE	Surface
IP RATING	IP66

FEATURES & OPTIONS



- | | | | |
|--------|---------------------|-----------------------|--------------------------|
| 01. CW | 05. RGB | 08. ADJUSTABLE | 10. EXTREME ENVIRONMENTS |
| 02. NW | 06. DYNAMIC CONTROL | 09. EASY INSTALLATION | 11. DMX |
| 03. WW | 07. IP66 | | 12. DALI |
| 04. DW | | | |

DIMENSIONS



*all units are in mm

OPTIC SELECTION



15°

LED	Lumens	Watts	Efficacy
WHITE	4203.00	60.00	70.05

CenterBeamLux	Illuminance at Distance
6913.81 lx	02.5 m
1688.17 lx	05.0 m
726.45 lx	07.5 m
401.42 lx	10.0 m
266.92 lx	12.5 m
174.43 lx	15.0 m

■ Ver. Spread: 14.5° ■ Horiz. Spread: 14.1°



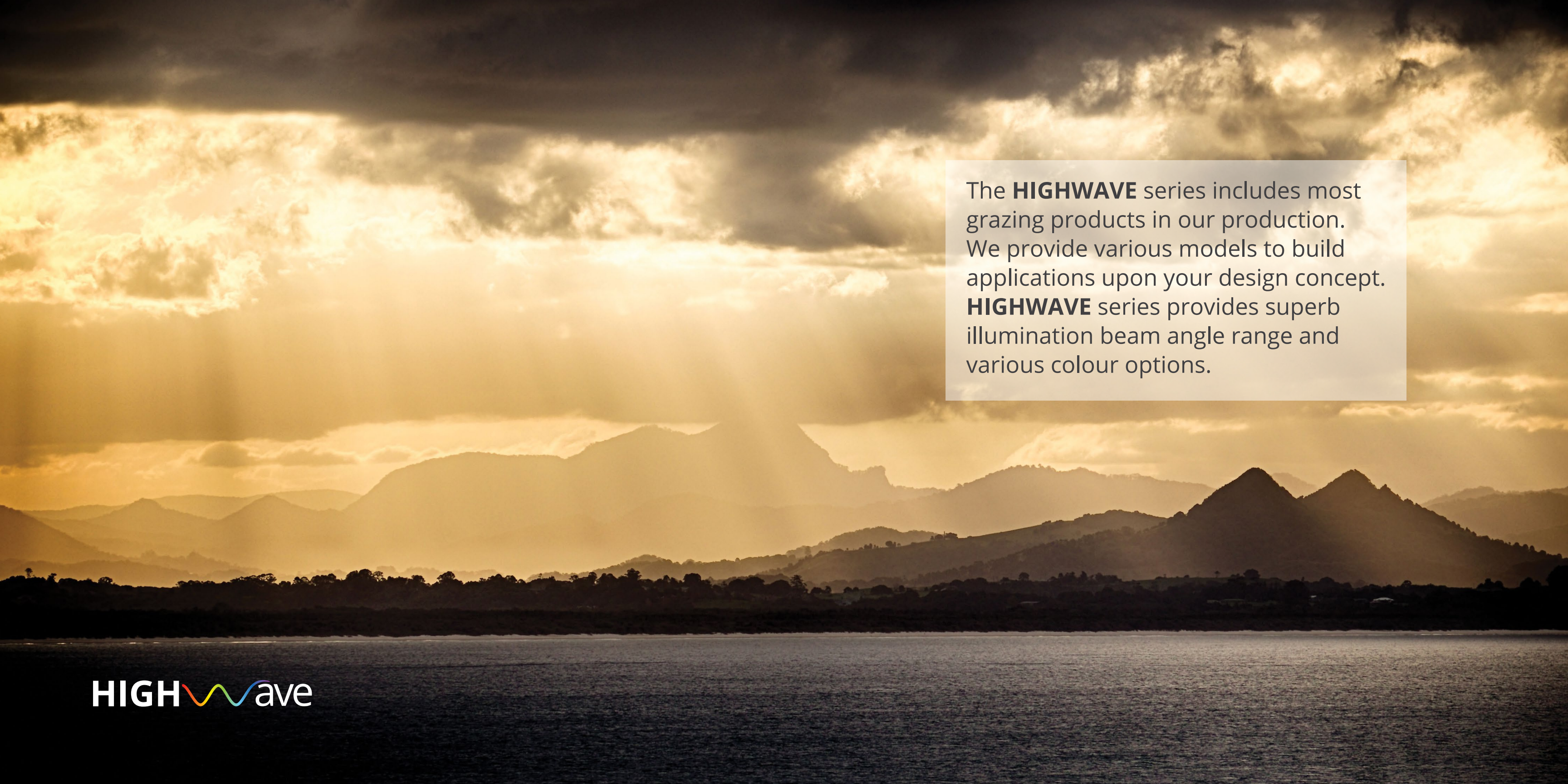
36°

LED	Lumens	Watts	Efficacy
WHITE	4365.00	60.00	72.75

CenterBeamLux	Illuminance at Distance
2587.44 lx	02.5 m
626.23 lx	05.0 m
283.92 lx	07.5 m
132.65 lx	10.0 m
102.42 lx	12.5 m
63.48 lx	15.0 m

■ Ver. Spread: 36.1° ■ Horiz. Spread: 35.7°

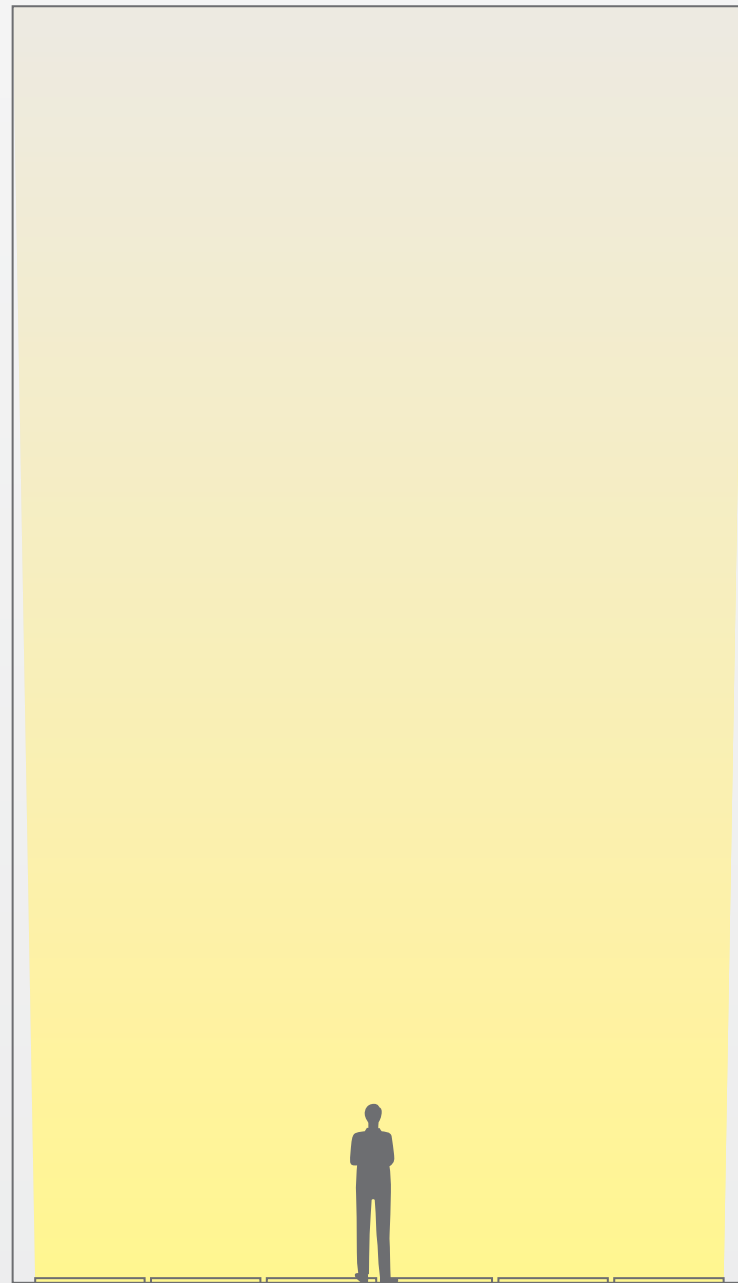
3000K



The **HIGHWAVE** series includes most grazing products in our production. We provide various models to build applications upon your design concept. **HIGHWAVE** series provides superb illumination beam angle range and various colour options.

HIGH  **ave**

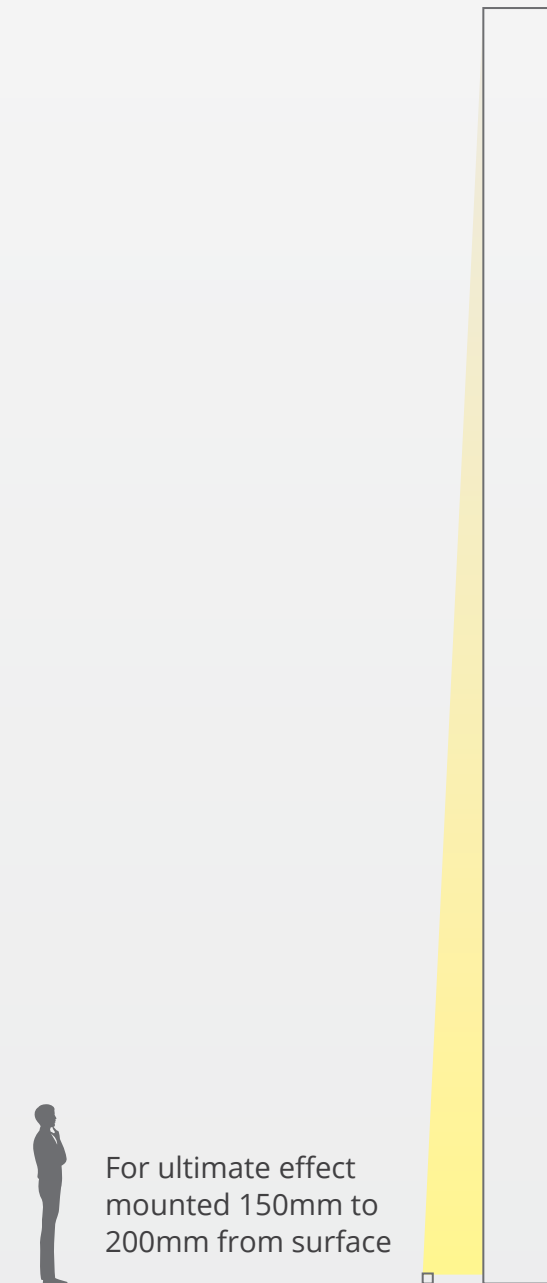
Asymmetric Version
Linear PM Slim
Tilt 2.5deg@11deg



16m at 96w/4ft

Linear PM Slim
ASYMMETRICAL BEAM

2.5deg tilt illumination 12m to 16m
at 96w/4ft, new lens directing light
uniformly on the surface

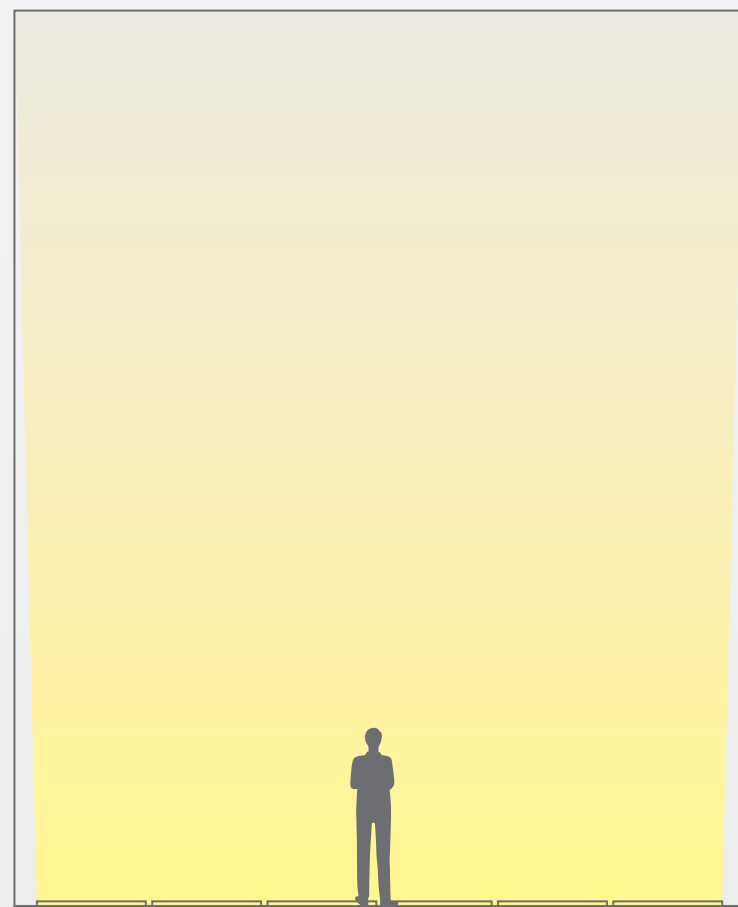


For ultimate effect
mounted 150mm to
200mm from surface

150mm to 200mm

Asymmetric Version
Linear PH AC
Tilt 2.5deg@11deg

LINEAR PH AC
ASYMMETRICAL BEAM
2.5deg tilt illumination 8m to 10m
at 64w/4ft, new lens directing light
uniformly on the surface



10m at 64w/4ft

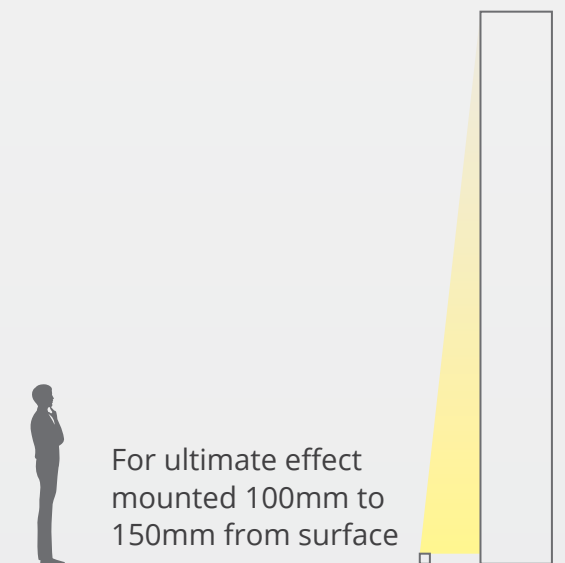
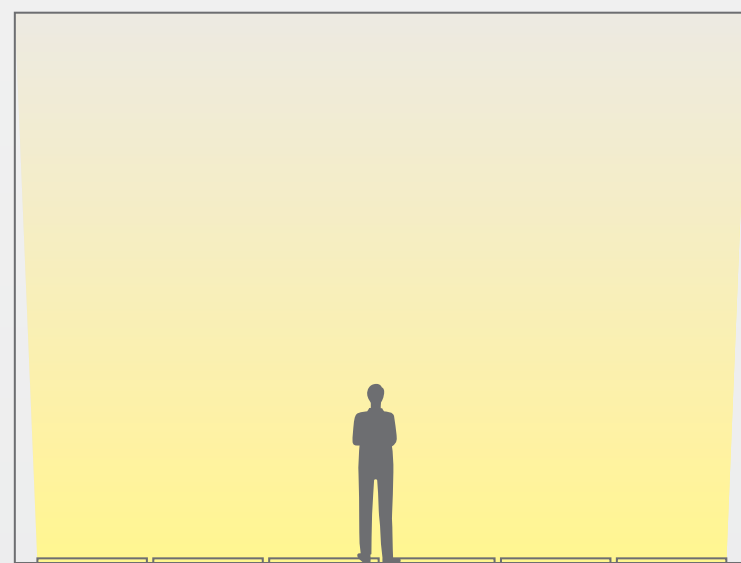


For ultimate effect
mounted 100mm to
150mm from surface

100mm to 150mm

Asymmetric Version
Linear PM AC
Tilt 2.5deg@11deg

LINEAR PM AC
ASYMMETRICAL BEAM
2.5deg tilt illumination 5m
to 6m at 36w/4ft, new lens
directing light uniformly
on the surface

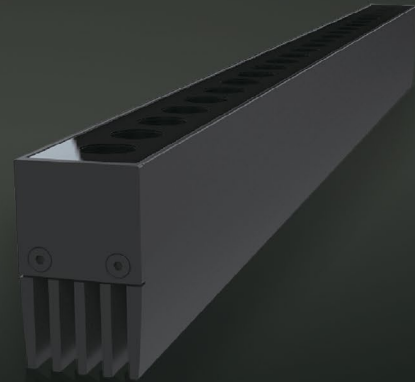
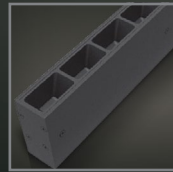


For ultimate effect
mounted 100mm to
150mm from surface

100mm to 150mm

LINEAR SLIM PH DC

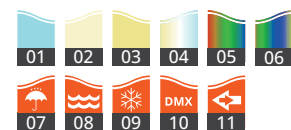
A new cost competitive fixture designed for grazing applications, Superb optic design offers smooth mixture of colours and creates a variety of moods, A fast installation is achieved with quick-plugs, Uniform lighting output by 2 steps or 3 steps bin selection is available upon request.



SPECIFICATION

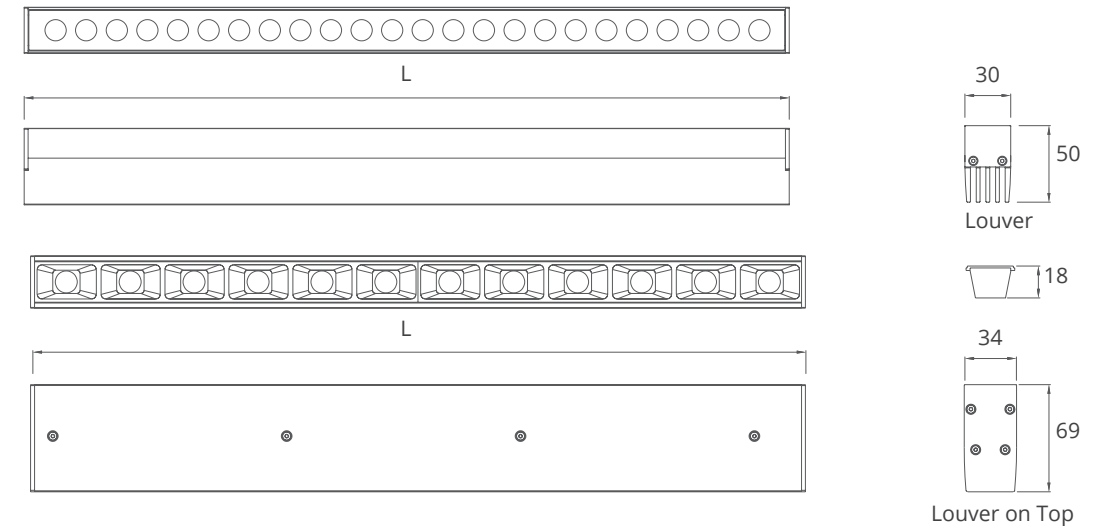
MODEL	LINEAR SLIM PH DC
OPERATING VOLTAGE	24V DC, 48V DC
POWER CONSUMPTION	50W/990mm
LED TYPE	High Power LED
COLOUR TEMP OPTION	2700K 3000K, 4000K, 5000K, 6500K, RGB, RGBW
CRI	90min, 80min
PRODUCT EFFICACY	75lm/W@3000K
FULL WIDTH AT HALF MAXIMUM (OPTICS)	8°, 8°*15°, 8°*30°, 8°*50°, 20°*40°, 30°, 40°
MATERIAL	Aluminum + Tempered Glass
AMBIENT OPERATING TEMPERATURE	-20°C ~ +55°C
STORAGE TEMPERATURE	-25°C ~ +60°C
LIFETIME	50,000 hours/L70 at 25°C
DIMENSIONS	990(L)*30 (W)*50 (H)mm, 990(L)*34 (W)*69 (H)mm (Louver on Top), 255/500/745/1235mm available
CABLE LENGTH	300mm
CONTROL SYSTEM	ON/OFF, DMX/RDM, 0-10V Dim
MOUNTING TYPE	Surface
IP RATING	IP66

FEATURES & OPTIONS

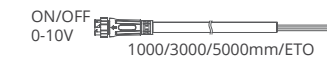
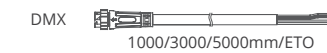


- | | | |
|--------|-----------------|-----------|
| 01. CW | 05. RGB | 09. POLAR |
| 02. NW | 06. RGBW | 10. DMX |
| 03. WW | 07. IP66 | 11. RDM |
| 04. DW | 08. ANTI-SALINE | |

DIMENSIONS



Leader Cable



Jumper Cable



*all units are in mm

OPTIC SELECTION



8°

CenterBeamLux	Illuminance at Distance
4569.49 lx	05.0 m
1142.37 lx	10.0 m
507.72 lx	15.0 m
285.59 lx	20.0 m
182.78 lx	25.0 m
126.93 lx	30.0 m

Ver. Spread: 7.5° Horiz. Spread: 7.5°



8°x50°

CenterBeamLux	Illuminance at Distance
1191.53 lx	05.0 m
297.88 lx	10.0 m
132.39 lx	15.0 m
74.47 lx	20.0 m
47.66 lx	25.0 m
33.10 lx	30.0 m

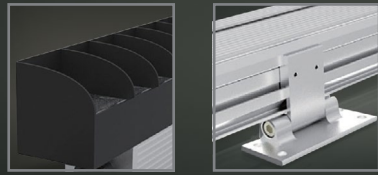
Ver. Spread: 6.5° Horiz. Spread: 48.5°

3000K

LINEAR PH AC

HIGHwave

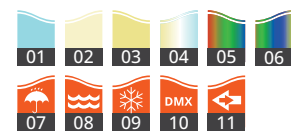
The built in power supply makes for an easier installation, High lumen output is provided by a robust and efficient structure, Various beam angles are available for balancing efficiency and lighting effects. Connection can be extended up to 38 meters.



SPECIFICATION

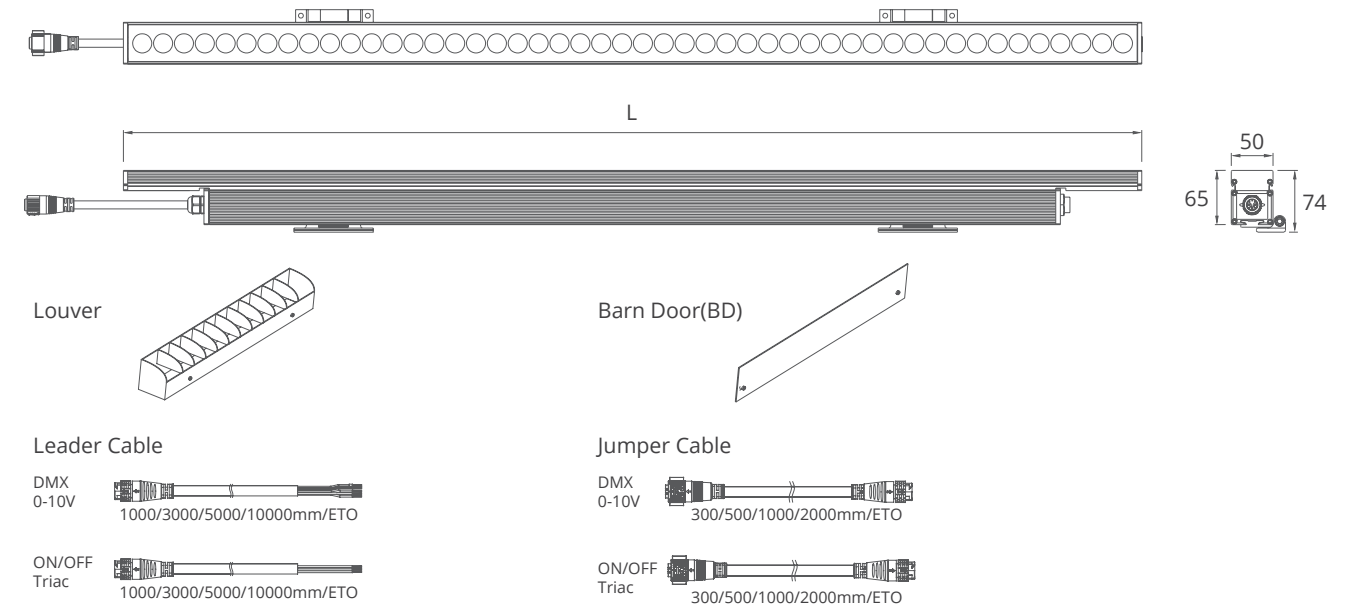
MODEL	LINEAR PH AC
OPERATING VOLTAGE	AC 100-240V
POWER CONSUMPTION	16W/320mm, 64W/ 1220mm
LED TYPE	High Power LED
COLOUR TEMP OPTION	2700K, 3000K, 4000K, 5000K, Tunable White, RGB, RGBW
CRI	90min, 80min
PRODUCT EFFICACY	75lm/W@3000K
FULL WIDTH AT HALF MAXIMUM (OPTICS)	Tilt 2.5@11°, 6°, 8°*15°, 8°*30°, 8°*50°, 20°*40°, 25°, 45°, 60°
MATERIAL	Aluminum + Tempered Glass
AMBIENT OPERATING TEMPERATURE	-20°C ~ +55°C
STORAGE TEMPERATURE	-25°C ~ +60°C
LIFETIME	50,000 hours/L70 at 25°C
DIMENSIONS	1220(L)*50(W)*74(H)mm, 320/620/920mm available
CABLE LENGTH	150mm
CONTROL SYSTEM	ON/OFF, DMXIRDM, TRIAC Dim, 0-10V Dim
MOUNTING TYPE	Surface
IP RATING	IP66

FEATURES & OPTIONS



- | | | |
|--------|-----------------|-----------|
| 01. CW | 05. RGB | 09. POLAR |
| 02. NW | 06. RGBW | 10. DMX |
| 03. WW | 07. IP66 | 11. RDM |
| 04. DW | 08. ANTI-SALINE | |

DIMENSIONS



OPTIC SELECTION

*all units are in mm



6°

LED	Lumens	Watts	Efficacy
WHITE	4607.88	64.00	72.00

CenterBeamLux	Illuminance at Distance
14218.96 lx	05.0 m
3554.74 lx	10.0 m
1579.88 lx	15.0 m
888.69 lx	20.0 m
568.76 lx	25.0 m
394.97 lx	30.0 m

■ Ver. Spread: 5.7° ■ Horiz. Spread: 5.7°



8°x50°

LED	Lumens	Watts	Efficacy
WHITE	4800.00	64.00	75.00

CenterBeamLux	Illuminance at Distance
1527.61 lx	05.0 m
381.90 lx	10.0 m
169.73 lx	15.0 m
95.48 lx	20.0 m
61.10 lx	25.0 m
42.43 lx	30.0 m

■ Ver. Spread: 6.5° ■ Horiz. Spread: 48.5°

3000K

INSTA LINEAR PH DC

A low height profile for limited space,
End to End connection makes installation easier,
Various beam angles are available,
Choose from customized colour temperatures.



SPECIFICATION

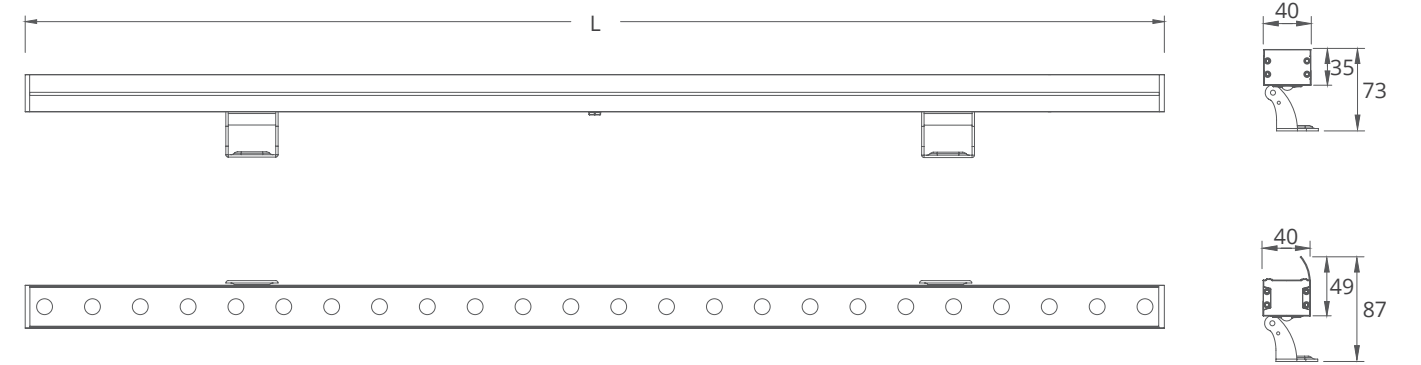
MODEL	INSTA LINEAR PH DC
OPERATING VOLTAGE	24V DC, 48V DC
POWER CONSUMPTION	48W/1000mm Max (6 PXL/M)
LED TYPE	High Power LED
COLOUR TEMP OPTION	2700K, 3000K, 4000K, 5000K, Tunable White, RGB, RGBW
CRI	90min, 80min
PRODUCT EFFICACY	76lm/W@3000K
FULL WIDTH AT HALF MAXIMUM (OPTICS)	Tilt 2.5@11°, 6°, 8°*15°, 8°*30°, 8°*50°, 20°*40°, 25°, 45°, 60°
MATERIAL	Aluminum + Tempered Glass
AMBIENT OPERATING TEMPERATURE	-20°C ~ +55°C
STORAGE TEMPERATURE	-25°C ~ +60°C
LIFETIME	50,000 hours/L70 at 25°C
DIMENSIONS	1000(L)*40(W)*73(H)mm (Adjustable Bracket), 1000(L)*40(W)*87(H)mm (Adjustable Bracket with Barn Door) 300/450/500/1200mm available
CABLE LENGTH	300mm
CONTROL SYSTEM	ON/OFF, DMX, 0-10V Dim
MOUNTING TYPE	Surface
IP RATING	IP66, IP67

FEATURES & OPTIONS



- 01. CW
- 02. NW
- 03. WW
- 04. DW
- 05. RGB
- 06. RGBW
- 07. DYNAMIC CONTROL
- 08. IP66
- 09. ADJUSTABLE
- 10. EASY INSTALLATION
- 11. EXTREME ENVIRONMENTS
- 12. DMX
- 13. IP67

DIMENSIONS



With Barn Door

*all units are in mm

OPTIC SELECTION



LED	Lumens	Watts	Efficacy
WHITE	3604.80	48.00	75.10

CenterBeamLux	Illuminance at Distance
456.61 lx	05.0m
113.77 lx	10.0m
50.46 lx	15.0m
28.61 lx	20.0m
17.66 lx	25.0m
12.01 lx	30.0m

■ Ver. Spread: 21.0° ■ Horiz. Spread: 36.8°



LED	Lumens	Watts	Efficacy
WHITE	3672.00	48.00	76.50

CenterBeamLux	Illuminance at Distance
275.00 lx	05.0m
68.75 lx	10.0m
30.46 lx	15.0m
17.18 lx	20.0m
10.93 lx	25.0m
7.65 lx	30.0m

■ Ver. Spread: 25.8° ■ Horiz. Spread: 26.2°

3000K

LINEAR SLIM PM G3



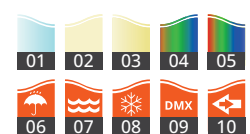
Extremely high lumen output provided by sophisticated designed slim structure, Unique 5 in 1 RGBWW LED bring smooth vivid colour and pure white light, Perfect selection for high wall grazing by linear connection.



SPECIFICATION

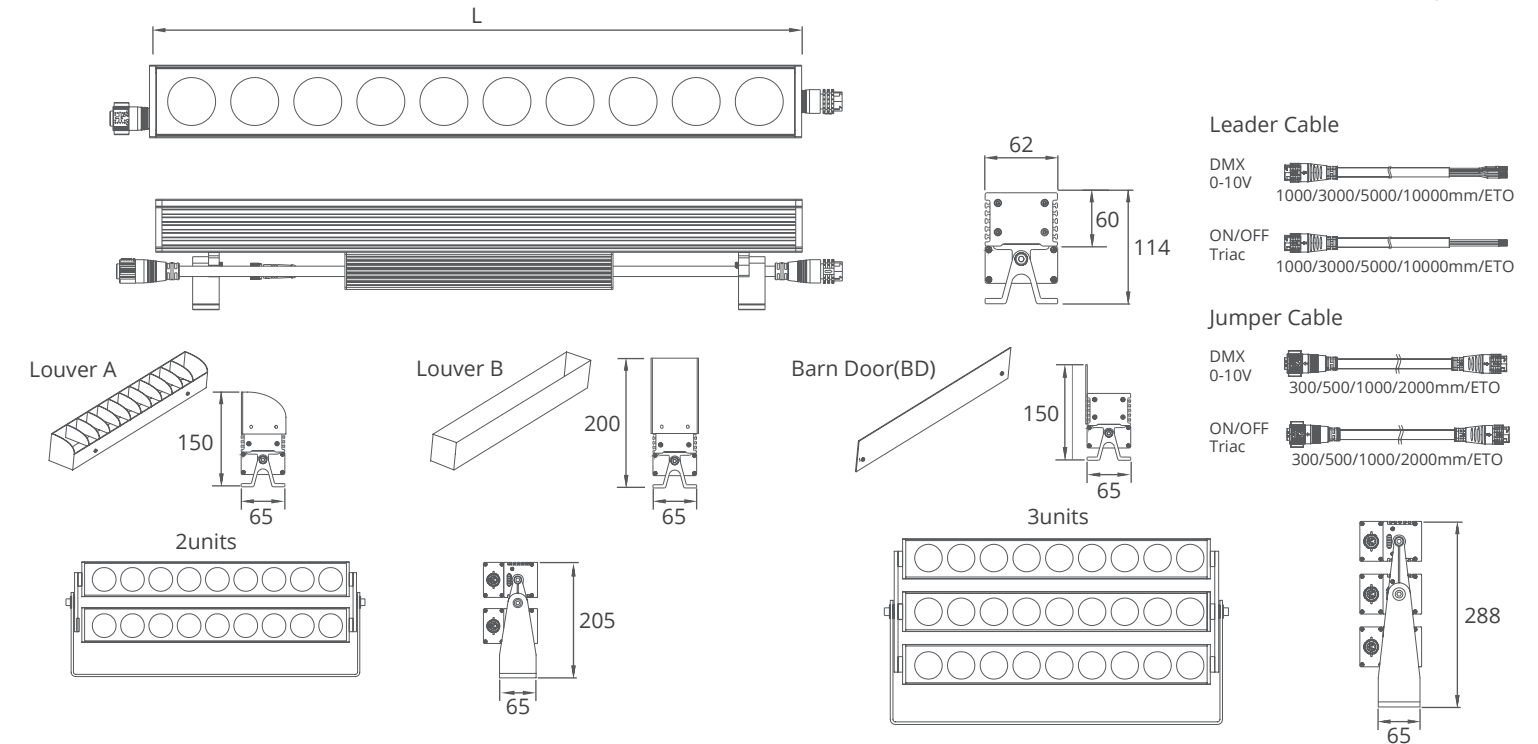
MODEL	LINEAR SLIM PM G3
OPERATING VOLTAGE	AC 100-240V
POWER CONSUMPTION	100W/1220mm Unit, 300W/1220mm 3Units
LED TYPE	5 in 1 High Power LED
COLOUR TEMP OPTION	2700K, 3000K, 3500K, 4000K, 5000K, RGB, RGBW, RGBWW
CRI	90min, 80min
PRODUCT EFFICACY	68lm/W@3000K
FULL WIDTH AT HALF MAXIMUM (OPTICS)	6°, 8°*15°, 8°*30°, 8°*50°, 20°*40°, 25°, 30°*60°, 40°
MATERIAL	Aluminum + Tempered Glass
AMBIENT OPERATING TEMPERATURE	-20°C ~ +55°C
STORAGE TEMPERATURE	-25°C ~ +60°C
LIFETIME	50,000 hours/L70 at 25°C
DIMENSIONS	1220(L)*62(W)*114(H)mm, 305/610/915/1000mm available
CABLE LENGTH	150mm
CONTROL SYSTEM	ON/OFF, DMXIRDM, 0-10V Dim
MOUNTING TYPE	Surface
IP RATING	IP66

FEATURES & OPTIONS



- | | | |
|---------|-----------------|---------|
| 01. CW | 05. RGBW | 09. DMX |
| 02. NW | 06. IP66 | 10. RDM |
| 03. WW | 07. ANTI-SALINE | |
| 04. RGB | 08. POLAR | |

DIMENSIONS



*all units are in mm

OPTIC SELECTION



6°

CenterBeamLux	Illuminance at Distance
20971.92 lx	05.0 m
5242.98 lx	10.0 m
2330.21 lx	15.0 m
1310.75 lx	20.0 m
838.88 lx	25.0 m
582.55 lx	30.0 m

■ Ver. Spread: 5.8° ■ Horiz. Spread: 5.9°



8°x50°

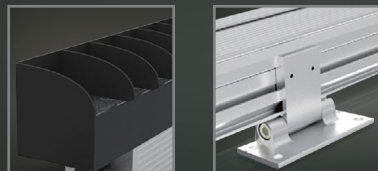
CenterBeamLux	Illuminance at Distance
2246.46 lx	05.0 m
561.62 lx	10.0 m
249.61 lx	15.0 m
140.40 lx	20.0 m
89.86 lx	25.0 m
62.40 lx	30.0 m

■ Ver. Spread: 6.5° ■ Horiz. Spread: 48.5°

3000K

LINEAR PM AC

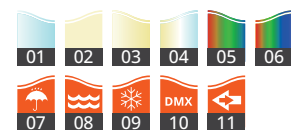
The built in power supply makes the installation easier, Compact design for limited space with high consistency of light out put, Various beam angles are available for balancing efficiency and lighting effects, Connection extension can be up to 38 meters.



SPECIFICATION

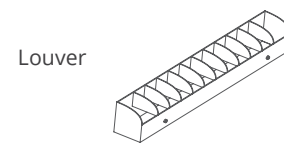
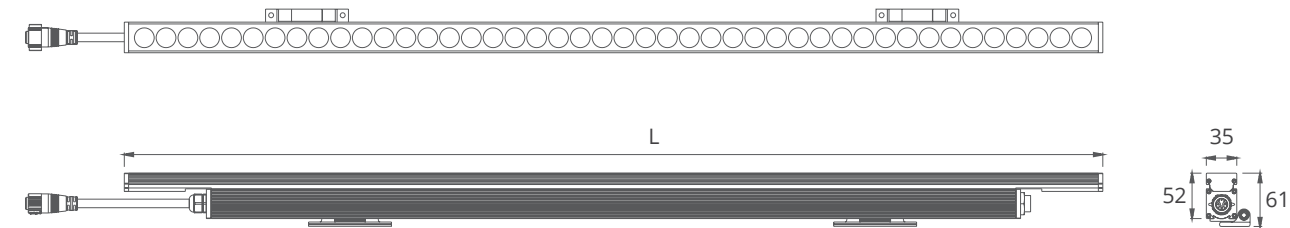
MODEL	LINEAR PM AC
OPERATING VOLTAGE	AC 100-240V
POWER CONSUMPTION	9W/320mm, 36W/1220mm
LED TYPE	High Power LED
COLOUR TEMP OPTION	2700K, 3000K, 4000K, 5000K, Tunable White, RGB, RGBW, RGBA
CRI	90min, 80min
PRODUCT EFFICACY	78lm/W@3000K
FULL WIDTH AT HALF MAXIMUM (OPTICS)	Tilt 2.5@11°, 6°, 8°*15°, 8°*30°, 8°*50°, 20°*40°, 25°, 45°, 60°
MATERIAL	Aluminum + Tempered Glass
AMBIENT OPERATING TEMPERATURE	-20°C ~ +55°C
STORAGE TEMPERATURE	-25°C ~ +60°C
LIFETIME	50,000 hours/L70 at 25°C
DIMENSIONS	1220(L)*35(W)*61(H)mm, 320/620/920mm available
CABLE LENGTH	150mm
CONTROL SYSTEM	ON/OFF, DMX/RDM, TRIAC Dim, 0-10V Dim
MOUNTING TYPE	Surface
IP RATING	IP66

FEATURES & OPTIONS



- 01. CW
- 02. NW
- 03. WW
- 04. DW
- 05. RGB
- 06. RGBW
- 07. IP66
- 08. ANTI-SALINE
- 09. POLAR
- 10. DMX
- 11. RDM

DIMENSIONS

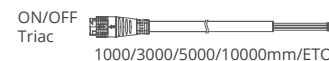
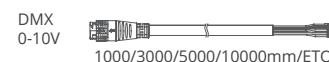


Louver

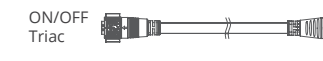


Barn Door(BD)

Leader Cable



Jumper Cable



*all units are in mm

OPTIC SELECTION



6°

LED	Lumens	Watts	Efficacy
WHITE	2521.76	36.00	70.04

CenterBeamLux	Illuminance at Distance
7777.77 lx	05.0 m
1944.44 lx	10.0 m
864.20 lx	15.0 m
486.11 lx	20.0 m
311.11 lx	25.0 m
216.05 lx	30.0 m

Ver. Spread: 5.7° Horiz. Spread: 5.7°



8°x50°

LED	Lumens	Watts	Efficacy
WHITE	2628.00	36.00	73.00

CenterBeamLux	Illuminance at Distance
836.36 lx	05.0 m
209.09 lx	10.0 m
92.93 lx	15.0 m
52.27 lx	20.0 m
33.45 lx	25.0 m
23.23 lx	30.0 m

Ver. Spread: 6.5° Horiz. Spread: 48.5°

3000K

LINEAR PM DC

Cost effective and competitive for grazing, The optic design offers smooth mixture of colours, The composition and efficient design save expensive labor installation costs and achieving long runs of quality illumination in minimal time.



SPECIFICATION

MODEL	LINEAR PM DC
OPERATING VOLTAGE	24V DC, 48V DC
POWER CONSUMPTION	9W/305mm, 31W/1220mm
LED TYPE	High Power LED
COLOUR TEMP OPTION	2700K, 3000K, 4000K, 5000K, Tunable White, RGB, RGBW
CRI	90min, 80min
PRODUCT EFFICIENCY	78.3lm/W@3000K
FULL WIDTH AT HALF MAXIMUM (OPTICS)	10°*40°, 20°*40°, 25°, 35°, 45°, 60°
MATERIAL	Aluminum + Tempered Glass
AMBIENT OPERATING TEMPERATURE	-20°C ~ +55°C
STORAGE TEMPERATURE	-25°C ~ +60°C
LIFETIME	50,000 hours/L70 at 25°C
DIMENSIONS	1220(L)*25(W)*40 (H)mm, 1220(L)*25(W)*70.5(H)mm(Adjustable Bracket) 305/610/915/1000mm available
CABLE LENGTH	300mm
CONTROL SYSTEM	ON/OFF, DMX/RDM, 0-10V Dim
MOUNTING TYPE	Surface
IP RATING	IP66

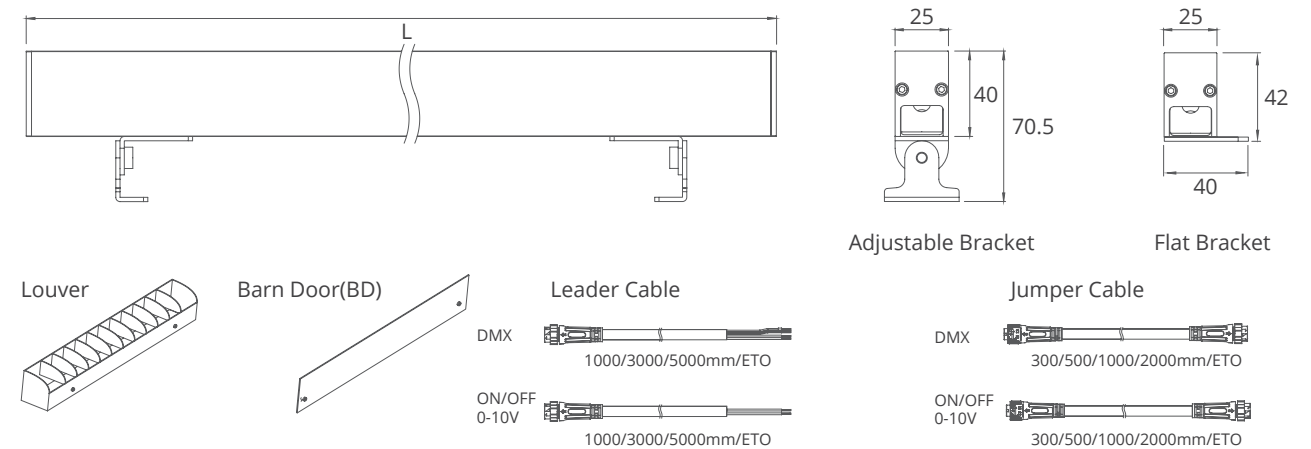
FEATURES & OPTIONS



- 01. CW
- 02. NW
- 03. WW
- 04. DW
- 05. RGB
- 06. RGBW
- 07. IP66
- 08. ANTI-SALINE
- 09. POLAR
- 10. DMX
- 11. RDM

*All rights reserved. Specification may change without prior notice

DIMENSIONS



*all units are in mm

OPTIC SELECTION



10°x40°

LED	Lumens	Watts	Efficacy
WHITE	2119.17	31.00	68.35

CenterBeamLux	Illuminance at Distance
1589.76 lx	02.5 m
397.44 lx	05.0 m
176.64 lx	07.5 m
99.36 lx	10.0 m
63.59 lx	12.5 m
44.16 lx	15.0 m

Ver. Spread: 11.8° Horiz. Spread: 45.8°



20°x40°

LED	Lumens	Watts	Efficacy
WHITE	2296.01	31.00	74.06

CenterBeamLux	Illuminance at Distance
1388.81 lx	02.5 m
347.20 lx	05.0 m
154.31 lx	07.5 m
86.80 lx	10.0 m
55.55 lx	12.5 m
38.58 lx	15.0 m

Ver. Spread: 16.6° Horiz. Spread: 44.5°



25°

LED	Lumens	Watts	Efficacy
WHITE	2490.20	31.80	78.30

CenterBeamLux	Illuminance at Distance
1460.35 lx	02.5 m
365.09 lx	05.0 m
162.26 lx	07.5 m
91.27 lx	10.0 m
58.41 lx	12.5 m
40.57 lx	15.0 m

Ver. Spread: 22.2° Horiz. Spread: 22.3°

3000K

INSTA LINEAR PM DC



Ultra Slim body for grazing at limited space,
Uniformity light output by 2 steps or
3 steps bin selection upon request,
Smooth mixing colour by special optic design,
Customized length and colour are available.



SPECIFICATION

MODEL	INSTA LINEAR PM DC
OPERATING VOLTAGE	24V DC
POWER CONSUMPTION	24W/1000mm, 36W/1000mm (1PXL/M, 4PXL/M, 8PXL/M)
LED TYPE	SMD, High Power LED
COLOUR TEMP OPTION	2700K, 3000K, 3500K, 4000K, 5000K, Tunable White, RGB, RGBW
CRI	90min, 80min
PRODUCT EFFICACY	83lm/W@3000K
FULL WIDTH AT HALF MAXIMUM (OPTICS)	10°*40, 12°(Tilt 2.5°), 20°*40°, 35°, 60°, 120°
MATERIAL	Aluminum + Tempered Glass
AMBIENT OPERATING TEMPERATURE	-20°C ~ +55°C
STORAGE TEMPERATURE	-25°C ~ +60°C
LIFETIME	50,000 hours/L70 at 25°C
DIMENSIONS	1000(L)*35(W)*33(H)mm (Flat Bracket), 1000(L)*35(W)*55(H)mm (Adjustable Bracket) 300/500/900/1200mm available
CABLE LENGTH	300mm
CONTROL SYSTEM	ON/OFF, DMX/RDM, 0-10V Dim
MOUNTING TYPE	Surface
IP RATING	IP66

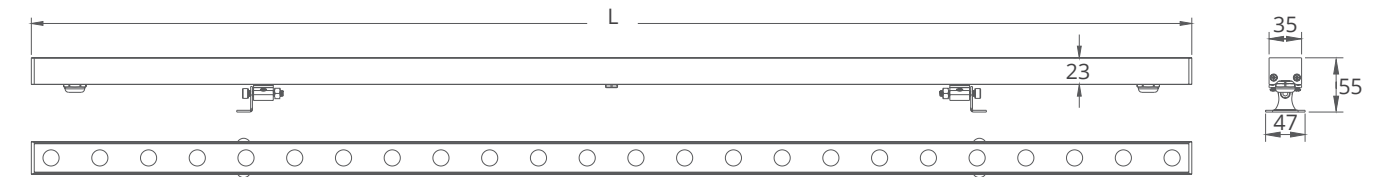
FEATURES & OPTIONS



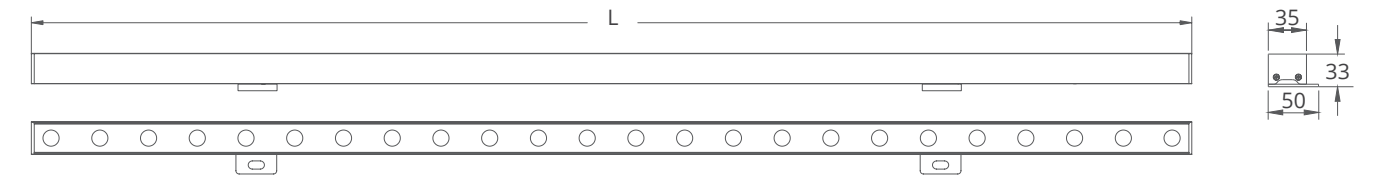
- | | | | |
|--------|---------------------|-----------------------|--------------------------|
| 01. CW | 05. RGB | 08. ADJUSTABLE | 10. EXTREME ENVIRONMENTS |
| 02. NW | 06. DYNAMIC CONTROL | 09. EASY INSTALLATION | 11. DMX |
| 03. WW | 07. IP66 | | |
| 04. DW | | | |

DIMENSIONS

Adjustable bracket



Flat bracket



*all units are in mm

OPTIC SELECTION



12°

LED	Lumens	Watts	Efficacy
WHITE	2370.00	30.00	79.00

CenterBeamLux	Illuminance at Distance
4280.39 lx	02.5 m
1070.10 lx	05.0 m
475.60 lx	07.5 m
267.52 lx	10.0 m
171.22 lx	12.5 m
118.90 lx	15.0 m

Ver. Spread: 11.5° Horiz. Spread: 11.1°



35°

LED	Lumens	Watts	Efficacy
WHITE	3047.04	36.00	84.64

CenterBeamLux	Illuminance at Distance
1828.24 lx	02.5 m
456.18 lx	05.0 m
201.92 lx	07.5 m
97.56 lx	10.0 m
77.12 lx	12.5 m
50.48 lx	15.0 m

Ver. Spread: 35.3° Horiz. Spread: 34.2°

3000K

LINEAR SLIM PL DC

HIGHwave

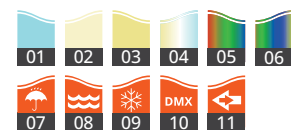
A low height profile for limited space, End to End connection makes installation easier, Various beam angles are available, Choose from customized colour temperatures.



SPECIFICATION

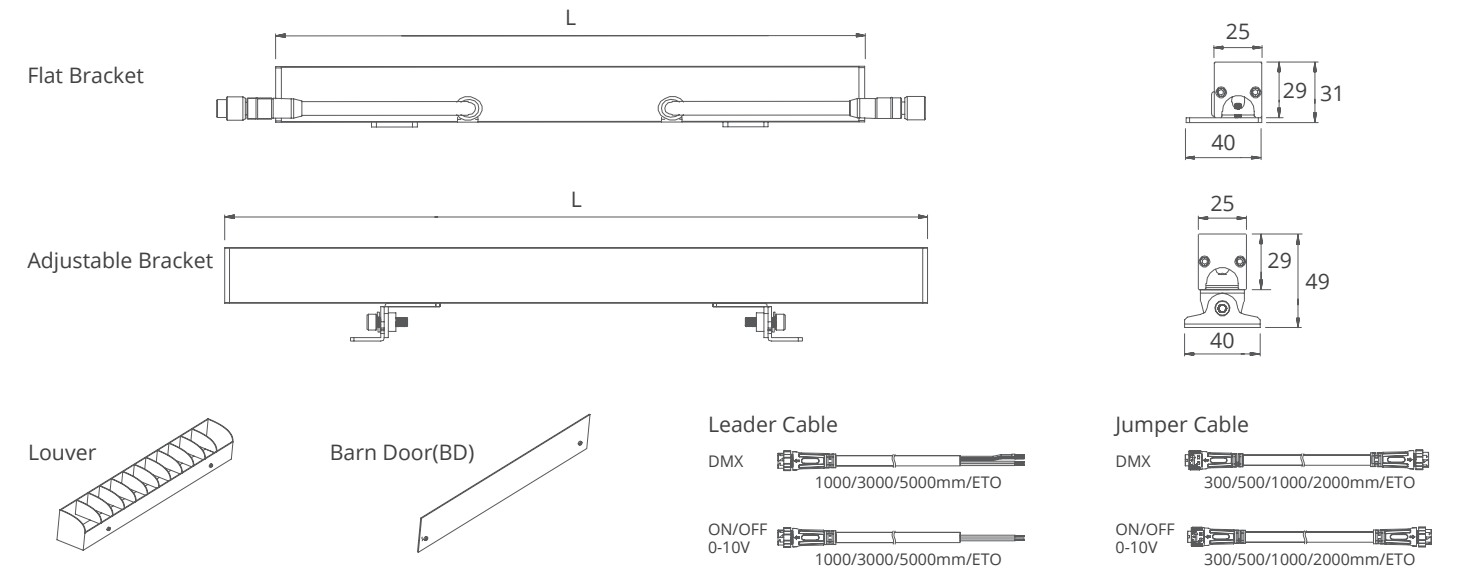
MODEL	LINEAR SLIM PL DC
OPERATING VOLTAGE	24V DC
POWER CONSUMPTION	4W/305mm, 14W/1220mm
LED TYPE	SMD, High Power LED
COLOUR TEMP OPTION	2700K, 3000K, 4000K, 5000K, Tunable White, RGB, RGBW
CRI	90min, 80min
PRODUCT EFFICACY	61lm/W@3000K
FULL WIDTH AT HALF MAXIMUM (OPTICS)	10°*40°, 20°*40°, 40°
MATERIAL	Aluminum + Tempered Glass
AMBIENT OPERATING TEMPERATURE	-20°C ~ +55°C
STORAGE TEMPERATURE	-25°C ~ +60°C
LIFETIME	50,000 hours/L70 at 25°C
DIMENSIONS	1220(L)*25(W)*31(H)mm(Flat Bracket), 1220(L)*25(W)*49(H)mm(Adjustable Bracket) 305/610/915/1000mm available
CABLE LENGTH	300mm
CONTROL SYSTEM	ON/OFF, DMX/RDM, 0-10V Dim
MOUNTING TYPE	Surface
IP RATING	IP66

FEATURES & OPTIONS



- | | | |
|--------|-----------------|-----------|
| 01. CW | 05. RGB | 09. POLAR |
| 02. NW | 06. RGBW | 10. DMX |
| 03. WW | 07. IP66 | 11. RDM |
| 04. DW | 08. ANTI-SALINE | |

DIMENSIONS



*all units are in mm

OPTIC SELECTION



LED	Lumens	Watts	Efficacy
WHITE	843.84	14.40	58.60

CenterBeamLux	Illuminance at Distance
469.71 lx	01.7 m
117.13 lx	03.3 m
52.06 lx	05.0 m
29.28 lx	06.7 m
18.74 lx	08.3 m
12.88 lx	10.0 m

■ Ver. Spread: 22.7° ■ Horiz. Spread: 40.7°



LED	Lumens	Watts	Efficacy
WHITE	854.00	14.00	61.00

CenterBeamLux	Illuminance at Distance
407.17 lx	01.7 m
101.49 lx	03.3 m
44.33 lx	05.0 m
25.47 lx	06.7 m
16.31 lx	08.3 m
11.32 lx	10.0 m

■ Ver. Spread: 43.9° ■ Horiz. Spread: 43.7°

3000K

INSTA LINEAR PL DC MINI



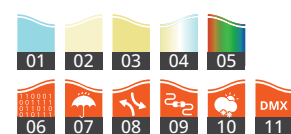
A low height profile for limited space,
End to End connection makes installation easier,
Various beam angles are available,
Choose from customized colour temperatures.



SPECIFICATION

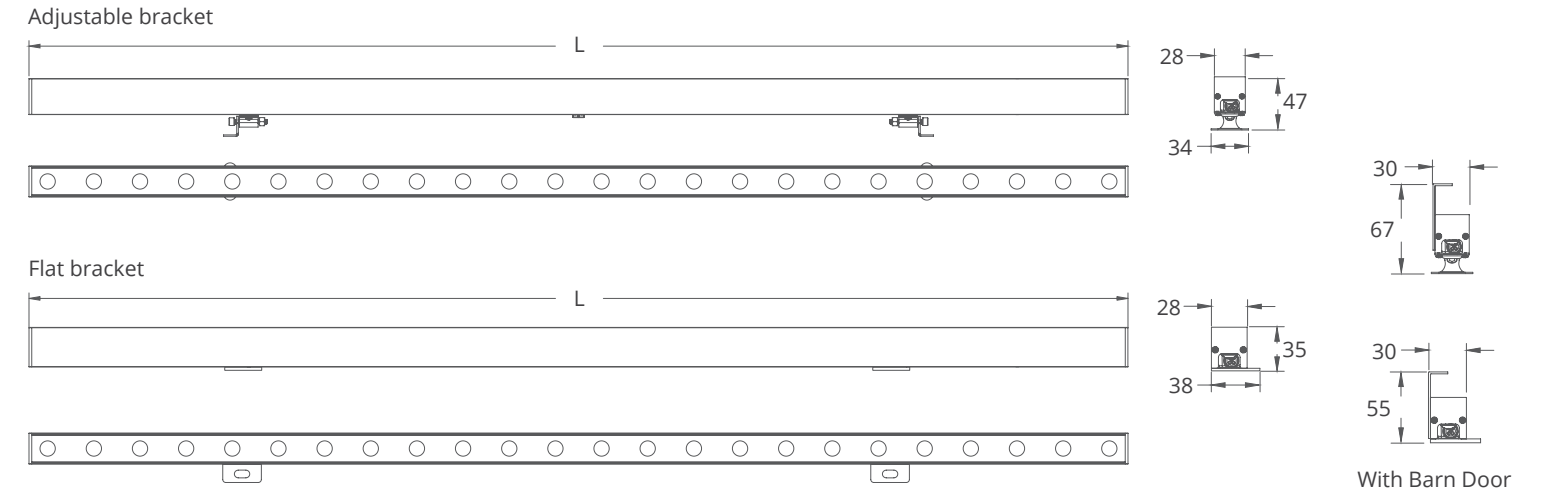
MODEL	INSTA LINEAR PL DC MINI
OPERATING VOLTAGE	24V DC, 48V DC
POWER CONSUMPTION	12W/1000mm, 14W/1000mm (8PXL/M, 16PXL/M)
LED TYPE	SMD, High Power LED
COLOUR TEMP OPTION	2700K, 3000K, 4000K, 5000K, Tunable White, RGB, RGBW
CRI	90min, 80min
PRODUCT EFFICACY	61lm/W@3000K
FULL WIDTH AT HALF MAXIMUM (OPTICS)	10°*40°, 20°, 20°*40°, 25°, 40°, 60°, 120°
MATERIAL	Aluminum + Tempered Glass
AMBIENT OPERATING TEMPERATURE	-20°C ~ +55°C
STORAGE TEMPERATURE	-25°C ~ +60°C
LIFETIME	50,000 hours/L70 at 25°C
DIMENSIONS	1000(L)*28(W)*35(H)mm (Flat Bracket), 1000(L)*28(W)*47(H)mm (Adjustable Bracket) 300/450/500/1200mm available
CABLE LENGTH	300mm
CONTROL SYSTEM	ON/OFF, DMX/RDM, 0-10V Dim
MOUNTING TYPE	Surface
IP RATING	IP66, IP67

FEATURES & OPTIONS



- | | | | |
|--------|---------------------|-----------------------|--------------------------|
| 01. CW | 04. DW | 07. IP66, IP67 | 10. EXTREME ENVIRONMENTS |
| 02. NW | 05. RGB | 08. ADJUSTABLE | 11. DMX |
| 03. WW | 06. DYNAMIC CONTROL | 09. EASY INSTALLATION | |

DIMENSIONS



*all units are in mm

OPTIC SELECTION



LED	Lumens	Watts	Efficacy
WHITE	843.84	14.40	58.60

CenterBeamLux	Illuminance at Distance
469.71 lx	01.7 m
117.13 lx	03.3 m
52.06 lx	05.0 m
29.28 lx	06.7 m
18.74 lx	08.3 m
12.88 lx	10.0 m

Ver. Spread: 22.7° Horiz. Spread: 40.7°



LED	Lumens	Watts	Efficacy
WHITE	854.00	14.00	61.00

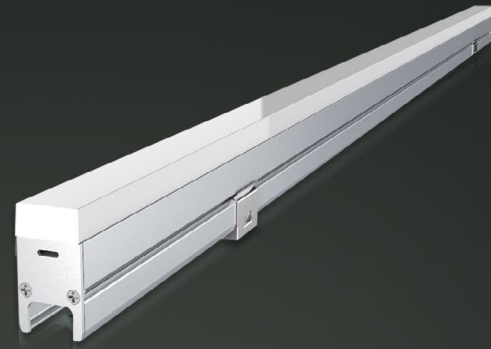
CenterBeamLux	Illuminance at Distance
407.17 lx	01.7 m
101.49 lx	03.3 m
44.33 lx	05.0 m
25.47 lx	06.7 m
16.31 lx	08.3 m
11.32 lx	10.0 m

Ver. Spread: 43.9° Horiz. Spread: 43.7°

3000K

INSTA LINEAR PL DC MILKY

The unique milky cover offers smooth light without any visible LED hot spots, The 2 steps bin selection provides uniform light output upon request, Ultra slim body results in easy installation.



SPECIFICATION

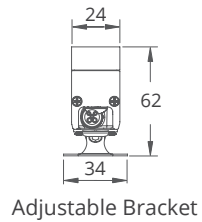
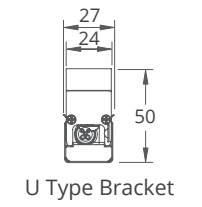
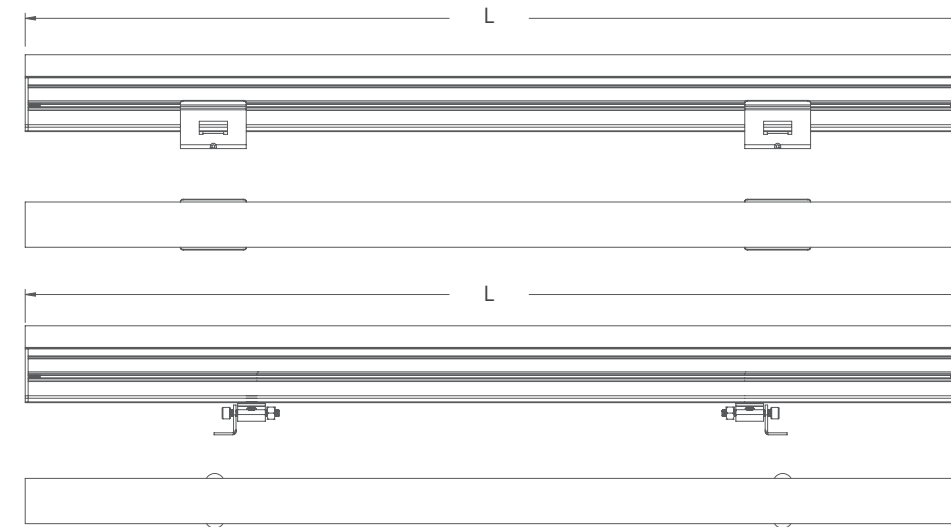
MODEL	INSTA LINEAR PL DC MILKY
OPERATING VOLTAGE	24V DC, 48V DC
POWER CONSUMPTION	12W/1000mm, 14W/1000mm (1PXL/M, 8PXL/M, 16PXL/M)
LED TYPE	SMD, High Power LED
COLOUR TEMP OPTION	2700K, 3000K, 4000K, 5000K, Tunable White, RGB, RGBW
CRI	90min, 80min
PRODUCT EFFICACY	70lm/W@3000K
FULL WIDTH AT HALF MAXIMUM (OPTICS)	120°
MATERIAL	Aluminum + Tempered Glass + PMMA
AMBIENT OPERATING TEMPERATURE	-20°C ~ +55°C
STORAGE TEMPERATURE	-25°C ~ +60°C
LIFETIME	50,000 hours/L70 at 25°C
DIMENSIONS	1000(L)*24(W)*50(H)mm (U Type Bracket), 1000(L)*24(W)*62(H)mm (Adjustable Bracket) 300/500/900/1200mm available
CABLE LENGTH	300mm
CONTROL SYSTEM	ON/OFF, DMX, 0-10V Dim
MOUNTING TYPE	Surface
IP RATING	IP66, IP67

FEATURES & OPTIONS



- 01. CW
- 02. NW
- 03. WW
- 04. DW
- 05. RGB
- 06. DYNAMIC CONTROL
- 07. IP66, IP67
- 08. ADJUSTABLE
- 09. EASY INSTALLATION
- 10. EXTREME ENVIRONMENTS
- 11. DMX

DIMENSIONS



*all units are in mm

OPTIC SELECTION



120°

CenterBeamLux	Illuminance at Distance
3402.00 lx	0.3 m
850.50 lx	0.7 m
378.00 lx	1.0 m
212.63 lx	1.3 m
136.08 lx	1.7 m
94.50 lx	2.0 m

3000K

Ver. Spread: 114.0° Horiz. Spread: 112.7°

LED	Lumens	Watts	Efficacy
WHITE	840.96	12.00	70.08



120°

CenterBeamLux	Illuminance at Distance
2027.16 lx	0.3 m
551.85 lx	0.7 m
223.02 lx	1.0 m
137.72 lx	1.3 m
88.58 lx	1.7 m
60.32 lx	2.0 m



Ver. Spread: 122.0° Horiz. Spread: 121.7°

LED	Lumens	Watts	Efficacy
RGBW	786.90	14.00	56.15

IP COVE PH

HIGHwave

The integrated optic offers superb colour consistency without hot spots, The possesses low height profile and ultra slim design, The fixture delivers narrow beam angle for grazing. The control system provides balanced uniform light output.



SPECIFICATION

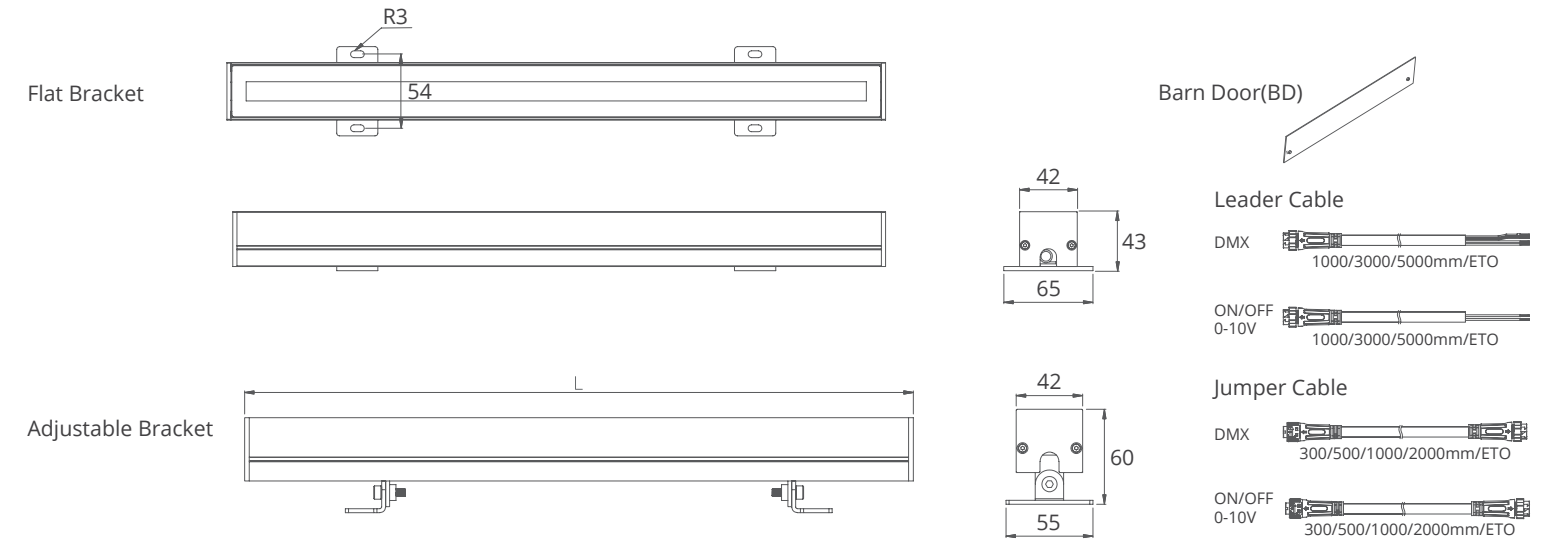
MODEL	IP COVE PH
OPERATING VOLTAGE	24V DC, 48V DC
POWER CONSUMPTION	48W/1220mm
LED TYPE	SMD
COLOUR TEMP OPTION	2700K, 3000K, 4000K, 5000K, Tunable White, RGB, RGBW
CRI	90min, 80min
PRODUCT EFFICACY	55lm/W@4000K
FULL WIDTH AT HALF MAXIMUM (OPTICS)	20°*90°, 40°, 60°
MATERIAL	Aluminum + Tempered Glass
AMBIENT OPERATING TEMPERATURE	-20°C ~ +55°C
STORAGE TEMPERATURE	-25°C ~ +60°C
LIFETIME	50,000 hours/L70 at 25°C
DIMENSIONS	1220(L)*42(W)*43(H)mm(Flat Bracket), 1220(L)*42(W)*60(H)mm(Adjustable Bracket) 305/610/915/1000mm ETO available
CABLE LENGTH	300mm
CONTROL SYSTEM	ON/OFF, DMX/RDM, 0-10V Dim
MOUNTING TYPE	Surface
IP RATING	IP66

FEATURES & OPTIONS



- | | | | |
|--------|----------|-----------------|---------|
| 01. CW | 04. DW | 07. IP66 | 10. DMX |
| 02. NW | 05. RGB | 08. ANTI-SALINE | 12. RDM |
| 03. WW | 06. RGBW | 09. POLAR | |

DIMENSIONS



*all units are in mm

OPTIC SELECTION

20°x90°

LED	Lumens	Watts	Efficacy
WHITE	2295.00	48.00	51.00

CenterBeamLux	Illuminance at Distance
4197.47 lx	0.8 m
1044.86 lx	1.7 m
464.38 lx	2.5 m
261.22 lx	3.3 m
167.18 lx	4.2 m
116.09 lx	5.0 m

Ver. Spread: 20.0° Horiz. Spread: 90.5°

2700K

20°x90°

LED	Lumens	Watts	Efficacy
WHITE	2640.00	48.00	55.00

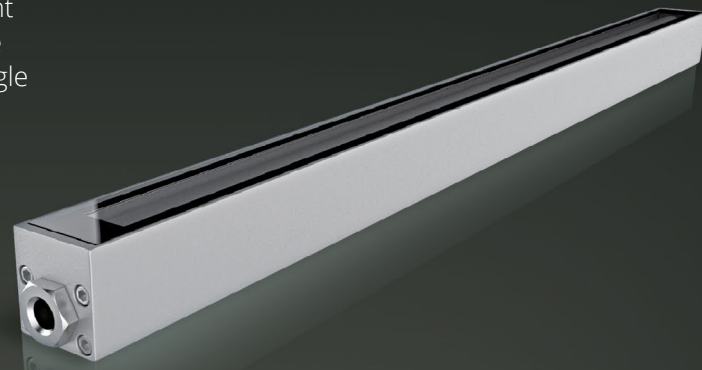
CenterBeamLux	Illuminance at Distance
4828.03 lx	0.8 m
1207.01 lx	1.7 m
536.44 lx	2.5 m
301.75 lx	3.3 m
193.12 lx	4.2 m
134.11 lx	5.0 m

Ver. Spread: 20.0° Horiz. Spread: 90.5°

3000K

IP COVE PM

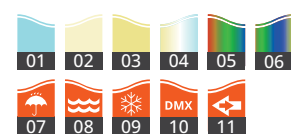
The integrated optic offers superb colour consistent without hot spots, The possesses low height profile and ultra slim The fixture delivers narrow beam angle for grazer The control system provides balanced uniform light.



SPECIFICATION

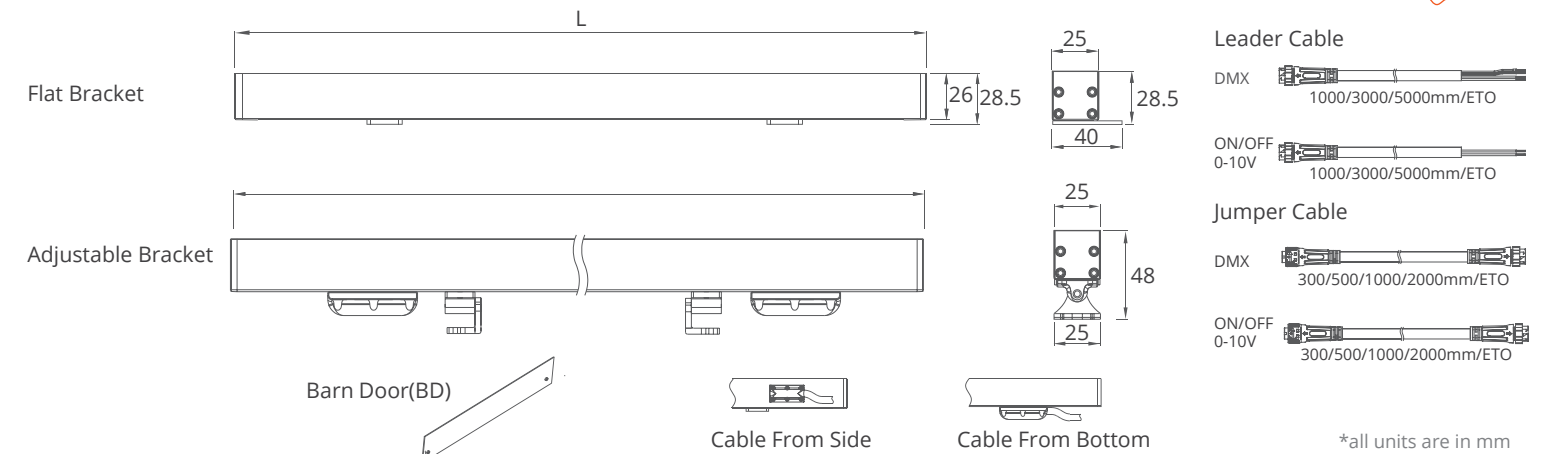
MODEL	IP COVE PM
OPERATING VOLTAGE	24V DC
POWER CONSUMPTION	8W/305mm, 32/1220mm
LED TYPE	SMD
COLOUR TEMP OPTION	2700K, 3000K, 4000K, 5000K, Tunable White, RGB, RGBW
CRI	90min, 80min
PRODUCT EFFICIENCY	54lm/W@4000K
FULL WIDTH AT HALF MAXIMUM (OPTICS)	20°*90°, 40°*90°, 60°*90°
MATERIAL	Aluminum + Tempered Glass
AMBIENT OPERATING TEMPERATURE	-20°C ~ +55°C
STORAGE TEMPERATURE	-25°C ~ +60°C
LIFETIME	50,000 hours/L70 at 25°C
DIMENSIONS	1220(L)*25(W)*28.5(H)mm(Flat Bracket), 1220(L)*25(W)*48(H)mm(Adjustable Bracket) 305/610/915/1000mm ETO available
CABLE LENGTH	300mm
CONTROL SYSTEM	ON/OFF, DMX/RDM, 0-10V Dim
MOUNTING TYPE	Surface
IP RATING	IP66

FEATURES & OPTIONS

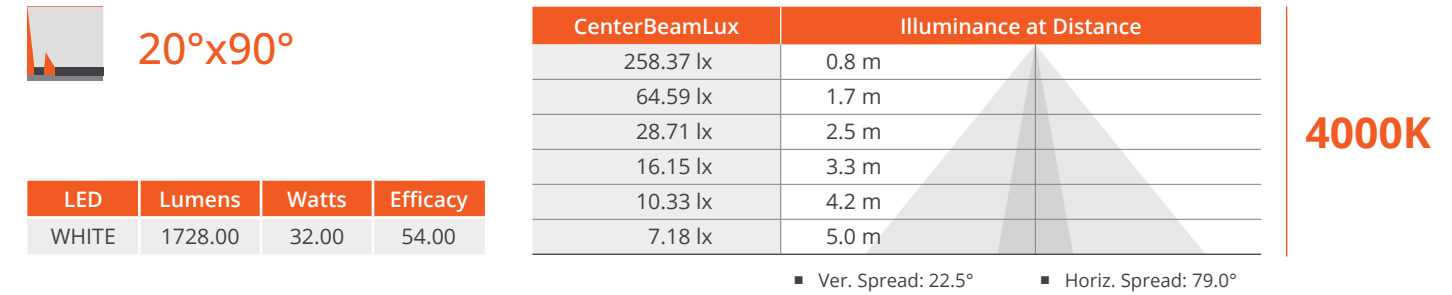
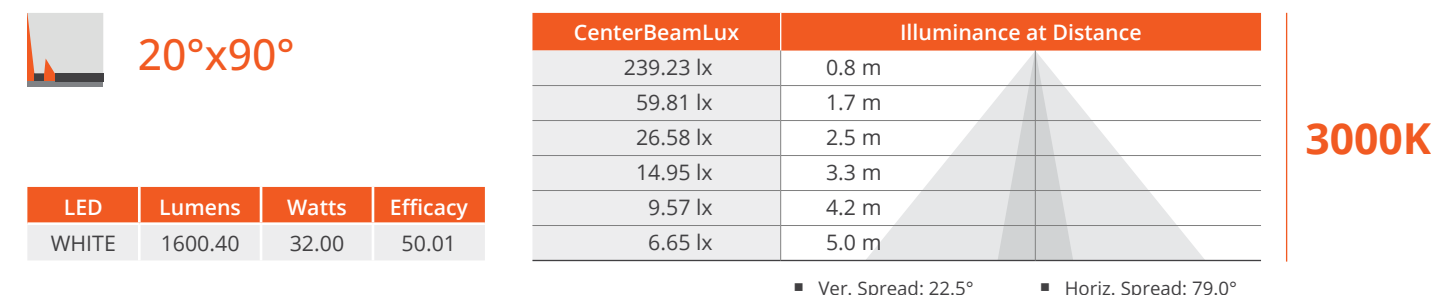
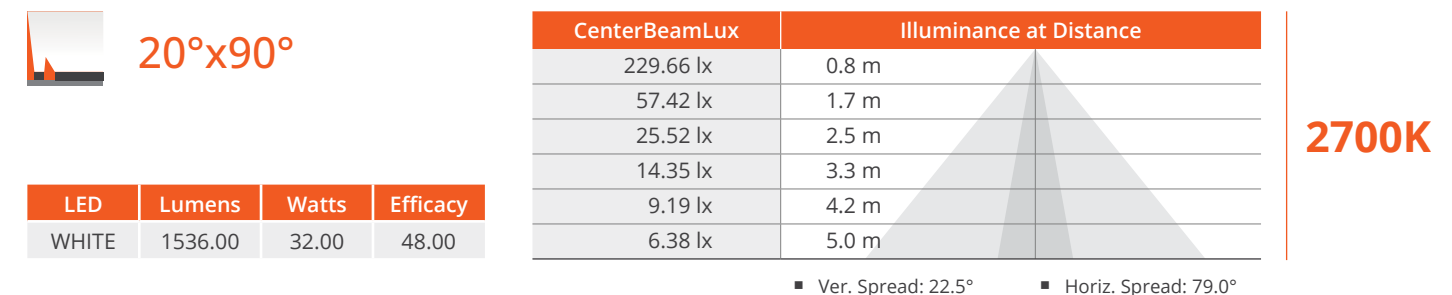


- 01. CW
- 02. NW
- 03. WW
- 04. DW
- 05. RGB
- 06. RGBW
- 07. IP66
- 08. ANTI-SALINE
- 09. POLAR
- 10. DMX
- 11. RDM

DIMENSIONS



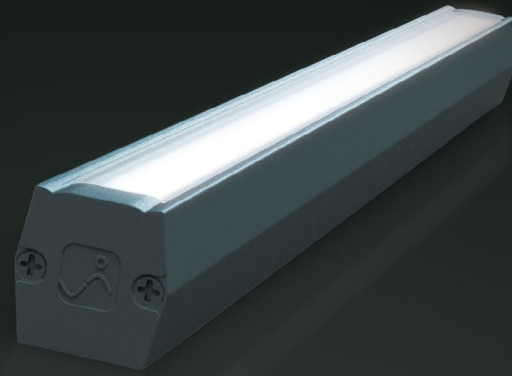
OPTIC SELECTION



CONTINUES-25 IP

HIGHwave

IP67
 Chemical Resistance
 Temperature Resistance
 Flamme Resistance
 Abrasion And Wear Resistance.



SPECIFICATION

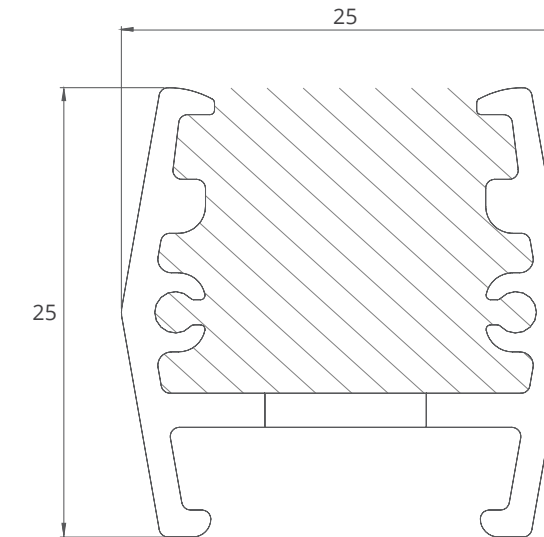
MODEL	CONTINUES-25 IP
OPERATING VOLTAGE	24V DC
POWER CONSUMPTION	12W/1000mm, 14W/1000mm, 20W/1000mm, 24W/1000mm
LED TYPE	SMD, High Power LED
COLOUR TEMP OPTION	2700K, 3000K, 4000K, 5000K, Tunable White, RGB, RGBW
CRI	80min, 90 min
PRODUCT EFFICACY	70lm/W@3000K
FULL WIDTH AT HALF MAXIMUM (OPTICS)	120°
MATERIAL	Polyurethane Encapsulated , Extruded Aluminium, Diecast Aluminium
AMBIENT OPERATING TEMPERATURE	-20°C ~ +55°C
STORAGE TEMPERATURE	-25°C ~ +60°C
LIFETIME	50,000 hours/L70 at 25°C
DIMENSIONS	1000(L)*25(W)*25(H)mm (U Type Bracket)
CABLE LENGTH	300mm
CONTROL SYSTEM	ON/OFF, DMX, 0-10V
MOUNTING TYPE	Surrface/Suspended
IP RATING	IP67

FEATURES & OPTIONS



- 01. IP67
- 02. OUTDOOR RESISTANCE
- 03. CHEMICAL RESISTANCE
- 04. TEMPERATURE RESISTANCE
- 05. FLAME RESISTANCE
- 06. ABRASION AND WEAR RESISTANCE

DIMENSIONS



OPTIC SELECTION



120°

LED	Lumens	Watts	Efficacy
WHITE	840.96	12.00	70.08

CenterBeamLux	Illuminance at Distance
3402.00 lx	0.3 m
850.50 lx	0.7 m
378.00 lx	1.0 m
212.63 lx	1.3 m
136.08 lx	1.7 m
94.50 lx	2.0 m

Ver. Spread: 114.0° Horiz. Spread: 112.7°

3000K



120°

LED	Lumens	Watts	Efficacy
RGBW	786.90	14.00	56.15

CenterBeamLux	Illuminance at Distance
2027.16 lx	0.3 m
551.85 lx	0.7 m
223.02 lx	1.0 m
137.72 lx	1.3 m
88.58 lx	1.7 m
60.32 lx	2.0 m

Ver. Spread: 122.0° Horiz. Spread: 121.7°



CONTINUES-25 IP OPTICS

Creating vertical lines of light of considerable depth, projecting the light beam with punctual and incisive light. The Continues-25 IP Optics Line collection, the latest addition to the Profile family. Wall Washer, facade, light enhancement with narrow beams are just some of the possibilities offered by the products of this series.

Thanks to the resin process IP65 and IP67 products can be permanently installed outdoors for the enhancement of buildings and monuments.



SPECIFICATION

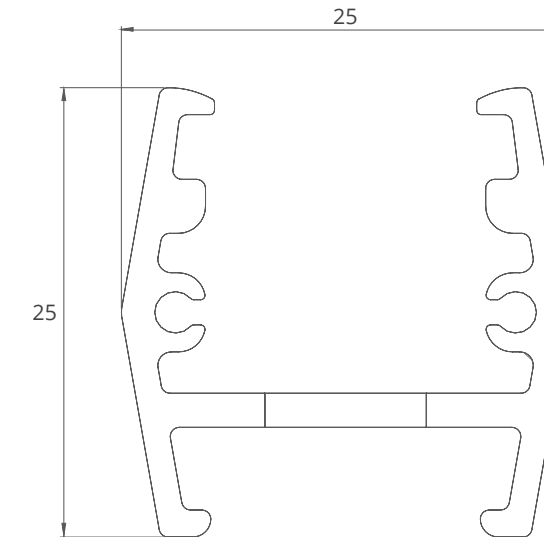
MODEL	CONTINUES -25 IP OPTICS
OPERATING VOLTAGE	24V DC
POWER CONSUMPTION	12W/1000mm, 14W/1000mm, 20W/1000mm, 24W/1000mm
LED TYPE	SMD, High Power LED
COLOUR TEMP OPTION	2700K, 3000K, 4000K, 5000K, Tunable White, RGB, RGBW
CRI	80min
PRODUCT EFFICACY	70lm/W@3000K
FULL WIDTH AT HALF MAXIMUM (OPTICS)	10°, 25°, 60°, 15°*50°
MATERIAL	Extruded Aluminium, Diecast Aluminium, Polyurethane Encapsulated
AMBIENT OPERATING TEMPERATURE	-20°C ~ +55°C
STORAGE TEMPERATURE	-25°C ~ +60°C
LIFETIME	50,000 hours/L70 at 25°C
DIMENSIONS	1000(L)*25(W)*25(H)mm (U Type Bracket)
CABLE LENGTH	300mm
CONTROL SYSTEM	ON/OFF, DMX, 0-10V
MOUNTING TYPE	Surface
IP RATING	IP67

FEATURES & OPTIONS



- 01. IP67
- 02. OUTDOOR RESISTANCE
- 03. CHEMICAL RESISTANCE
- 04. TEMPERATURE RESISTANCE
- 05. FLAME RESISTANCE
- 06. ABRASION AND WEAR RESISTANCE

DIMENSIONS



OPTIC SELECTION



10°

LED	Lumens	Watts	Efficacy
WHITE	1682.40	24.00	70.1

CenterBeamLux	Illuminance at Distance
1682.4 lx	01.7 m
753.2 lx	03.3 m
532.74 lx	05.0m
226.33 lx	06.7 m
136.99 lx	08.3 m
93.16 lx	10.0 m

Ver. Spread: 11.8° Horiz. Spread: 10.6°



25°

LED	Lumens	Watts	Efficacy
WHITE	838.80	12.00	69.90

CenterBeamLux	Illuminance at Distance
838.8 lx	01.7 m
365.09 lx	03.3 m
162.26 lx	05.0 m
91.27 lx	06.7 m
58.41 lx	08.3 m
40.57 lx	10.0 m

Ver. Spread: 22.2° Horiz. Spread: 22.3°

3000K

POWER BLAST G2



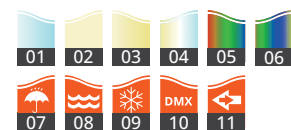
Compact structure with good thermal management,
Offers various beam angle range from extreme narrow to wide,
Uniformity light output by 2 steps or 3 steps bin selection
upon request, Provides high light output from limited space.



SPECIFICATION

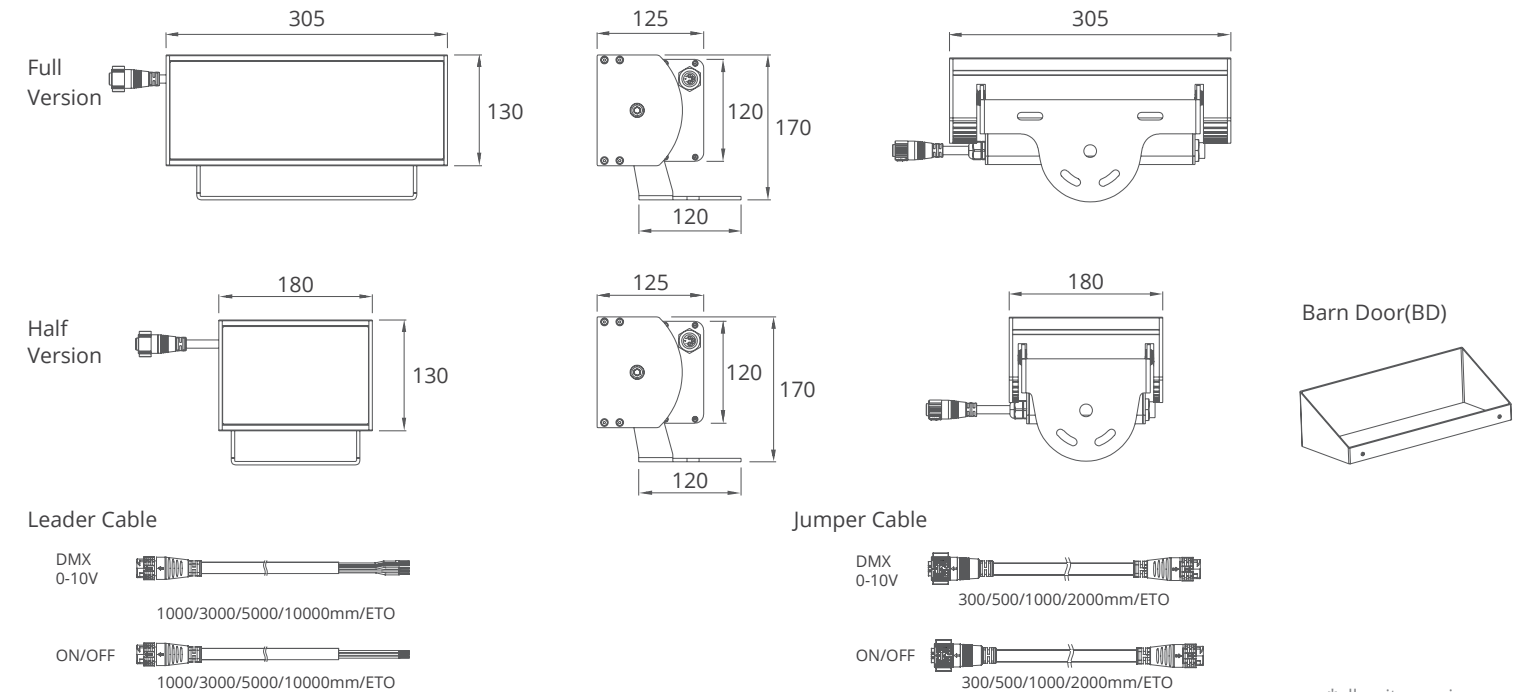
MODEL	POWER BLAST G2
OPERATING VOLTAGE	24V DC, 48V DC, AC 100-240V
POWER CONSUMPTION	43W/ Half Version, 84W/ Full Version
LED TYPE	High Power LED
COLOUR TEMP OPTION	2700K, 3000K, 4000K, 5000K, Tunable White, RGB, RGBW
CRI	90min, 80min
PRODUCT EFFICACY	75lm/W@3000K
FULL WIDTH AT HALF MAXIMUM (OPTICS)	6°, 10°, 15°, 25°, 40°, 8*15°, 8*30°, 8*60°
MATERIAL	Aluminum + Tempered Glass
AMBIENT OPERATING TEMPERATURE	-20°C ~ +55°C
STORAGE TEMPERATURE	-25°C ~ +60°C
LIFETIME	50,000 hours/L70 at 25°C
DIMENSIONS	305(L)*130 (W)*170(H)mm(Full Version), 180(L)*130(W)*170(H)mm(Half Version)
CABLE LENGTH	150mm
CONTROL SYSTEM	ON/OFF, DMX/RDM, 0-10V Dim
MOUNTING TYPE	Surface
IP RATING	IP66

FEATURES & OPTIONS



- | | | |
|--------|-----------------|-----------|
| 01. CW | 05. RGB | 09. POLAR |
| 02. NW | 06. RGBW | 10. DMX |
| 03. WW | 07. IP67 | 11. RDM |
| 04. DW | 08. ANTI-SALINE | |

DIMENSIONS



OPTIC SELECTION



6°

LED	Lumens	Watts	Efficacy
WHITE	5810.70	83.00	70.01

CenterBeamLux	Illuminance at Distance
17924.72 lx	05.0 m
4481.18 lx	10.0 m
1991.64 lx	15.0 m
1120.30 lx	20.0 m
716.99 lx	25.0 m
497.91 lx	30.0 m

■ Ver. Spread: 5.7° ■ Horiz. Spread: 5.7°



10°

LED	Lumens	Watts	Efficacy
WHITE	5976.00	83.00	72.00

CenterBeamLux	Illuminance at Distance
4100.51 lx	05.0 m
1025.13 lx	10.0 m
455.61 lx	15.0 m
256.28 lx	20.0 m
164.02 lx	25.0 m
113.90 lx	30.0 m

■ Ver. Spread: 11.3° ■ Horiz. Spread: 11.5°

3000K

TRANSFORM

HIGHwave

Generates extremely high lumen output basing on good thermal management, Delivers strong light Intensity by extremely narrow beam, Robust structure proven to be ultra-stable under extremely weather conditions, 4 in 1 LED and optic creates smooth colour under RGBW option.



SPECIFICATION

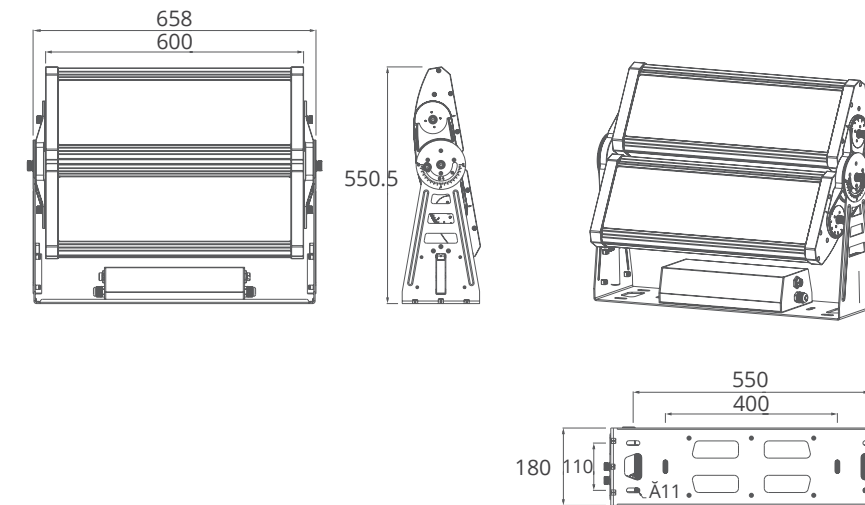
MODEL	TRANSFORM
OPERATING VOLTAGE	AC 100-240V
POWER CONSUMPTION	135W/ unit, 270W/ 2units
LED TYPE	4 in 1 High Power LED
COLOUR TEMP OPTION	2700K, 3000K, 4000K, 5000K, Tunable White, RGB
CRI	80min
PRODUCT EFFICACY	88.18lm/W@4000K
FULL WIDTH AT HALF MAXIMUM (OPTICS)	5°, 25°, 40°, 60°, 5°*20°
MATERIAL	Aluminum + Tempered Glass
AMBIENT OPERATING TEMPERATURE	-20°C ~ +55°C
STORAGE TEMPERATURE	-25°C ~ +60°C
LIFETIME	50,000 hours/L70 at 25°C
DIMENSIONS	658(L)*180(W)*550.5(H)mm
CABLE LENGTH	500mm
CONTROL SYSTEM	ON/OFF, DMX/RDM, 0-10V Dim
MOUNTING TYPE	Surface
IP RATING	IP66

FEATURES & OPTIONS

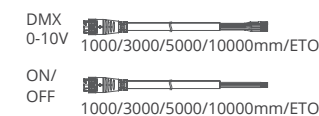


- | | | |
|--------|-----------------|-----------|
| 01. CW | 04. DW | 07. POLAR |
| 02. NW | 05. RGB | 08. DMX |
| 03. WW | 06. ANTI-SALINE | 09. RDM |

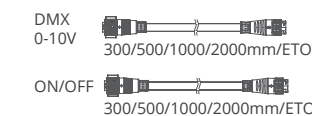
DIMENSIONS



Leader Cable



Jumper Cable



*all units are in mm

OPTIC SELECTION



5°

LED	Lumens	Watts	Efficacy
WHITE	21092.40	270.00	78.12

CenterBeamLux	Illuminance at Distance
65068.14 lx	05.0 m
16267.04 lx	10.0 m
7229.79 lx	15.0 m
4066.76 lx	20.0 m
2602.73 lx	25.0 m
1807.45 lx	30.0 m

■ Ver. Spread: 5.7° ■ Horiz. Spread: 5.7°

3000K



5°

LED	Lumens	Watts	Efficacy
WHITE	23811.92	270.00	88.18

CenterBeamLux	Illuminance at Distance
73461.95 lx	05.0 m
18365.49 lx	10.0 m
8462.44 lx	15.0 m
4591.37 lx	20.0 m
2938.48 lx	25.0 m
2040.61 lx	30.0 m

■ Ver. Spread: 5.7° ■ Horiz. Spread: 5.7°

4000K

INSTA MEGA FLOOD

HIGHwave

Compact structure with good thermal management, Offers various beam angle range from extreme narrow to wide, Uniformity light output by 2 steps or 3 steps bin selection upon request, Provides high light output from limited space.



SPECIFICATION

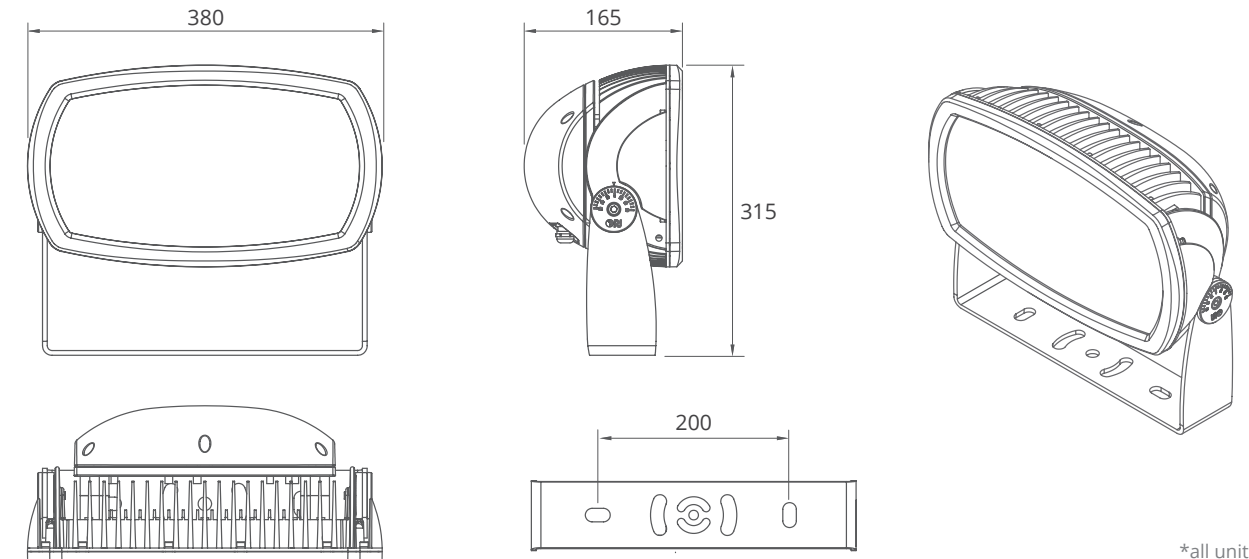
MODEL	INSTA MEGA FLOOD
OPERATING VOLTAGE	24V DC, AC200~240V
POWER CONSUMPTION	150W, 200W
LED TYPE	High Power LED
COLOUR TEMP OPTION	2700K, 3000K, 4000K, 5000K, Tunable White, RGB, RGBW
CRI	90min, 80min
PRODUCT EFFICACY	75lm/W@3000K, 48lm/W@RGBW
FULL WIDTH AT HALF MAXIMUM (OPTICS)	5°, 10°, 15°, 25°, 40°, 60°
MATERIAL	Aluminum + Tempered Glass
AMBIENT OPERATING TEMPERATURE	-20°C ~ +55°C
STORAGE TEMPERATURE	-25°C ~ +60°C
LIFETIME	50,000~7,000 hours at 70% Lumen Maintenance
DIMENSIONS	380(L)*165(W)*315(H)mm
CABLE LENGTH	300mm
CONTROL SYSTEM	ON/OFF, DMX, 0-10V Dim
MOUNTING TYPE	Surface
IP RATING	IP66

FEATURES & OPTIONS



- 01. RGBW
- 02. Dimmable
- 03. RDM
- 04. AC-IN
- 05. Lightning Protection
- 06. IP66
- 07. Adjustable
- 08. Easy Installation
- 09. Extreme Environments

DIMENSIONS



*all units are in mm

OPTIC SELECTION



5°

LED	Lumens	Watts	Efficacy
WHITE	11742.00	150.00	72.28

CenterBeamLux	Illuminance at Distance
20562.60 lx	05.0 m
5140.65 lx	10.0 m
2284.73 lx	15.0 m
1285.17 lx	20.0 m
822.50 lx	25.0 m
571.17 lx	30.0 m

■ Ver. Spread: 5.4° ■ Horiz. Spread: 6.3°



25°

LED	Lumens	Watts	Efficacy
WHITE	11272.50	150.00	75.15

CenterBeamLux	Illuminance at Distance
1001.85 lx	05.0 m
250.46 lx	10.0 m
111.32 lx	15.0 m
62.62 lx	20.0 m
40.07 lx	25.0 m
27.83 lx	30.0 m

■ Ver. Spread: 24.0° ■ Horiz. Spread: 24.0°

3000K

AQUA  ave



FLEX AQUA MINI 13

AQUA ave

The Flex Aqua Mini 13 Transparent collection, in the IP65 and IP67 versions, has been designed to create very luminous flexible linear elements that perfectly adapt to the curvilinear profile of the different surfaces.



SPECIFICATION

MODEL	FLEX AQUA MINI 13
OPERATING VOLTAGE	24VDC
POWER CONSUMPTION	6W/meter
LED TYPE	SMD
COLOUR RANGE	2700K, 3000K, 3500K, 4000K, 4000K, Tunable White
CRI	90min, 80min
PRODUCT EFFICACY	96lm/W@3000K
FULL WIDTH AT HALF MAXIMUM (OPTICS)	110°
MATERIAL	Polyurethane
AMBIENT OPERATING TEMPERATURE	-20°C ~ +55°C
STORAGE TEMPERATURE	-25°C ~ +60°C
LIFETIME	50,000 hours/L70 at 25°C
DIMENSIONS	1000(L)*13(W)*4(H) mm, Max 3meters
CABLE LENGTH	300mm
CONTROL SYSTEM	ON/OFF, DMX, 0-10V Dim
MOUNTING TYPE	Aluminium Profile
IP RATING	IP67

FEATURES & OPTIONS

-  01
 02
 03
 04
 05

01. L80/B10 > 50.000 H

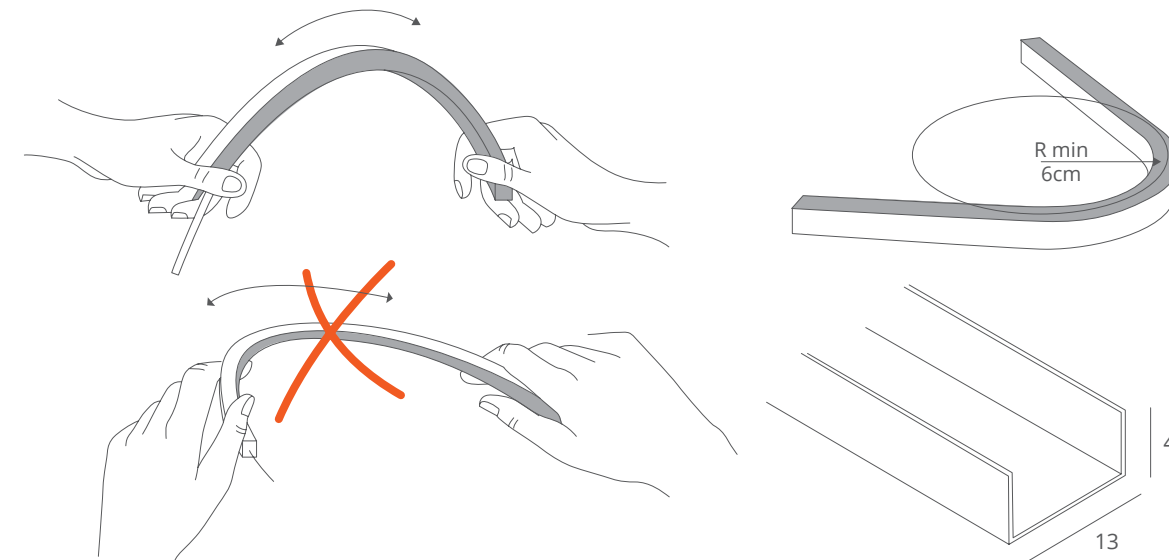
02. SOLVENTS RESISTANCE

03. EASY INSTALLATION

04. IP67

05. UV protect

DIMENSIONS



*all units are in mm

OPTIC SELECTION



110°

LED	Lumens	Watts	Efficacy
WHITE	552.00	6W	92.00

CenterBeamLux	Illuminance at Distance
552.84 lx	0.3 m
184.46 lx	0.7 m
92.32 lx	1.0 m
48.36 lx	1.3 m
32.11 lx	1.7 m
21.52 lx	2.0 m

■ Ver. Spread: 113.5° ■ Horiz. Spread: 109.3°

2700K



110°

LED	Lumens	Watts	Efficacy
WHITE	577.74	6W	96.29

CenterBeamLux	Illuminance at Distance
577.74 lx	0.3 m
288.87 lx	0.7 m
152.03 lx	1.0 m
80.01 lx	1.3 m
53.34 lx	1.7 m
35.56 lx	2.0 m

■ Ver. Spread: 113.5° ■ Horiz. Spread: 109.3°

3000K

FLEX AQUA HIGH 16

AQUA ave

Ultra flexible body designed for any curve or shape. The high quality diffuser creates smooth light for direct view with high CRI>90, Various length versions are available upon request, The system provides seamless continuous connection for lighting.



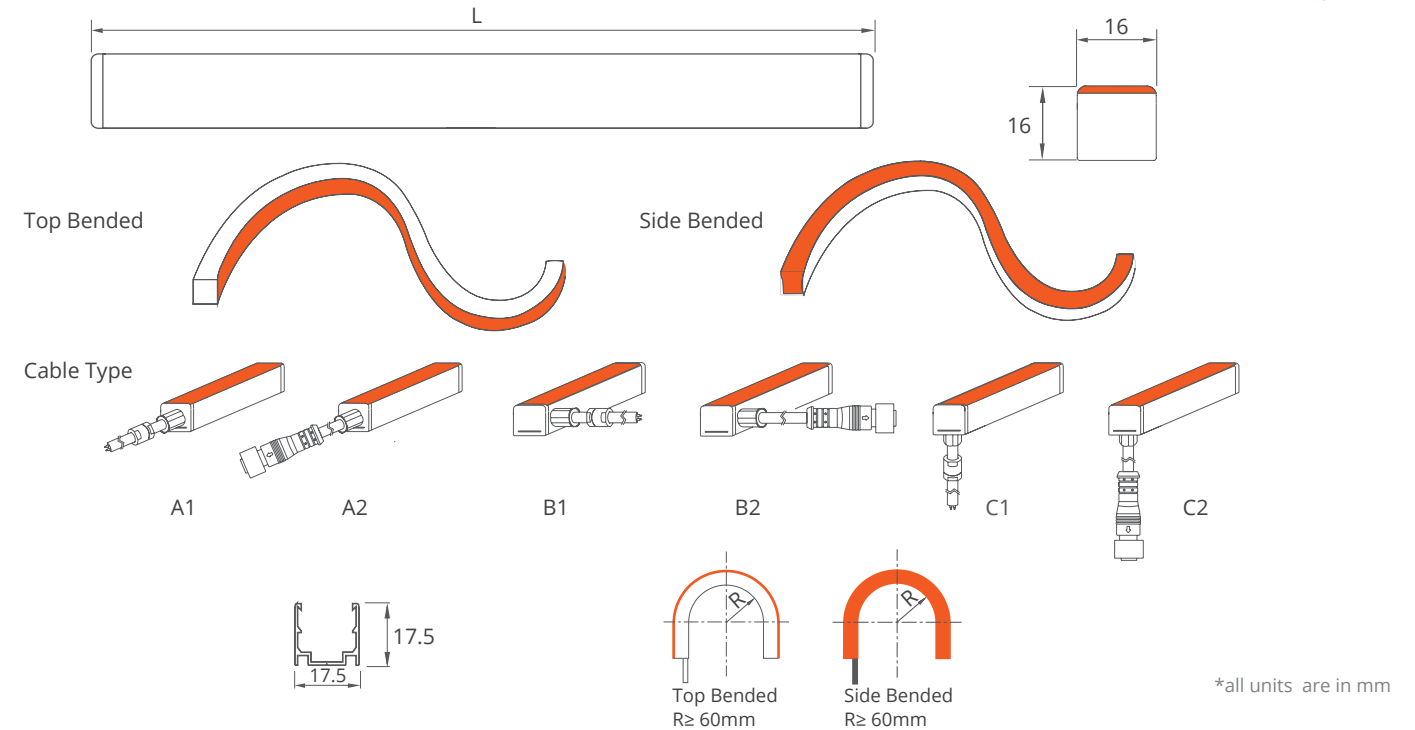
SPECIFICATION

MODEL	FLEX AQUA HIGH 16
OPERATING VOLTAGE	24V DC
POWER CONSUMPTION	6W/meter, 9.6W/meter, 14.4W/meter(RGBW)
LED TYPE	SMD
COLOUR RANGE	2700K, 3000K, 4000K, 4000K, 5000K, Tunable White, RGB, RGBW
CRI	90min, 80min
PRODUCT EFFICACY	61.23lm/W@3000K
FULL WIDTH AT HALF MAXIMUM (OPTICS)	120°
MATERIAL	Polyurethane
AMBIENT OPERATING TEMPERATURE	-20°C ~ +55°C
STORAGE TEMPERATURE	-25°C ~ +60°C
LIFETIME	50,000 hours/L70 at 25°C
DIMENSIONS	1000(L)*16(W)*16(H)mm, Max 3meters, ETO Length available
CABLE LENGTH	300mm
CONTROL SYSTEM	ON/OFF, DMX, 0-10V Dim
MOUNTING TYPE	Aluminum Profile or SS Clamps
IP RATING	IP67

FEATURES & OPTIONS

- 01.  L80/B10 > 50.000 H
- 02.  SOLVENTS RESISTANCE
- 03.  EASY INSTALLATION
- 04.  IP67
- 05.  UV protect

DIMENSIONS



OPTIC SELECTION



120°

LED	Lumens	Watts	Efficacy
WHITE	336.76	5.50	61.23

CenterBeamLux	Illuminance at Distance
336.26 lx	0.3 m
134.33 lx	0.7 m
67.14 lx	1.0 m
35.71 lx	1.3 m
23.59 lx	1.7 m
15.73 lx	2.0 m

Ver. Spread: 125.4° Horiz. Spread: 162.7°



120°

LED	Lumens	Watts	Efficacy
WHITE	535.29	9.60	55.76

CenterBeamLux	Illuminance at Distance
534.68 lx	0.3 m
213.91 lx	0.7 m
106.58 lx	1.0 m
56.04 lx	1.3 m
37.08 lx	1.7 m
25.53 lx	2.0 m

Ver. Spread: 128.0° Horiz. Spread: 162.5°

3000K

FLEX AQUA SIDE 19



Ultra flexible body designed for any curve or shape. The high quality diffuser creates smooth light for direct view with high CRI>90, Various length versions are available upon request, The system provides seamless continuous connection for lighting.



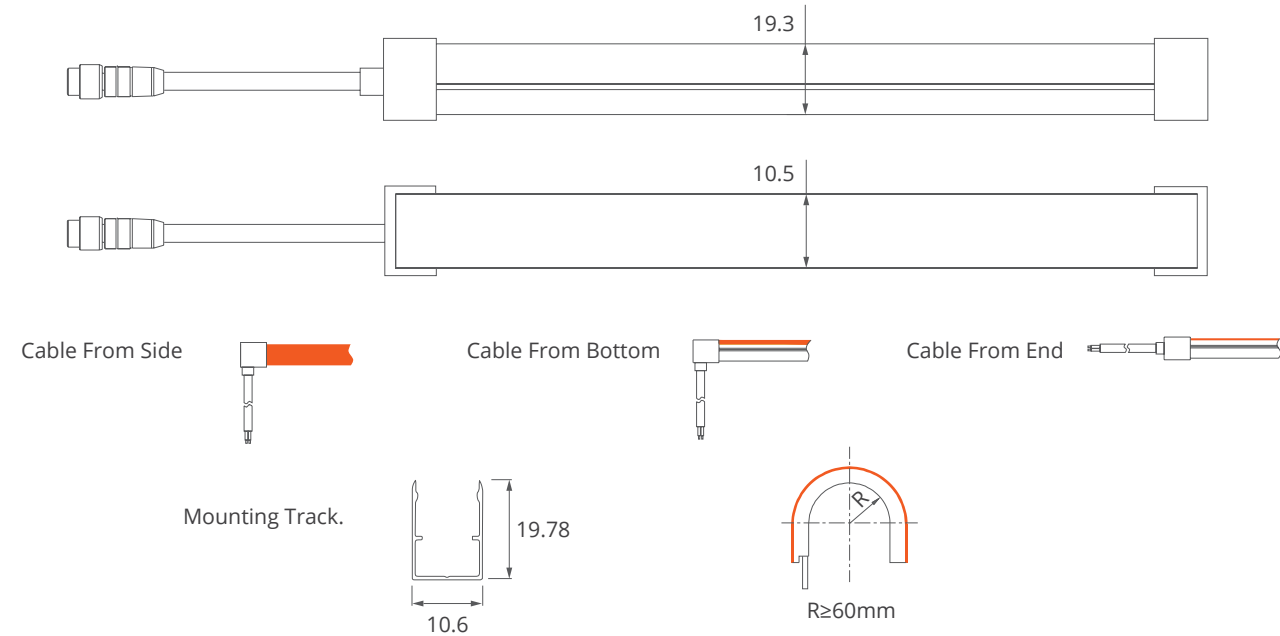
SPECIFICATION

MODEL	FLEX AQUA SIDE 19
OPERATING VOLTAGE	24V DC
POWER CONSUMPTION	6W/meter, 9.6W/meter, 14.4W/meter(RGBW)
LED TYPE	SMD
COLOUR RANGE	2400K, 2700K, 3000K, 4000K, 5000K, Tunable White, RGB, RGBW
CRI	90min, 80min
PRODUCT EFFICACY	63lm/W@3000K
FULL WIDTH AT HALF MAXIMUM (OPTICS)	120°
MATERIAL	Polyurethane
AMBIENT OPERATING TEMPERATURE	-20°C ~ +°55C
STORAGE TEMPERATURE	-25°C ~ +60°C
LIFETIME	50,000 hours/L70 at 25°C
DIMENSIONS	1000(L)*10.5(W)*19.3(H) mm, Max 3meters, ETO Length available
CABLE LENGTH	300mm
CONTROL SYSTEM	ON/OFF, DMX, 0-10V Dim
MOUNTING TYPE	Aluminum Profile or SS Clamps
IP RATING	IP67

FEATURES & OPTIONS

- | | |
|---|---|
|  01. L80/B10 > 50.000 H |  03. EASY INSTALLATION |
|  02. SOLVENTS RESISTANCE |  04. IP67 |
|  03. SOLVENTS RESISTANCE |  05. UV protect |
|  04. SOLVENTS RESISTANCE | |
|  05. UV protect | |

DIMENSIONS



*all units are in mm

OPTIC SELECTION



120°

LED	Lumens	Watts	Efficacy
WHITE	336.76	5.50	63.14

CenterBeamLux	Illuminance at Distance
336.26 lx	0.3 m
134.33 lx	0.7 m
67.14 lx	1.0 m
35.71 lx	1.3 m
23.59 lx	1.7 m
15.73 lx	2.0 m

■ Ver. Spread: 125.4° ■ Horiz. Spread: 162.7°



120°

LED	Lumens	Watts	Efficacy
WHITE	595.00	9.60	61.97

CenterBeamLux	Illuminance at Distance
534.68 lx	0.3 m
213.91 lx	0.7 m
106.58 lx	1.0 m
56.04 lx	1.3 m
37.08 lx	1.7 m
25.53 lx	2.0 m

■ Ver. Spread: 128.0° ■ Horiz. Spread: 162.5°

3000K

FOUNTAIN 42



The main frame is composed of marine grade Stainless Steel 316.



SPECIFICATION

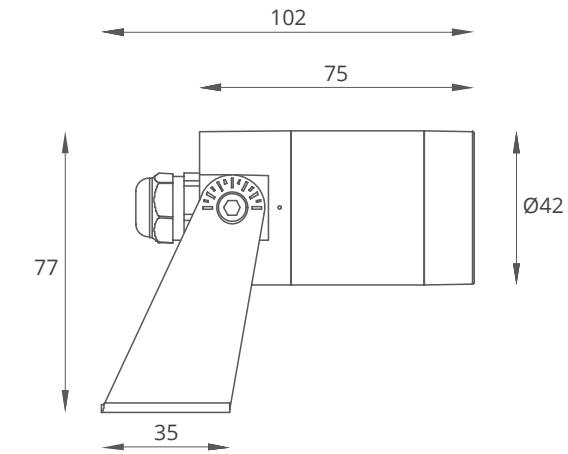
MODEL	FOUNTAIN 42
OPERATING VOLTAGE	12V DC, 24V DC
POWER CONSUMPTION	4W
LED TYPE	High Power LED
COLOUR RANGE	3000K, 4000K, 6000K, RGBW
CRI	80min
PRODUCT EFFICACY	62lm/W@3000K
FULL WIDTH AT HALF MAXIMUM (OPTICS)	13°, 25°, 40°, 60°
MATERIAL	Marine Grade Stainless Steel 316
AMBIENT OPERATING TEMPERATURE	-20°C ~ +40°C
STORAGE TEMPERATURE	-25°C ~ +60°C
LIFETIME	50,000 hours/L70 at 25°C
DIMENSIONS	102(L)*42(Ø)*77(H) mm
CABLE LENGTH	1000mm
CONTROL SYSTEM	TRIAC, PWM/0-10V, DALI, DMX
MOUNTING TYPE	Under Water
IP RATING	IP68

FEATURES & OPTIONS



- 01. RGB
- 02. RGBW
- 03. IP68
- 04. DMX
- 05. DALI

DIMENSIONS



*all units are in mm

OPTIC SELECTION



13°

LED	Lumens	Watts	Efficacy
WHITE	248.56	4.0	62.14

CenterBeamLux	Illuminance at Distance
3890.07 lx	0.4 m
972.34 lx	0.8 m
432.32 lx	1.3 m
243.12 lx	1.7 m
155.60 lx	2.1 m
108.05 lx	2.5 m

■ Ver. Spread: 13.4° ■ Horiz. Spread: 12.9°



60°

LED	Lumens	Watts	Efficacy
WHITE	247.88	4.0	61.97

CenterBeamLux	Illuminance at Distance
462.82 lx	0.4 m
115.70 lx	0.8 m
51.42 lx	1.3 m
28.92 lx	1.7 m
18.51 lx	2.1 m
12.85 lx	2.5 m

■ Ver. Spread: 60.0° ■ Horiz. Spread: 61.5°

3000K

WARNING: Must be installed under the water to prevent the light from being burnt off because of over-heating.

FOUNTAIN 95

AQUA ave

The main frame is composed of marine grade Stainless Steel 316.



SPECIFICATION

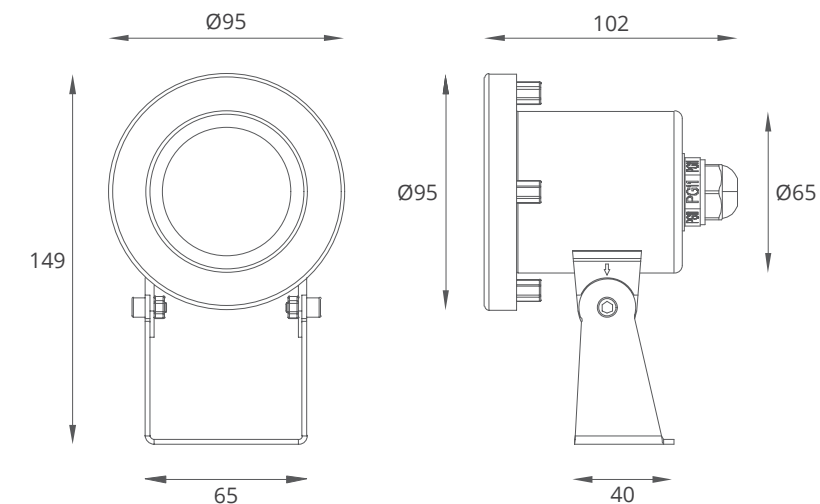
MODEL	FOUNTAIN 95
OPERATING VOLTAGE	12V DC, 24V DC
POWER CONSUMPTION	9W
LED TYPE	High Power LED
COLOUR RANGE	3000K, 4000K, 6000K, RGBW
CRI	80min
PRODUCT EFFICACY	68lm/W@3000K
FULL WIDTH AT HALF MAXIMUM (OPTICS)	10°, 25°, 40°, 60°
MATERIAL	Marine Grade Stainless Steel 316
AMBIENT OPERATING TEMPERATURE	-20°C ~ +40°C
STORAGE TEMPERATURE	-25°C ~ +60°C
LIFETIME	50,000 hours/L70 at 25°C
DIMENSIONS	102(L)*95(Ø)*149(H) mm
CABLE LENGTH	1000mm
CONTROL SYSTEM	TRIAC, PWM/0-10V, DALI, DMX512
MOUNTING TYPE	Under Water
IP RATING	IP68

FEATURES & OPTIONS



- 01. RGB
- 02. RGBW
- 03. IP68
- 04. DMX
- 05. DALI

DIMENSIONS



*all units are in mm

OPTIC SELECTION



25°

LED	Lumens	Watts	Efficacy
WHITE	613.26	9.00	68.14

CenterBeamLux	Illuminance at Distance
587.99 lx	02.0 m
147.00 lx	04.0 m
65.33 lx	06.0 m
36.75 lx	08.0 m
23.52 lx	10.0 m
16.33 lx	12.0 m

■ Ver. Spread: 26.0° ■ Horiz. Spread: 25.9°



60°

LED	Lumens	Watts	Efficacy
WHITE	514.08	9.00	57.12

CenterBeamLux	Illuminance at Distance
487.99 lx	02.0 m
117.00 lx	04.0 m
55.33 lx	06.0 m
26.75 lx	08.0 m
13.52 lx	10.0 m
9.33 lx	12.0 m

■ Ver. Spread: 60.6° ■ Horiz. Spread: 59.9°

3000K

WARNING: Must be installed under the water to prevent the light from being burnt off because of over-heating.



COLOUR  **ave**

The **COLOURWAVE** series includes a variety of LED lighting with different models and colour options. This series while being compact and light weight, also offers the most vivid colour which is emitted saturated and transition smoothly. Taking advantage of precise control technology, the series offers flicker free light without noise emission.

DIRECT VIEW PIXEL MIDI SLIM

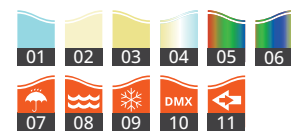
The unique milky cover offers smooth light without any visible LED hot spots, The 2 steps bin selection provides uniform light output upon request, Ultra slim body results in easy installation.



SPECIFICATION

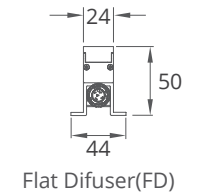
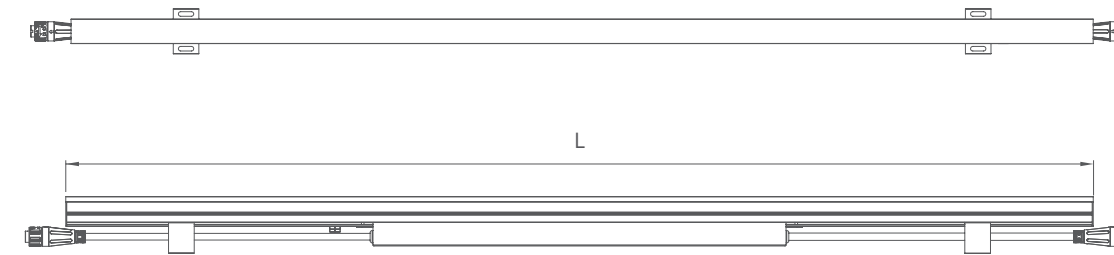
MODEL	DIRECT VIEW PIXEL MIDI SLIM
OPERATING VOLTAGE	24V DC, 48V DC
POWER CONSUMPTION	12W/1220mm (6PXL/1220mm, 10PXL/1220mm, 20PXL/1220mm, 60PXL/1220mm)
LED TYPE	SMD
COLOUR TEMP OPTION	2400K, 2700K, 3000K, 4000K, 5000K, Tunable White, RGB, RGBW
CRI	90min, 80min
PRODUCT EFFICACY	72lm/W@3000K
FULL WIDTH AT HALF MAXIMUM (OPTICS)	120°
MATERIAL	PMMA + AL
AMBIENT OPERATING TEMPERATURE	-20°C ~ +55°C
STORAGE TEMPERATURE	25°C ~ +60°C
LIFETIME	50,000 hours/L70 at 25°C
DIMENSIONS	1220(L)*24(W)*50(H)mm(Flat Diffuser), 305/610/1000mm available 1220(L)*24(W)*55(H)mm(Dome Diffuser), 305/610/1000mm available
CABLE LENGTH	300mm
CONTROL SYSTEM	ON/OFF, DMX/RDM, 0-10V Dim
MOUNTING TYPE	Surface
IP RATING	IP66

FEATURES & OPTIONS

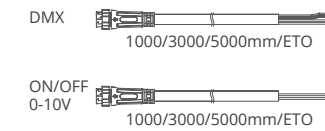


- | | | |
|--------|-----------------|-----------|
| 01. CW | 05. RGB | 09. POLAR |
| 02. NW | 06. RGBW | 10. DMX |
| 03. WW | 07. IP66 | 11. RDM |
| 04. DW | 08. ANTI-SALINE | |

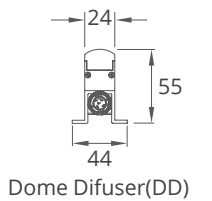
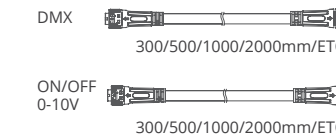
DIMENSIONS



Leader Cable



Jumper Cable



*all units are in mm

OPTIC SELECTION



LED	Lumens	Watts	Efficacy
WHITE	886.16	12.00	72.18

CenterBeamLux	Illuminance at Distance
3402.00 lx	0.3 m
850.50 lx	0.7 m
378.00 lx	1.0 m
212.63 lx	1.3 m
136.08 lx	1.7 m
94.50 lx	2.0 m

■ Ver. Spread: 114.0° ■ Horiz. Spread: 112.7°

3000K



LED	Lumens	Watts	Efficacy
RGBW	651.90	12.00	54.33

CenterBeamLux	Illuminance at Distance
2007.18 lx	0.3 m
501.80 lx	0.7 m
223.02 lx	1.0 m
125.45 lx	1.3 m
80.29 lx	1.7 m
55.76 lx	2.0 m

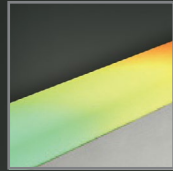
■ Ver. Spread: 114.0° ■ Horiz. Spread: 112.7°



DIRECT VIEW PIXEL AC

COLOURwave

The unique optical PMMA diffuser offers shadowless and smooth mixing colour, The wide flat cover brings eye-catching effect, Rapid easy Installation is achieved with the built in power supply and quick plug connectors, The connection can be extended up to 38 meters.



SPECIFICATION

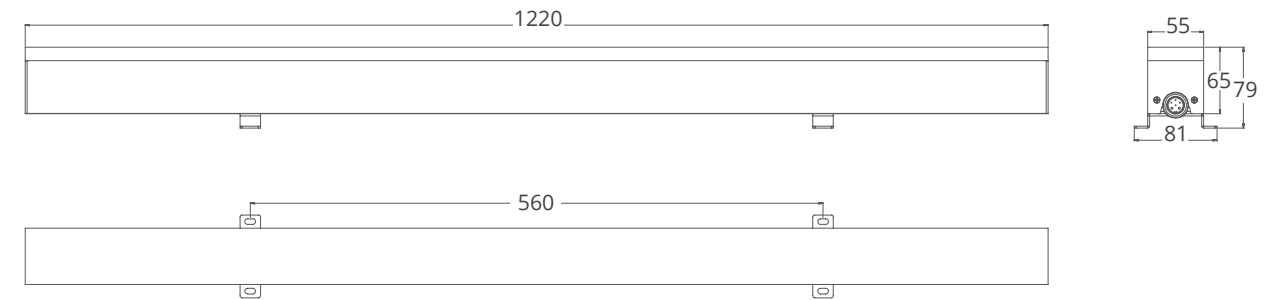
MODEL	DIRECT VIEW PIXEL AC
OPERATING VOLTAGE	AC 100-240V
POWER CONSUMPTION	8W/305mm, 32W/1220mm (16PXL Max/1220mm)
LED TYPE	SMD
COLOUR TEMP OPTION	2700K, 3000K, 4000K, 5000K, Tunable White, RGB, RGBW
CRI	80min
PRODUCT EFFICACY	38lm/W@3000K
FULL WIDTH AT HALF MAXIMUM (OPTICS)	150°
MATERIAL	Aluminum + PC Cover
AMBIENT OPERATING TEMPERATURE	-20°C ~ +55°C
STORAGE TEMPERATURE	-25°C ~ +60°C
LIFETIME	50,000 hours/L70 at 25°C
DIMENSIONS	1220(L)*55(W)*65(H)mm 305/610/1000mm available
CABLE LENGTH	150mm
CONTROL SYSTEM	DMX/RDM
MOUNTING TYPE	Surface
IP RATING	IP66

FEATURES & OPTIONS



- | | | |
|--------|-----------------|-----------|
| 01. CW | 05. RGB | 09. POLAR |
| 02. NW | 06. RGBW | 10. DMX |
| 03. WW | 07. IP66 | 11. RDM |
| 04. DW | 08. ANTI-SALINE | |

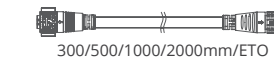
DIMENSIONS



Leader Cable



Jumper Cable



*all units are in mm

OPTIC SELECTION



LED	Lumens	Watts	Efficacy
RGBW	918.40	32.00	28.70
R	137.80	05.74	24.00
G	263.69	08.44	31.24
B	42.14	07.92	05.32
W	339.62	08.90	38.16

CenterBeamLux	Illuminance at Distance
329.81 lx	0.8 m
82.46 lx	1.7 m
36.64 lx	2.5 m
20.60 lx	3.3 m
13.20 lx	4.2 m
9.14 lx	5.0 m

▪ Ver. Spread: 164.6° ▪ Horiz. Spread: 118.0°



DIRECT VIEW TUBE

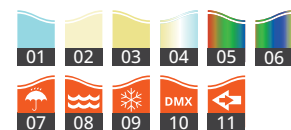
The unique optical PMMA diffuser offers shadowless and smooth mixing colour, The wide cover brings eye-catching effect, Rapid easy installation is achieved with the built in power supply and quick plug connectors, The connection can be extended up to 38 meters.



SPECIFICATION

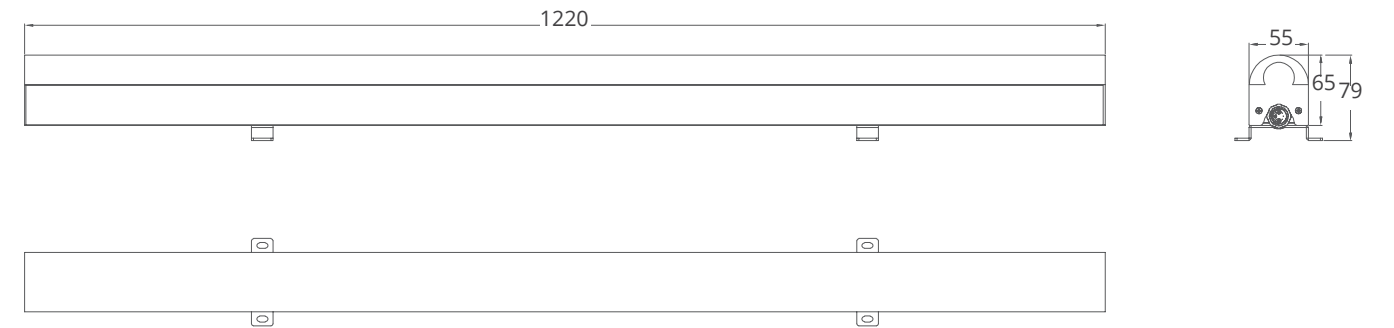
MODEL	DIRECT VIEW TUBE
OPERATING VOLTAGE	AC 100-240V
POWER CONSUMPTION	8W/305mm, 32W/1220mm (16 PXL Max/1220mm)
LED TYPE	SMD
COLOUR TEMP OPTION	2700K, 3000K, 4000K, 5000K, Tunable White, RGB, RGBW
CRI	80min
PRODUCT EFFICACY	38lm/W@3000K
FULL WIDTH AT HALF MAXIMUM (OPTICS)	150°
MATERIAL	Aluminum + PMMA Cover
AMBIENT OPERATING TEMPERATURE	-20°C ~ +55°C
STORAGE TEMPERATURE	-25°C ~ +60°C
LIFETIME	50,000 hours/L70 at 25°C
DIMENSIONS	1220(L)*55(W)*65(H)mm 305/610/1000mm available
CABLE LENGTH	150mm
CONTROL SYSTEM	DMX/RDM
MOUNTING TYPE	Surface
IP RATING	IP66

FEATURES & OPTIONS

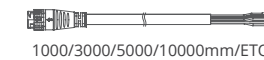


- 01. CW
- 02. NW
- 03. WW
- 04. DW
- 05. RGB
- 06. RGBW
- 07. IP66
- 08. ANTI-SALINE
- 09. POLAR
- 10. DMX
- 11. RDM

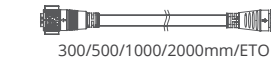
DIMENSIONS



Leader Cable



Jumper Cable



*all units are in mm

OPTIC SELECTION



LED	Lumens	Watts	Efficacy
RGBW	918.40	32.00	28.70
R	137.80	05.74	24.00
G	263.69	08.44	31.24
B	42.14	07.92	05.32
W	339.62	08.90	38.16

CenterBeamLux	Illuminance at Distance	
329.81 lx	0.8 m	
82.46 lx	1.7 m	
36.64 lx	2.5 m	
20.60 lx	3.3 m	
13.20 lx	4.2 m	
9.14 lx	5.0 m	

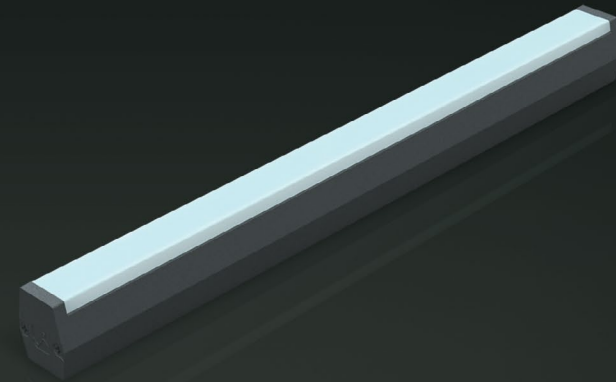
■ Ver. Spread: 164.6° ■ Horiz. Spread: 118.0°



CONTINUES-25 DIRECT VIEW PIXEL

COLOURwave

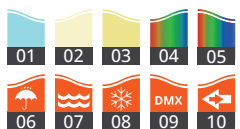
IP66, Outdoor Resistance
Chemical Resistance Temperature Resistance
Flamme Resistance Abrasion And Wear Resistance.



SPECIFICATION

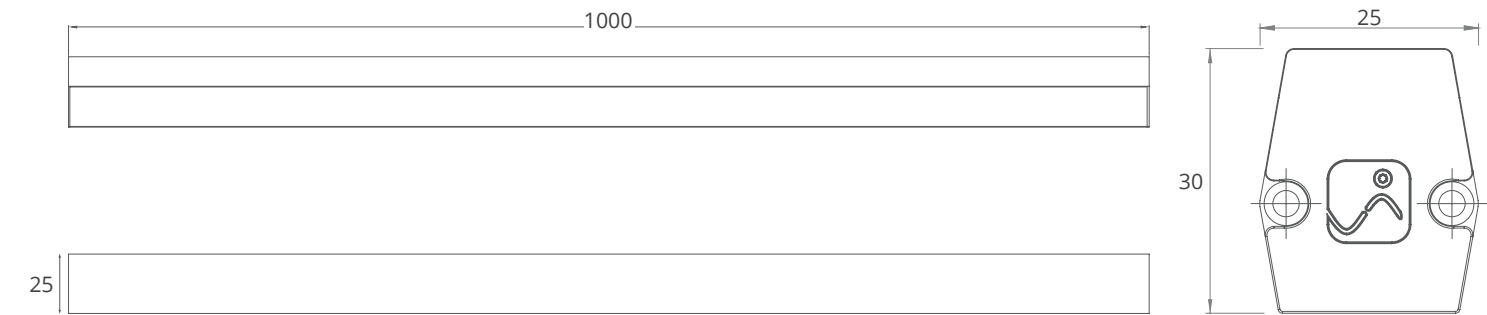
MODEL	CONTINUES-25 DIRECT VIEW PIXEL
OPERATING VOLTAGE	24V DC
POWER CONSUMPTION	9.6W/1000mm, 14.4W/1000mm (16PXL Max/M)
LED TYPE	SMD
COLOUR TEMP OPTION	2700K, 3000K, 4000K, 5000K, 6000K, RGB, RGBW
CRI	80min, 90min
PRODUCT EFFICACY	38lm/W@RGBW
FULL WIDTH AT HALF MAXIMUM (OPTICS)	120°
MATERIAL	PMMA + AL Body
AMBIENT OPERATING TEMPERATURE	-20°C ~ +55°C
STORAGE TEMPERATURE	-25°C ~ +60°C
LIFETIME	50,000 hours/L80 at 25°C
DIMENSIONS	1000(L)*25(W)*30(H)mm
CABLE LENGTH	300mm
CONTROL SYSTEM	ON/OFF, DMX
MOUNTING TYPE	Surface
IP RATING	IP66

FEATURES & OPTIONS

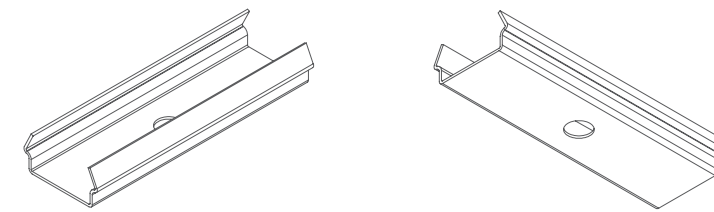


- | | | |
|---------|-----------------|---------|
| 01. CW | 05. RGBW | 09. DMX |
| 02. NW | 06. IP66 | 10. RDM |
| 03. WW | 07. ANTI-SALINE | |
| 04. RGB | 08. POLAR | |

DIMENSIONS



Mounting Clip



*all units are in mm

OPTIC SELECTION



LED	Lumens	Watts	Efficacy
RGBW	413.28	14.40	28.70
R	66.96	02.79	24.00
G	126.52	04.05	31.24
B	20.27	03.81	05.32
W	165.99	04.35	38.16

CenterBeamLux	Illuminance at Distance
109.93 lx	0.8 m
27.48 lx	1.7 m
12.21 lx	2.5 m
06.86 lx	3.3 m
04.40 lx	4.2 m
03.04 lx	5.0 m

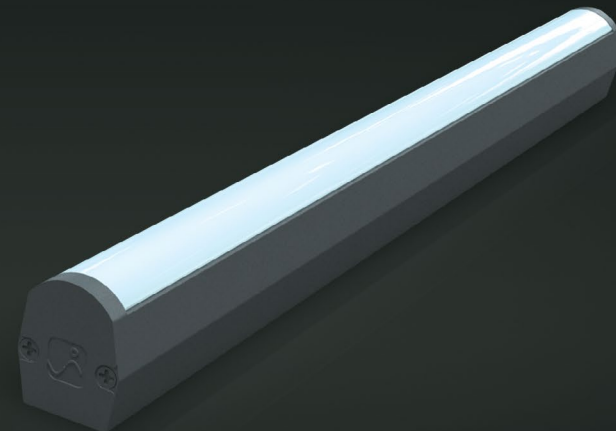
▪ Ver. Spread: 121.6° ▪ Horiz. Spread: 121.0°



CONTINUES-25 DIRECT VIEW TUBE

COLOURwave

IP66, Outdoor Resistance
Chemical Resistance Temperature Resistance
Flamme Resistance Abrasion And Wear Resistance.



SPECIFICATION

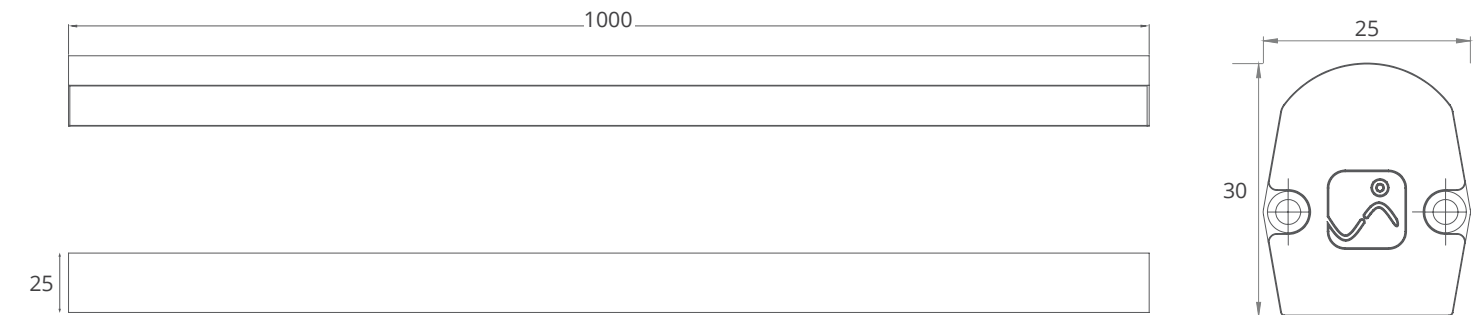
MODEL	CONTINUES-25 DIRECT VIEW TUBE
OPERATING VOLTAGE	24V DC
POWER CONSUMPTION	9.6W/1000mm, 14.4W/1000mm (16PXL Max/M)
LED TYPE	SMD
COLOUR TEMP OPTION	2700K, 3000K, 4000K, 5000K, 6000K, RGB, RGBW
CRI	80min, 90min
PRODUCT EFFICACY	38lm/W@RGBW
FULL WIDTH AT HALF MAXIMUM (OPTICS)	120°
MATERIAL	PMMA + AL Body
AMBIENT OPERATING TEMPERATURE	-20°C ~ +55°C
STORAGE TEMPERATURE	-25°C ~ +60°C
LIFETIME	50,000 hours/L80 at 25°C
DIMENSIONS	1000(L)*25(W)*30(H)mm
CABLE LENGTH	300mm
CONTROL SYSTEM	ON/OFF, DMX
MOUNTING TYPE	Surface
IP RATING	IP66

FEATURES & OPTIONS

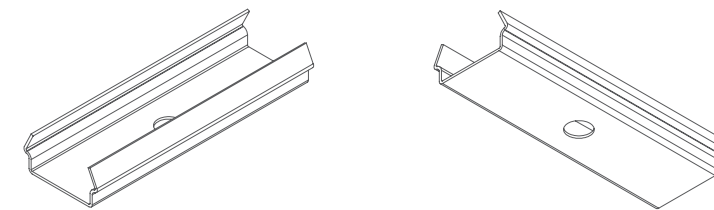


- | | | |
|---------|-----------------|---------|
| 01. CW | 05. RGBW | 09. DMX |
| 02. NW | 06. IP66 | 10. RDM |
| 03. WW | 07. ANTI-SALINE | |
| 04. RGB | 08. POLAR | |

DIMENSIONS



Mounting Clip



*all units are in mm

OPTIC SELECTION



120°

LED	Lumens	Watts	Efficacy
RGBW	413.28	14.40	28.70
R	66.96	02.79	24.00
G	126.52	04.05	31.24
B	20.27	03.81	05.32
W	165.99	04.35	38.16

CenterBeamLux	Illuminance at Distance
109.93 lx	0.8 m
27.48 lx	1.7 m
12.21 lx	2.5 m
06.86 lx	3.3 m
04.40 lx	4.2 m
03.04 lx	5.0 m

Ver. Spread: 121.6° Horiz. Spread: 121.0°



DOT 26

A vivid fusion of colours, A high purity of white, Extreme smooth chromatic transition power by automated DMX to SPI control system, Max 0.5w/dot for skyscraper outline, Dot spacing can be customized.

COLOUR^Wave



SPECIFICATION

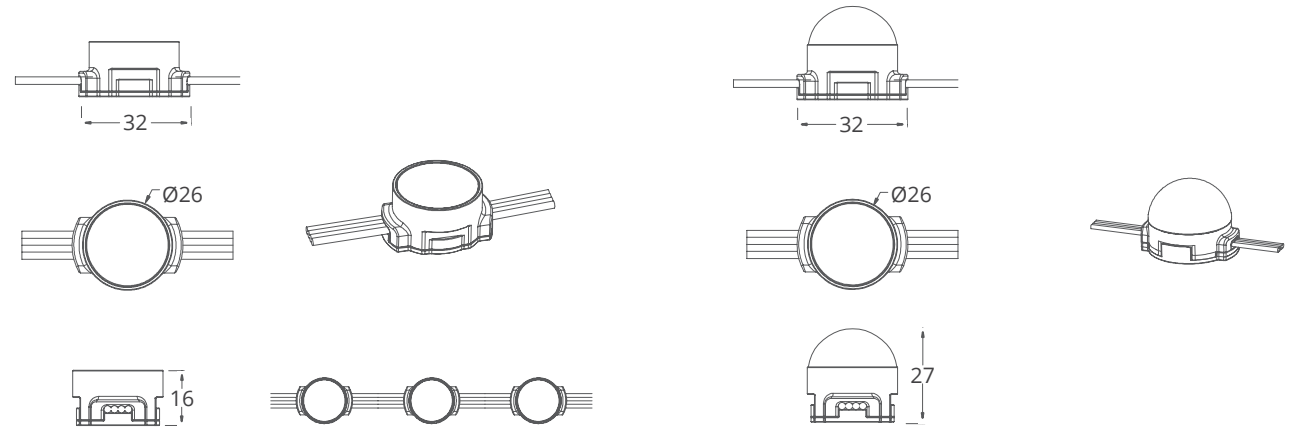
MODEL	DOT 26
OPERATING VOLTAGE	12V DC
POWER CONSUMPTION	0.5W Max (32 PXL Max/500mm)
LED TYPE	SMD
COLOUR TEMP OPTION	2700K, 3000K, 4000K, 5000K, Tunable White, RGB, RGBW, RGBA
CRI	90min, 80min
PRODUCT EFFICACY	64lm/W@3000K
FULL WIDTH AT HALF MAXIMUM (OPTICS)	120°
MATERIAL	Aluminum + PC
AMBIENT OPERATING TEMPERATURE	-20°C ~ +55°C
STORAGE TEMPERATURE	-25°C ~ +60°C
LIFETIME	50,000 hours/L70 at 25°C
DIMENSIONS	Ø26*16(H)mm(Clear Flat Cover), Ø25*27(H)mm(Frosted Dome Cover)
CABLE LENGTH	300mm
CONTROL SYSTEM	DMX to SPI
MOUNTING TYPE	Surface
IP RATING	IP66

FEATURES & OPTIONS

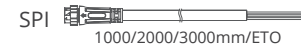


- | | | |
|--------|----------|-----------------|
| 01. CW | 05. RGB | 09. ANTI-SALINE |
| 02. NW | 06. RGBW | 10. POLAR |
| 03. WW | 07. RGBA | 11. DMX |
| 04. DW | 08. IP66 | 12. RDM |

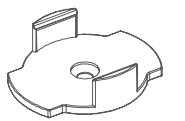
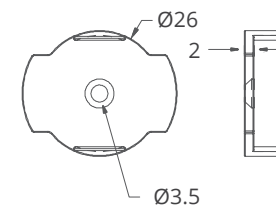
DIMENSIONS



Leader Cable



Mounting Clip



*all units are in mm

OPTIC SELECTION



120°

CenterBeamLux	Illuminance at Distance
41.51 lx	01.8 m
10.38 lx	03.7 m
04.61 lx	05.5 m
02.59 lx	07.3m
01.66 lx	09.2 m
1.15 lx	11.0 m

2700K

■ Ver. Spread: 140.0° ■ Horiz. Spread: 140.1°



120°

CenterBeamLux	Illuminance at Distance
60.85 lx	01.8 m
15.22 lx	03.7 m
6.76 lx	05.5 m
3.80 lx	07.3 m
2.44 lx	09.2 m
1.69 lx	11.0 m

3000K

■ Ver. Spread: 140.0° ■ Horiz. Spread: 140.1°

LED	Lumens	Watts	Efficacy
WHITE	32.02	0.50	64.06

DOT 40

A vivid fusion of colours, A high purity of white, Extreme smooth chromatic transition power by automated DMX to SPI control system, Max 1.5w/dot for skyscraper outline, Dot spacing can be customized.

COLOURwave



SPECIFICATION

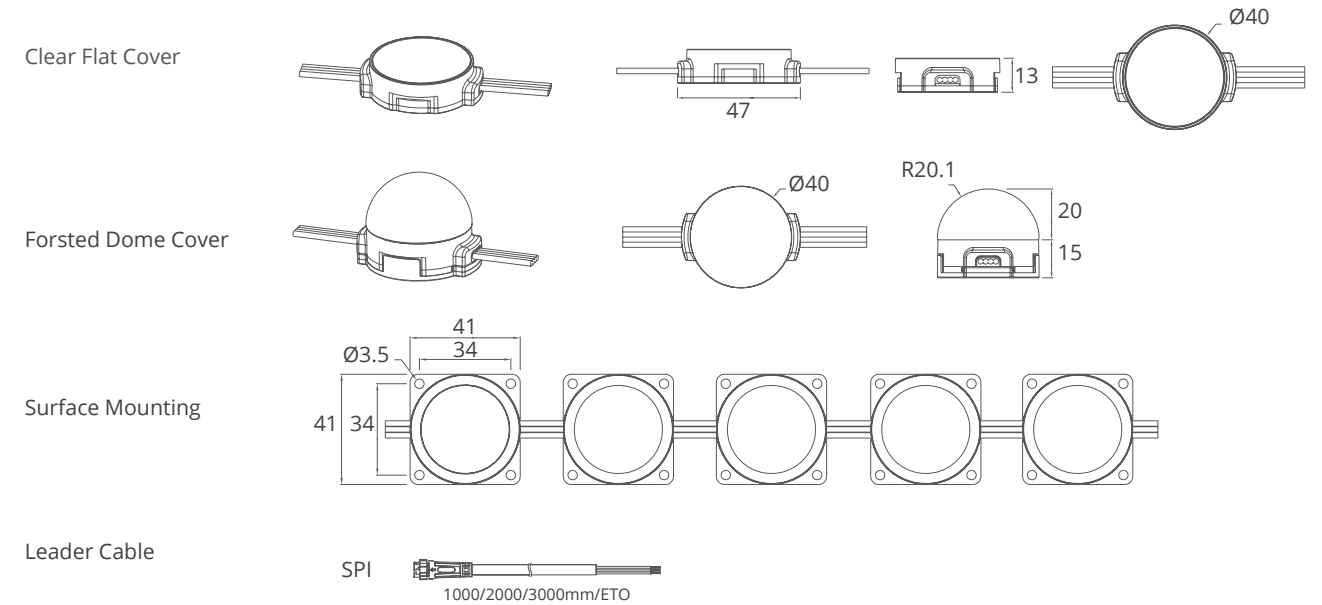
MODEL	DOT 40
OPERATING VOLTAGE	24V DC
POWER CONSUMPTION	1.5W Max (35PXL Max/M)
LED TYPE	SMD
COLOUR TEMP OPTION	2700K, 3000K, 4000K, 5000K, Tunable White, RGB, RGBW, RGBA
CRI	90min, 80min
PRODUCT EFFICACY	69lm/W@3000K
FULL WIDTH AT HALF MAXIMUM (OPTICS)	120°
MATERIAL	Aluminum + PC
AMBIENT OPERATING TEMPERATURE	-20°C ~ +55°C
STORAGE TEMPERATURE	-25°C ~ +60°C
LIFETIME	50,000 hours/L70 at 25°C
DIMENSIONS	Ø40*13(H)mm(Clear Flat Cover), Ø40*35(H)mm(Forsted Dome Cover)
CABLE LENGTH	300mm
CONTROL SYSTEM	DMX to SPI
MOUNTING TYPE	Surface
IP RATING	IP66

FEATURES & OPTIONS



- | | | |
|--------|----------|-----------------|
| 01. CW | 05. RGB | 09. ANTI-SALINE |
| 02. NW | 06. RGBW | 10. POLAR |
| 03. WW | 07. RGBA | 11. DMX |
| 04. DW | 08. IP66 | 12. RDM |

DIMENSIONS



*all units are in mm

OPTIC SELECTION



120°

CenterBeamLux	Illuminance at Distance
34.91 lx	0.8 m
08.72 lx	1.7 m
03.88 lx	2.5 m
02.18 lx	3.3 m
01.39 lx	4.2 m
00.97 lx	5.0 m

Ver. Spread: 121.0° Horiz. Spread: 121.0°

3000K



120°

CenterBeamLux	Illuminance at Distance
6.75 lx	0.8 m
1.68 lx	1.7 m
0.75 lx	2.5 m
0.47 lx	3.3 m
0.27 lx	4.2 m
0.19 lx	5.0 m

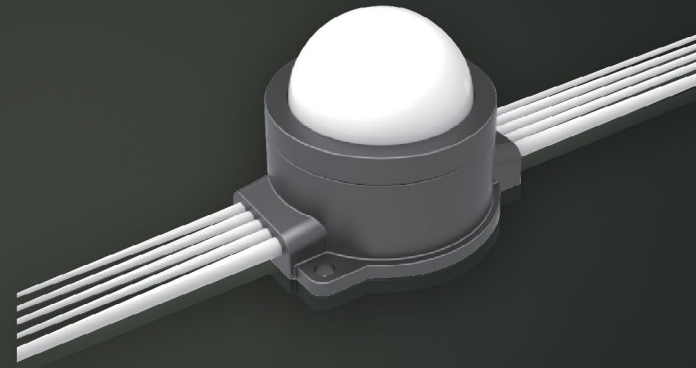
Ver. Spread: 128.2° Horiz. Spread: 128.3°



INSTA DOT 40

COLOUR^{wave}

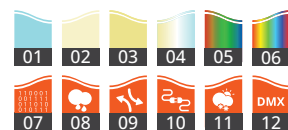
A vivid fusion of colours,
A high purity of white,
Extreme smooth chromatic transition
power by automated DMX control system,
Max 3.0w/dot for skyscraper outline,
Dot spacing can be customized.



SPECIFICATION

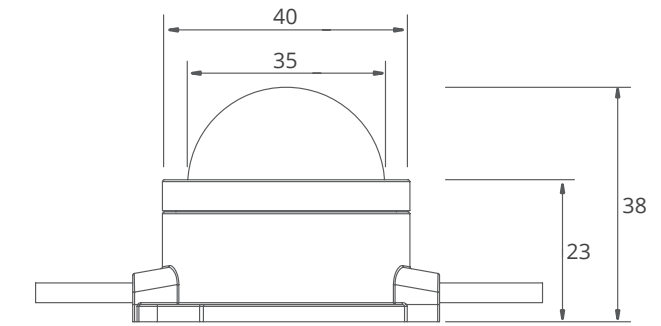
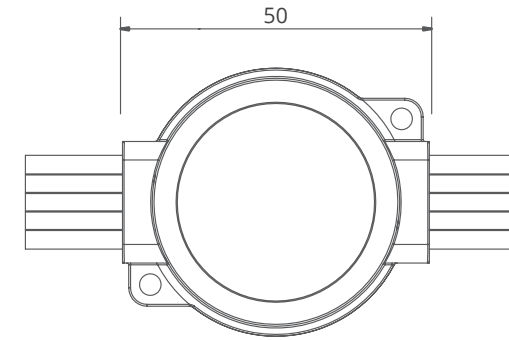
MODEL	INSTA DOT 40
OPERATING VOLTAGE	24V DC
POWER CONSUMPTION	2W, 3W(RGBW only), (32 PXL Max/2M)
LED TYPE	SMD
COLOUR TEMP OPTION	2700K, 3000K, 4000K, 5000K, Tunable, White, RGB, RGBW, RGBA
CRI	80min
PRODUCT EFFICACY	51lm/W@3000K
FULL WIDTH AT HALF MAXIMUM (OPTICS)	120°
MATERIAL	Aluminum + PC
AMBIENT OPERATING TEMPERATURE	-20°C ~ +55°C
STORAGE TEMPERATURE	-25°C ~ +60°C
LIFETIME	50,000 hours/L70 at 25°C
DIMENSIONS	Ø40*36mm
CABLE LENGTH	300mm
CONTROL SYSTEM	DMX
MOUNTING TYPE	Surface
IP RATING	IP66

FEATURES & OPTIONS



- | | | | |
|--------|---------------------|-----------------------|--------------------------|
| 01. CW | 05. RGB | 08. IP66 | 11. EXTREME ENVIRONMENTS |
| 02. NW | 06. RGBA | 09. ADJUSTABLE | 12. DMX |
| 03. WW | 07. DYNAMIC CONTROL | 10. EASY INSTALLATION | |
| 04. DW | | | |

DIMENSIONS



*all units are in mm

OPTIC SELECTION



120°

CenterBeamLux	Illuminance at Distance
34.91 lx	0.8m
8.72 lx	1.7m
3.88 lx	2.5m
2.18 lx	3.3m
1.39 lx	4.2m
0.97 lx	5.0m

Ver. Spread: 121.0° Horiz. Spread: 121.0°

3000K



120°

LED	Lumens	Watts	Efficacy
RGBW	42.76	2.00	21.38
R	10.52	0.40	26.31
G	21.38	0.58	36.87
B	3.14	0.48	6.55
W	20.42	0.45	45.39

CenterBeamLux	Illuminance at Distance
6.75 lx	0.8m
1.68 lx	1.7m
0.75 lx	2.5m
0.47 lx	3.3m
0.27 lx	4.2m
0.19 lx	5.0m

Ver. Spread: 128.2° Horiz. Spread: 128.3°



INSTA DOT 42SQ

COLOUR^Wave

A vivid fusion of colours,
A high purity of white,
Extreme smooth chromatic transition
power by automated DMX control system,
Dot spacing can be customized.



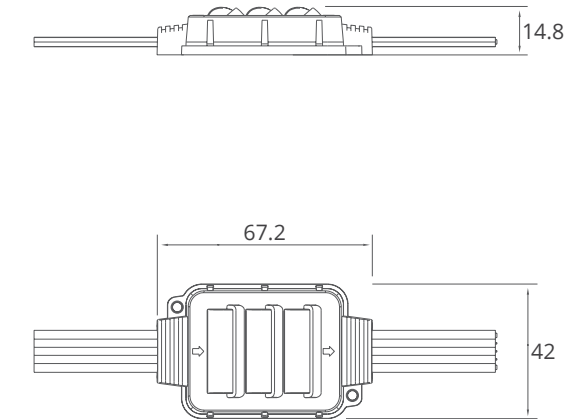
SPECIFICATION

MODEL	INSTA DOT 42SQ
OPERATING VOLTAGE	24V DC
POWER CONSUMPTION	2W (32 PXL Max/2M)
LED TYPE	SMD
COLOUR TEMP OPTION	2700K, 3000K, 4000K, 5000K, Tunable White, RGB, RGBW, RGBA
CRI	80min
PRODUCT EFFICACY	55lm/W@3000K
FULL WIDTH AT HALF MAXIMUM (OPTICS)	120°
MATERIAL	PC
AMBIENT OPERATING TEMPERATURE	-20°C ~ +55°C
STORAGE TEMPERATURE	-25°C ~ +60°C
LIFETIME	50,000 hours/L70 at 25°C
DIMENSIONS	φ 67.2(L)*42(W)*14.8(H)mm
CABLE LENGTH	300mm
CONTROL SYSTEM	DMX
MOUNTING TYPE	Surface
IP RATING	IP66

FEATURES & OPTIONS

	01. CW	05. RGB	08. IP66	11. EXTREME ENVIRONMENTS
	02. NW	06. RGBA	09. ADJUSTABLE	12. DMX
	03. WW	07. DYNAMIC CON TROL	10. EASY INSTALLATION	
	04. DW			

DIMENSIONS



*all units are in mm

OPTIC SELECTION



120°

LED	Lumens	Watts	Efficacy
WHITE	111.02	2.00	55.51

CenterBeamLux	Illuminance at Distance
37.62 lx	0.8 m
9.40 lx	1.7 m
4.18 lx	2.5 m
2.35 lx	3.3 m
1.50 lx	4.2 m
1.04 lx	5.0 m

■ Ver. Spread: 121.0° ■ Horiz. Spread: 121.0°

3000K



120°

LED	Lumens	Watts	Efficacy
RGBW	55.08	2.00	27.54
R	11.44	0.40	28.61
G	24.45	0.58	42.17
B	03.52	0.48	07.34
W	21.77	0.45	48.32

CenterBeamLux	Illuminance at Distance
7.42 lx	0.8 m
1.84 lx	1.7 m
0.82 lx	2.5 m
0.51 lx	3.3 m
0.29 lx	4.2 m
0.21 lx	5.0 m

■ Ver. Spread: 128.2° ■ Horiz. Spread: 128.3°



DOT 48

A vivid fusion of colours, A high purity of white, Extreme smooth chromatic transition due to automated DMX control system, Max 3w/dot for skyscraper outline, Dot spacing can be customized.

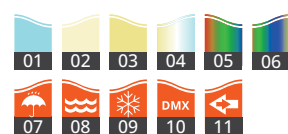
COLOURwave



SPECIFICATION

MODEL	DOT 48
OPERATING VOLTAGE	24V DC
POWER CONSUMPTION	3W Max (25 PXL Max/M)
LED TYPE	SMD
COLOUR TEMP OPTION	2700K 3000K, 4000K, 5000K, Tunable White, RGB, RGBW
CRI	80min
PRODUCT EFFICACY	69lm/W@3000K
FULL WIDTH AT HALF MAXIMUM (OPTICS)	120°
MATERIAL	Aluminum + PMMA Cover
AMBIENT OPERATING TEMPERATURE	-20°C ~ +55°C
STORAGE TEMPERATURE	-25°C ~ +60°C
LIFETIME	50,000 hours/L70 at 25°C
DIMENSIONS	Ø48*48(H)mm(Frosted Dome Cover), Ø48*37(H)mm(Clear Flat Cover)
CABLE LENGTH	500mm
CONTROL SYSTEM	ON/OFF, DMX/RDM
MOUNTING TYPE	Surface
IP RATING	IP66

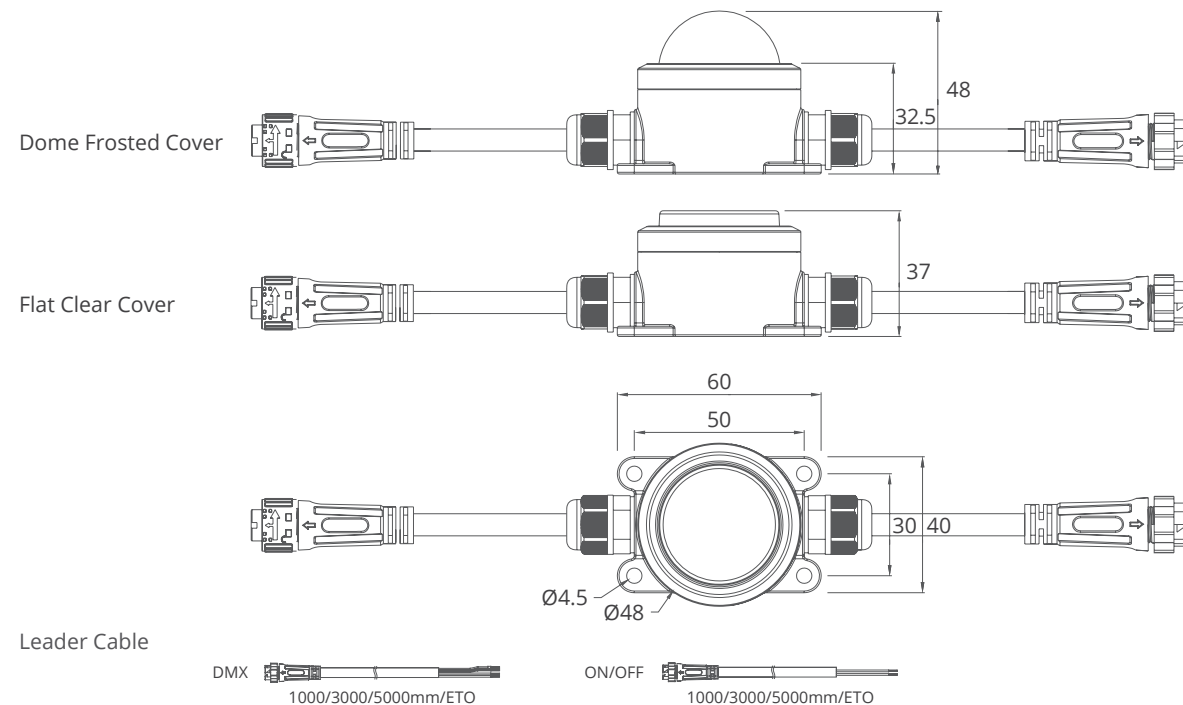
FEATURES & OPTIONS



- 01. CW
- 02. NW
- 03. WW
- 04. DW
- 05. RGB
- 06. RGBW
- 07. IP66
- 08. ANTI-SALINE
- 09. POLAR
- 10. DMX
- 11. RDM

*All rights reserved. Specification may change without prior notice

DIMENSIONS



*all units are in mm

OPTIC SELECTION



120°

CenterBeamLux	Illuminance at Distance
72.24 lx	0.8 m
18.06 lx	1.7 m
8.03 lx	2.5 m
4.52 lx	3.3m
2.89 lx	4.2 m
2.01 lx	5.0 m

■ Ver. Spread: 121.0° ■ Horiz. Spread: 121.0°

3000K



120°

LED	Lumens	Watts	Efficacy
RGBW	82.80	3.70	22.38
R	18.41	0.70	26.31
G	40.55	1.10	36.87
B	07.20	0.95	06.55
W	41.22	0.95	45.39

CenterBeamLux	Illuminance at Distance
16.65 lx	0.8 m
4.16 lx	1.7 m
1.85 lx	2.5 m
1.04 lx	3.3 m
0.67 lx	4.2 m
0.46 lx	5.0 m

■ Ver. Spread: 128.2° ■ Horiz. Spread: 128.3°



DOT 58

3 in 1 LED offers a fusion of well blended colours,
The compact dimension brings unlimited
pattern possibilities.

COLOURwave



SPECIFICATION

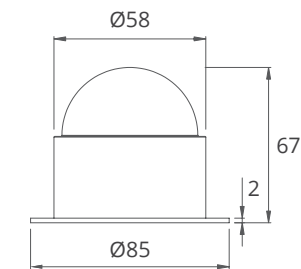
MODEL	DOT 58
OPERATING VOLTAGE	24V DC
POWER CONSUMPTION	5W Max (20PXL Max/M)
LED TYPE	SMD
COLOUR TEMP OPTION	2700K 3000K, 4000K, 5000K, RGB, RGBW
CRI	80min
PRODUCT EFFICACY	78lm/W@3000K
FULL WIDTH AT HALF MAXIMUM (OPTICS)	150°
MATERIAL	Aluminum + PC Cover
AMBIENT OPERATING TEMPERATURE	-20°C ~ +55°C
STORAGE TEMPERATURE	-25°C ~ +60°C
LIFETIME	50,000 hours/L70 at 25°C
DIMENSIONS	Ø58*67(H)mm
CABLE LENGTH	500mm
CONTROL SYSTEM	ON/OFF, DMX/RDM
MOUNTING TYPE	Surface
IP RATING	IP66

FEATURES & OPTIONS

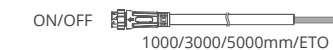
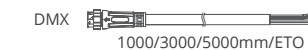
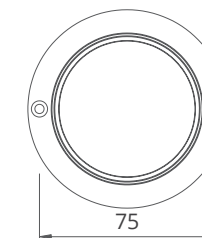


- | | | |
|---------|-----------------|---------|
| 01. CW | 05. RGBW | 09. DMX |
| 02. NW | 06. IP66 | 10. RDM |
| 03. WW | 07. ANTI-SALINE | |
| 04. RGB | 08. POLAR | |

DIMENSIONS



Leader Cable



*all units are in mm

OPTIC SELECTION



150°

CenterBeamLux	Illuminance at Distance
815.60 lx	0.8 m
297.92 lx	1.7 m
74.48 lx	2.5 m
29.77 lx	3.3m
14.91 lx	4.2 m
09.89 lx	5.0 m

3000K

Ver. Spread: 164.6° Horiz. Spread: 160.0°



150°

LED	Lumens	Watts	Efficacy
RGBW	225.95	5.00	45.19
R	40.59	0.93	44.00
G	77.31	1.35	57.13
B	12.20	1.27	09.58
W	100.05	1.45	69.00

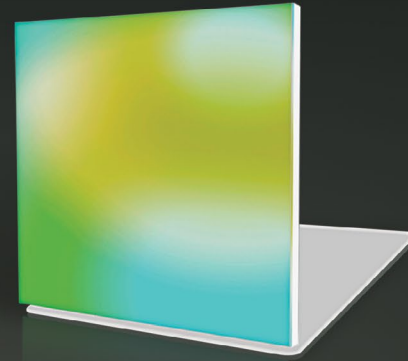
CenterBeamLux	Illuminance at Distance
493.20 lx	0.8 m
178.18 lx	1.7 m
44.54 lx	2.5 m
17.81 lx	3.3 m
08.75 lx	4.2 m
05.91 lx	5.0 m



Ver. Spread: 164.6° Horiz. Spread: 160.0°

DIRECT VIEW PIXEL-B

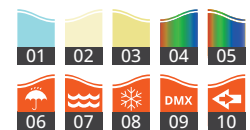
3 in 1 LED offers a fusion of well blended colours, Flexible installation is included with various cover material options, The compact dimension brings unlimited patter possibilities, The pixel board also contains flicker free illumination designed for video resolution and display.



SPECIFICATION

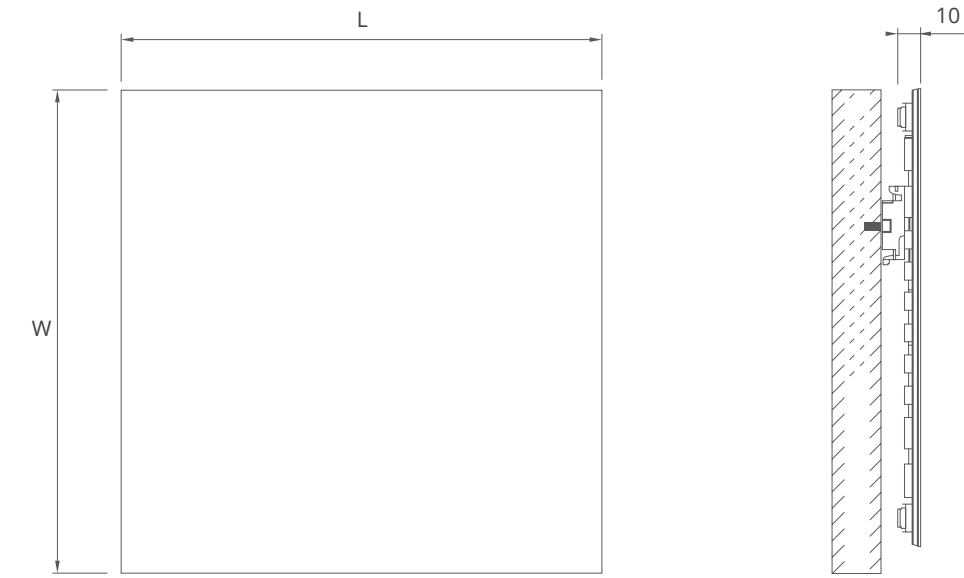
MODEL	DIRECT VIEW PIXEL-B
OPERATING VOLTAGE	24V DC
POWER CONSUMPTION	6.25W/25 Pixels, 16W/64 Pixels
LED TYPE	SMD
COLOUR TEMP OPTION	(24 bit) 2700K, 3000K, 4000K, 5000K, RGB
FULL WIDTH AT HALF MAXIMUM (OPTICS)	120°
MATERIAL	PCB
AMBIENT OPERATING TEMPERATURE	-10°C ~ +40°C
STORAGE TEMPERATURE	-20°C ~ +60°C
LIFETIME	50,000 hours/L70 at 25°C
DIMENSIONS	175 (L)*175(W)*10(H)mm@25pixels, 250 (L)*250(W)*10(H)mm@64pixels
CONTROL SYSTEM	DMX (Auto Addressing)
MOUNTING TYPE	Surface
IP RATING	IP20

FEATURES & OPTIONS



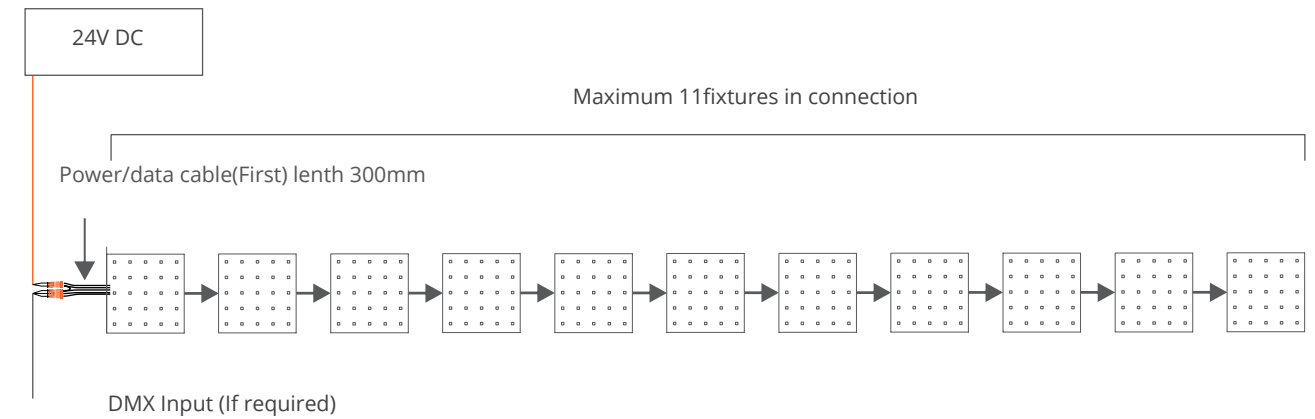
- 01. CW
- 02. NW
- 03. WW
- 04. RGB
- 05. RGBW
- 06. IP20
- 07. ANTI-SALINE
- 08. POLAR
- 09. DMX
- 10. RDM

DIMENSIONS



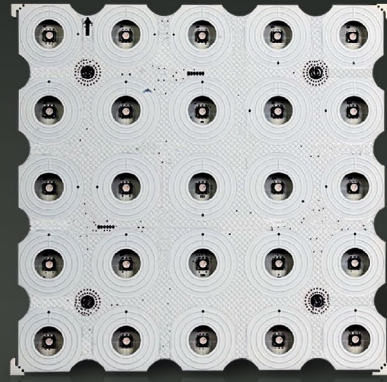
*all units are in mm

OPTIC SELECTION



INTERACTIVE PIXEL-B

3 in 1 LED offers smooth mixing colour, Flexible installation combined with various cover materials, Compact dimension brings unlimited pattern, Flicker free for video resolution, Pixel resolution with interactive function.



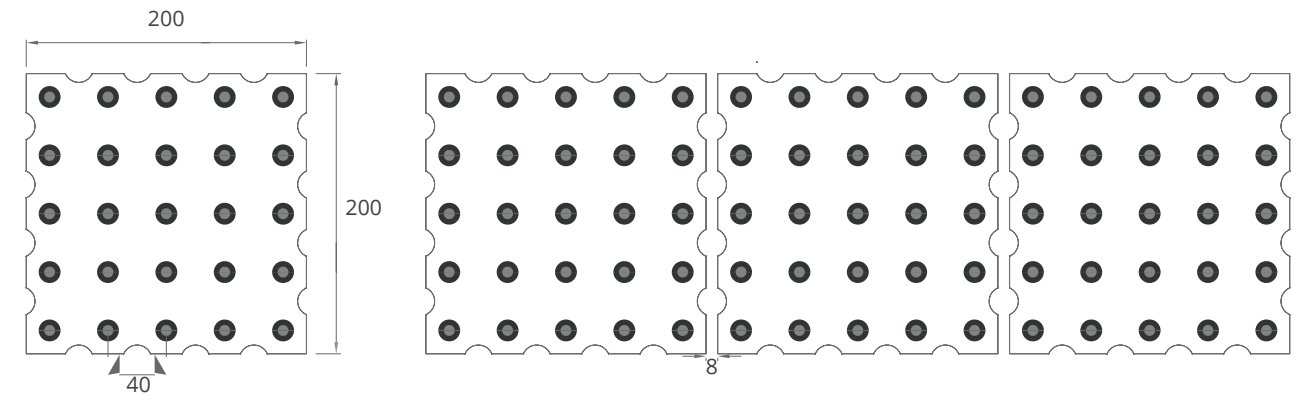
SPECIFICATION

MODEL	INTERACTIVE PIXEL-B
OPERATING VOLTAGE	24V DC
POWER CONSUMPTION	8W/unit (25PXL Max/40mm)
LED TYPE	SMD
COLOUR TEMP OPTION	RGB
PRODUCT EFFICACY	91.7lm
FULL WIDTH AT HALF MAXIMUM (OPTICS)	112°
MATERIAL	PCB
AMBIENT OPERATING TEMPERATURE	-10°C ~ +40°C
STORAGE TEMPERATURE	-20°C ~ +60°C
LIFETIME	50,000 hours/L70 at 25°C
DIMENSIONS	200 (L)*200(W)*10(H)mm
CONTROL SYSTEM	DMX512, DMX1000
MOUNTING TYPE	Surface
IP RATING	IP20

FEATURES & OPTIONS

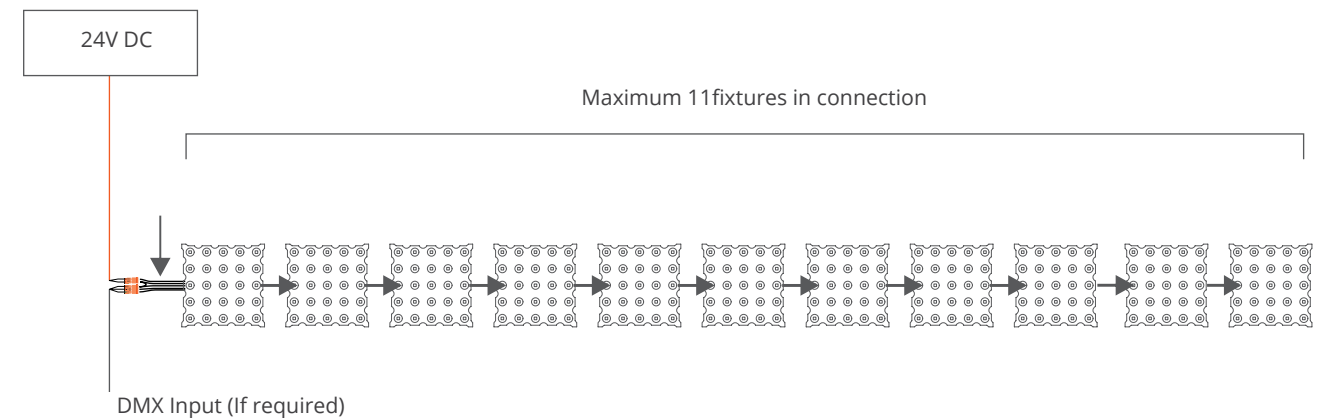
- | | | | | | |
|--|----------|--|-----------------|--|---------|
| | 01. RGB | | 03. ANTI-SALINE | | 05. DMX |
| | 02. IP20 | | 04. POLAR | | 06. RDM |

DIMENSIONS



*all units are in mm

WIRING





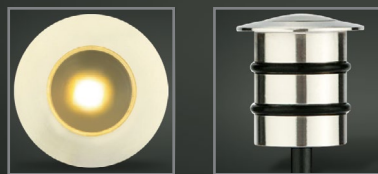
UNDER  **ave**

The UNDERWAVE series contains various outdoor spotlights and built inground / deck / lighting products from our inventory. Their state-of-the-art quality provides maximal waterproof, corrosion and compression resistance. They are simple to install and have low energy consumption. In addition, each fixture is guaranteed to operate under amazingly long service life while having low maintenance cost

MARKER 19

UNDER^{WAVE}ave

Designed to be sophisticated yet mini,
The system generates sparkling cosmo effects
for ground or wall decoration, Safe voltage: 12V DC,
The body is made from marine grade Stainless Steel 316.



SPECIFICATION

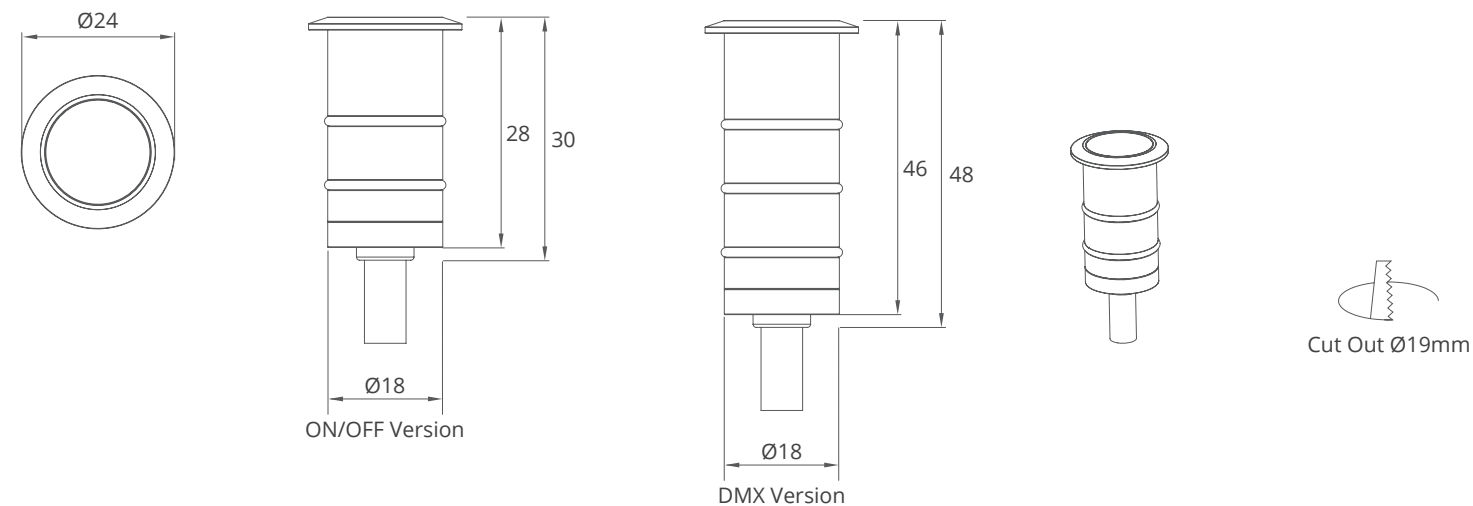
MODEL	MARKER 19
OPERATING VOLTAGE	12V DC
POWER CONSUMPTION	1WMax
LED TYPE	High Power LED
COLOUR TEMP OPTION	2700K, 3000K, 4000K, 5000K, Tunable White, RGB, RGBW
CRI	80min
PRODUCT EFFICACY	75lm/W@3000K
FULL WIDTH AT HALF MAXIMUM (OPTICS)	80°, 120°
MATERIAL	Stainless Steel 316 + Tempered Glass
AMBIENT OPERATING TEMPERATURE	-20°C ~ +55°C
STORAGE TEMPERATURE	-25°C ~ +60°C
LIFETIME	50,000 hours/L70 at 25°C
DIMENSIONS	Ø24*30 (H)mm(ON/OFF Version), Ø24*48 (H)mm(DMX Version)
CABLE LENGTH	500mm
CONTROL SYSTEM	ON/OFF, DMX/RDM, 0-10V Dim
MOUNTING TYPE	Recessed
IP RATING	IP67, IK08

FEATURES & OPTIONS



- | | | |
|--------|-----------------|-----------|
| 01. CW | 05. RGB | 09. POLAR |
| 02. NW | 06. RGBW | 10. DMX |
| 03. WW | 07. IP67 | 11. RDM |
| 04. DW | 08. ANTI-SALINE | |

DIMENSIONS



*all units are in mm

OPTIC SELECTION



80°

LED	Lumens	Watts	Efficacy
WHITE	37.50	00.50	75.00

CenterBeamLux	Illuminance at Distance
870.90 lx	0.2 m
217.70 lx	0.3 m
97.76 lx	0.5 m
54.42 lx	0.7 m
34.84 lx	0.8 m
24.19 lx	1.0 m

■ Ver. Spread: 82.4° ■ Horiz. Spread: 82.2°



120°

LED	Lumens	Watts	Efficacy
WHITE	70.00	1.00	70.00

CenterBeamLux	Illuminance at Distance
170.85 lx	0.2 m
60.27 lx	0.3 m
21.24 lx	0.5 m
11.59 lx	0.7 m
09.19 lx	0.8 m
06.25 lx	1.0 m

■ Ver. Spread: 112.7° ■ Horiz. Spread: 114.0°

3000K

SPOT 30 R

UNDER^{WAVE}ave

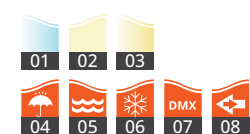
Equipped with state of art and ultra-compact design, The system includes various mounting methods including free standing, dry wall, in ground style, High efficacy and high CRI, Excellent glare control and optic performance.



SPECIFICATION

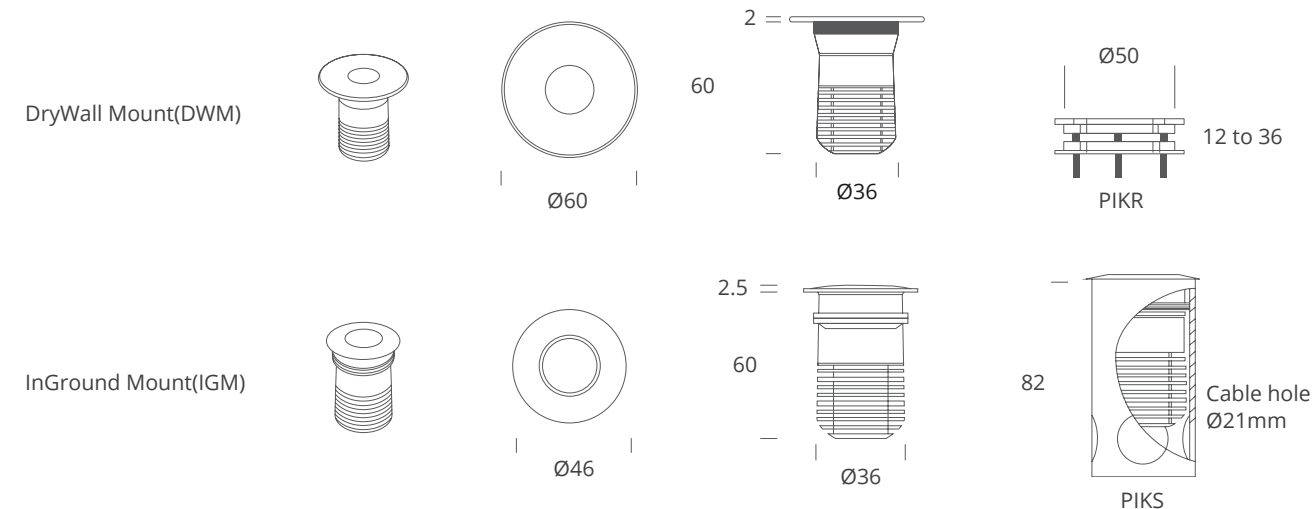
MODEL	SPOT 30
OPERATING VOLTAGE	700 mA
POWER CONSUMPTION	2.86W MAX
LED TYPE	High Power LED
COLOUR RANGE	2700K, 3000K, 3500K, 4000K, 5000K
CRI	90min
PRODUCT EFFICACY	85lm/W@3000K
FULL WIDTH AT HALF MAXIMUM (OPTICS)	11°, 15°, 28°, 44°, 52°*12°
MATERIAL	Aluminum + Tempered Glass
AMBIENT OPERATING TEMPERATURE	-20°C ~ +55°C
STORAGE TEMPERATURE	-25°C ~ +60°C
LIFETIME	50,000 hours/L70 at 25°C
DIMENSIONS	φ60*60 (H)mm, φ46*60 (H)mm
CABLE LENGTH	500mm
CONTROL SYSTEM	ON/OFF, DMX, 0-10V Dim
MOUNTING TYPE	Recessed
IP RATING	IP67

FEATURES & OPTIONS



- | | | |
|--------|-----------------|---------|
| 01. CW | 04. IP67 | 07. DMX |
| 02. NW | 05. ANTI-SALINE | 08. RDM |
| 03. WW | 06. POLAR | |

DIMENSIONS



*all units are in mm

OPTIC SELECTION



11°

LED	Lumens	Watts	Efficacy
WHITE	212.53	2.93	72.53

CenterBeamLux	Illuminance at Distance
5656.60 lx	0.8 m
1414.15 lx	1.7 m
628.51 lx	2.5 m
353.54 lx	3.3 m
226.26 lx	4.2 m
157.13 lx	5.0 m

■ Ver. Spread: 11.6° ■ Horiz. Spread: 11.5°



15°

LED	Lumens	Watts	Efficacy
WHITE	252.97	2.99	84.60

CenterBeamLux	Illuminance at Distance
3485.29 lx	0.8 m
871.32 lx	1.7 m
387.25 lx	2.5 m
217.83 lx	3.3 m
139.41 lx	4.2 m
96.81 lx	5.0 m

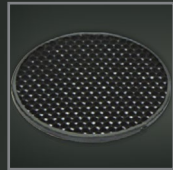
■ Ver. Spread: 14.4° ■ Horiz. Spread: 14.5°

3000K

IN 40

The main frame is composed of marine grade Stainless Steel 316, Sophisticated and tiny design, Narrow beam optic offers efficient spot effect.

UNDERwave



SPECIFICATION

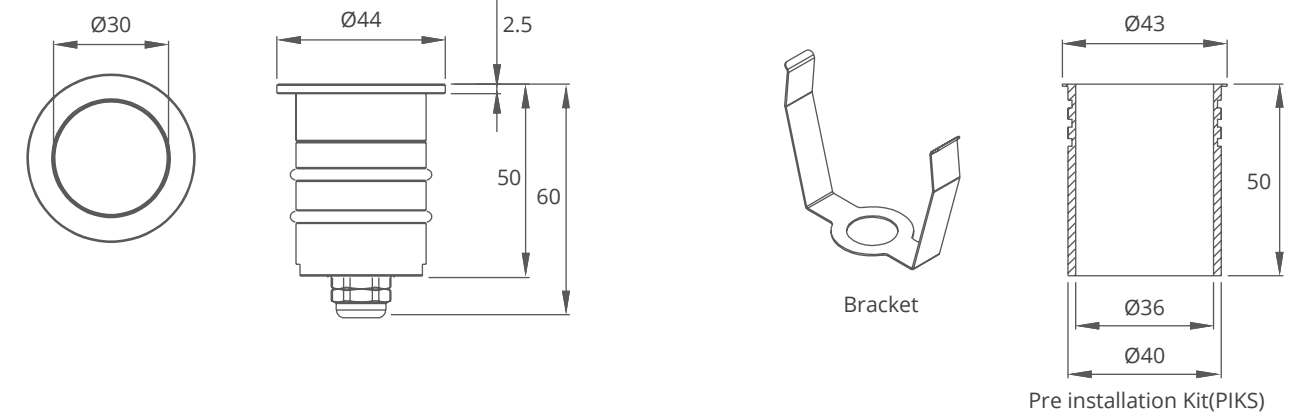
MODEL	IN 40
OPERATING VOLTAGE	12V DC, 24V DC
POWER CONSUMPTION	3W MAX
LED TYPE	High Power LED
COLOUR TEMP OPTION	2700K, 3000K, 4000K, 5000K, Mono Colour, RGB
CRI	80min
PRODUCT EFFICACY	72lm/W@3000K
FULL WIDTH AT HALF MAXIMUM (OPTICS)	9°, 15°, 20°, 25°, 40°, 60°, 120°
MATERIAL	Stainless Steel 316 + Tempered Glass
AMBIENT OPERATING TEMPERATURE	-20°C ~ +55°C
STORAGE TEMPERATURE	-25°C ~ +60°C
LIFETIME	50,000 hours/L70 at 25°C
DIMENSIONS	Φ44*60(H)mm
CABLE LENGTH	500mm
CONTROL SYSTEM	ON/OFF, DMX, 0-10V Dim
MOUNTING TYPE	Recessed
IP RATING	IP67, IK08

FEATURES & OPTIONS



- | | | |
|--------|-----------------|-----------|
| 01. CW | 04. RGB | 07. POLAR |
| 02. NW | 05. IP67 | 08. DMX |
| 03. WW | 06. ANTI-SALINE | 09. RDM |

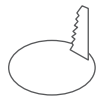
DIMENSIONS



Honey Comb(HC)



Cut Out 40mm



*all units are in mm

OPTIC SELECTION



25°

LED	Lumens	Watts	Efficacy
WHITE	130.76	2.00	65.38

CenterBeamLux	Illuminance at Distance
823.95 lx	0.5 m
205.83 lx	1.7 m
91.52 lx	2.5 m
51.45 lx	3.3 m
32.95 lx	4.2 m
22.88 lx	5.0 m

Ver. Spread: 22.3° Horiz. Spread: 23.1°

3000K



40°

LED	Lumens	Watts	Efficacy
WHITE	144.00	2.00	72.00

CenterBeamLux	Illuminance at Distance
556.00 lx	0.5 m
138.90 lx	1.7 m
61.72 lx	2.5 m
34.72 lx	3.3 m
22.23 lx	4.2 m
15.45 lx	5.0 m

Ver. Spread: 39.2° Horiz. Spread: 38.4°

3000K

IN 100

Aluminum housed, IP67, inground uplight ideal for outdoor and indoor applications, Finished with tempered glass with black internal edge coating for glare control, Wide range of optics for each installation application.



SPECIFICATION

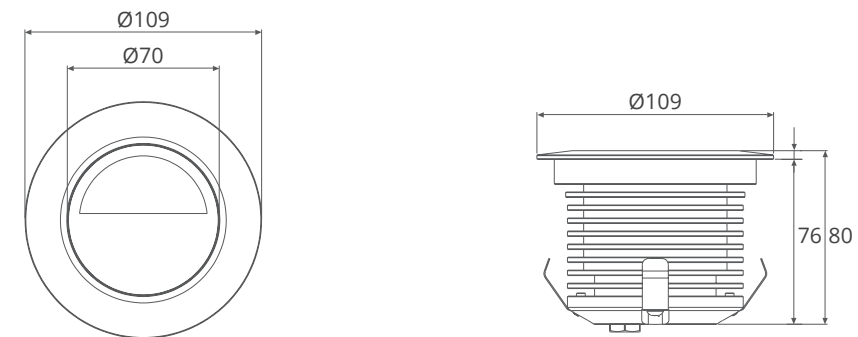
MODEL	IN 100
OPERATING VOLTAGE	24V DC
POWER CONSUMPTION	12WMAX
LED TYPE	COB
COLOUR TEMP OPTION	2700K, 3000K, 4000K, 5000K, Tunable White, RGB, RGBW
CRI	90min
PRODUCT EFFICACY	75lm/W@3000K
FULL WIDTH AT HALF MAXIMUM (OPTICS)	12°, 24°, 36°, 55°
MATERIAL	Aluminium + Tempered Glass
AMBIENT OPERATING TEMPERATURE	-20°C ~ +55°C
STORAGE TEMPERATURE	-25°C ~ +60°C
LIFETIME	50,000 hours/L70 at 25°C
DIMENSIONS	Φ109*80(H)mm
CABLE LENGTH	1000mm
CONTROL SYSTEM	ON/OFF, DMX, 0-10V Dim. DALI
MOUNTING TYPE	Recessed
IP RATING	IP67, IK10

FEATURES & OPTIONS



- | | | |
|--------|-----------------|-----------|
| 01. CW | 05. RGB | 09. POLAR |
| 02. NW | 06. IP67 | 10. DMX |
| 03. WW | 07. IK10 | 11. RDM |
| 04. DW | 08. ANTI-SALINE | 12. DALI |

DIMENSIONS



*all units are in mm

OPTIC SELECTION



12°

LED	Lumens	Watts	Efficacy
WHITE	912.00	12.00	76.00

CenterBeamLux	Illuminance at Distance
19606.69 lx	0.5 m
4901.67 lx	1.7 m
2178.52 lx	2.5 m
1225.42 lx	3.3 m
784.27 lx	4.2 m
544.63 lx	5.0 m

Ver. Spread: 12.4° Horiz. Spread: 12.7°



36°

LED	Lumens	Watts	Efficacy
WHITE	939.36	12.00	78.28

CenterBeamLux	Illuminance at Distance
4148.68 lx	0.5 m
1011.17 lx	1.7 m
483.19 lx	2.5 m
271.79 lx	3.3 m
173.95 lx	4.2 m
120.80 lx	5.0 m

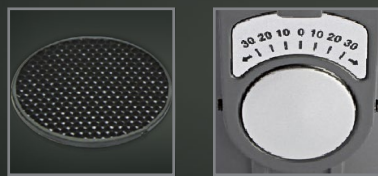
Ver. Spread: 36.5° Horiz. Spread: 35.4°

3000K

IN 173

Sophisticated design makes for easy beam angle adjustments, Excellent glare control via louver, The compact structure provides easy installation and maintenance.

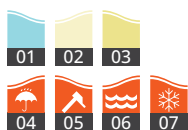
UNDER^{WAVE}ave



SPECIFICATION

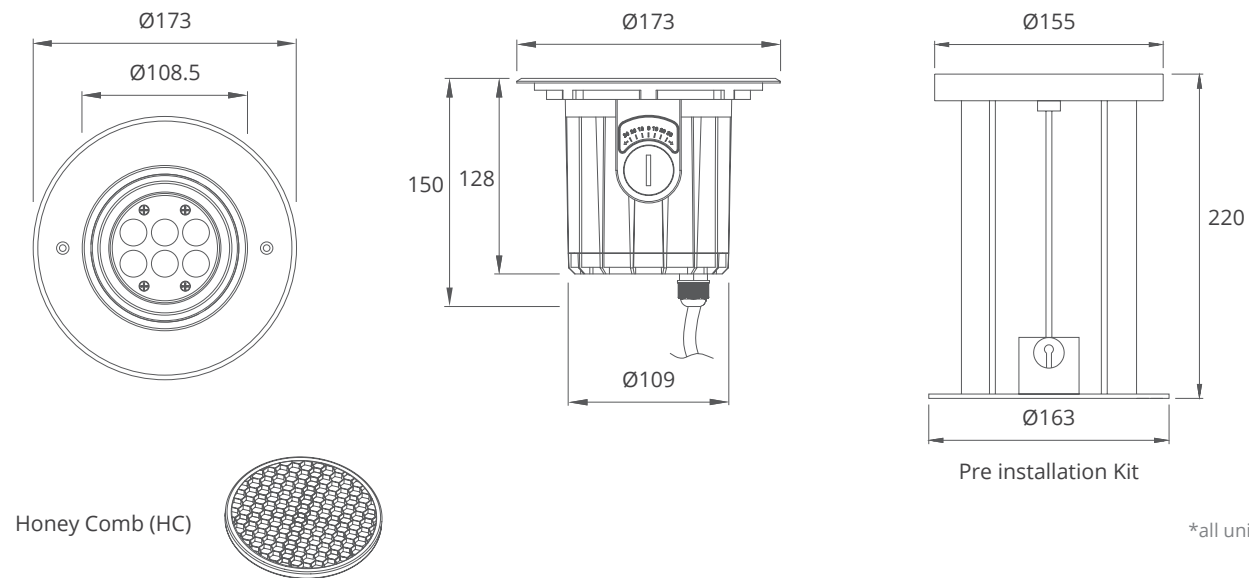
MODEL	IN 173
OPERATING VOLTAGE	24V DC
POWER CONSUMPTION	9W
LED TYPE	High Power LED
COLOUR TEMP OPTION	2700K, 3000K, 4000K, 5000K
CRI	80min
PRODUCT EFFICACY	81lm/W@3000K
FULL WIDTH AT HALF MAXIMUM (OPTICS)	15°, 20°, 30°, 45°
MATERIAL	Aluminum + Stainless Steel 316L + Tempered Glass
AMBIENT OPERATING TEMPERATURE	-20°C ~ +55°C
STORAGE TEMPERATURE	-25°C ~ +60°C
LIFETIME	50,000 hours/L70 at 25°C
DIMENSIONS	Ø173*150 (H)mm
CABLE LENGTH	300mm
CONTROL SYSTEM	ON/OFF, 0-10V Dim
MOUNTING TYPE	Recessed
IP RATING	IP67, IK10

FEATURES & OPTIONS



- 01. CW
- 02. NW
- 03. WW
- 04. IP67
- 05. IK10
- 06. ANTI-SALINE
- 07. POLAR

DIMENSIONS



*all units are in mm

OPTIC SELECTION



20°

LED	Lumens	Watts	Efficacy
WHITE	756.86	9.30	81.38

CenterBeamLux	Illuminance at Distance
4771.44 lx	0.5 m
1192.86 lx	1.7 m
530.16 lx	2.5 m
298.21 lx	3.3 m
190.86 lx	4.2 m
132.54 lx	5.0 m

Ver. Spread: 22.3° Horiz. Spread: 23.1°



30°

LED	Lumens	Watts	Efficacy
WHITE	634.50	9.00	70.50

CenterBeamLux	Illuminance at Distance
2450.07 lx	0.5 m
612.52 lx	1.7 m
272.23 lx	2.5 m
153.13 lx	3.3 m
98.00 lx	4.2 m
68.06 lx	5.0 m

Ver. Spread: 31.2° Horiz. Spread: 31.4°

3000K

IN 250

UNDER^{WAVE}ave

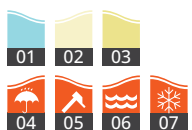
Easy to adjust structure, Body by Die-Casting, Aluminum + Stainless Steel 316 (front cover), Good glare control by louver.



SPECIFICATION

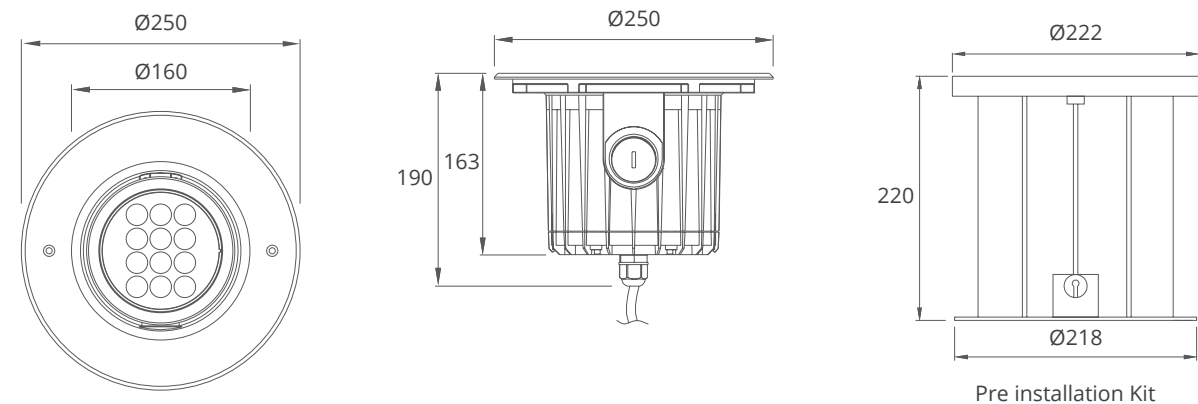
MODEL	IN 250
OPERATING VOLTAGE	24V DC
POWER CONSUMPTION	18W
LED TYPE	High Power LED
COLOUR TEMP OPTION	2700K, 3000K, 4000K, 5000K
CRI	80min
PRODUCT EFFICACY	75lm/W@3000K
FULL WIDTH AT HALF MAXIMUM (OPTICS)	15°, 25°, 30°
MATERIAL	Aluminum + Stainless Steel 316L + Tempered Glass
AMBIENT OPERATING TEMPERATURE	-20°C ~ +55°C
STORAGE TEMPERATURE	-25°C ~ +60°C
LIFETIME	50,000 hours/L70 at 25°C
DIMENSIONS	Ø250*190 (H)mm
CABLE LENGTH	300mm
CONTROL SYSTEM	ON/OFF, 0-10V Dim
MOUNTING TYPE	Recessed
IP RATING	IP67, IK10

FEATURES & OPTIONS

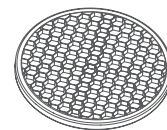


- 01. CW
- 02. NW
- 03. WW
- 04. IP67
- 05. IK10
- 06. ANTI-SALINE
- 07. POLAR

DIMENSIONS



Honey Comb (HC)



*all units are in mm

OPTIC SELECTION



15°

LED	Lumens	Watts	Efficacy
WHITE	1308.18	18.50	70.74

CenterBeamLux	Illuminance at Distance
19606.69 lx	0.5 m
4901.67 lx	1.7 m
2178.52 lx	2.5 m
1225.42 lx	3.3 m
784.27 lx	4.2 m
544.63 lx	5.0 m

■ Ver. Spread: 14.4° ■ Horiz. Spread: 14.7°



30°

LED	Lumens	Watts	Efficacy
WHITE	1193.07	18.00	66.28

CenterBeamLux	Illuminance at Distance
4348.68 lx	0.5 m
1087.17 lx	1.7 m
483.19 lx	2.5 m
271.79 lx	3.3 m
173.95 lx	4.2 m
120.80 lx	5.0 m

■ Ver. Spread: 31.5° ■ Horiz. Spread: 31.9°

3000K

IN SLIM G2

UNDERwave

Uniform light output via 3 steps bin selection upon request, The high quality diffuser eliminates any visible LED hot spots, strait icon and ensures superb illumination, The system provides step-on tempered glass for inground installations, A seamless continuous connection for lighting.



SPECIFICATION

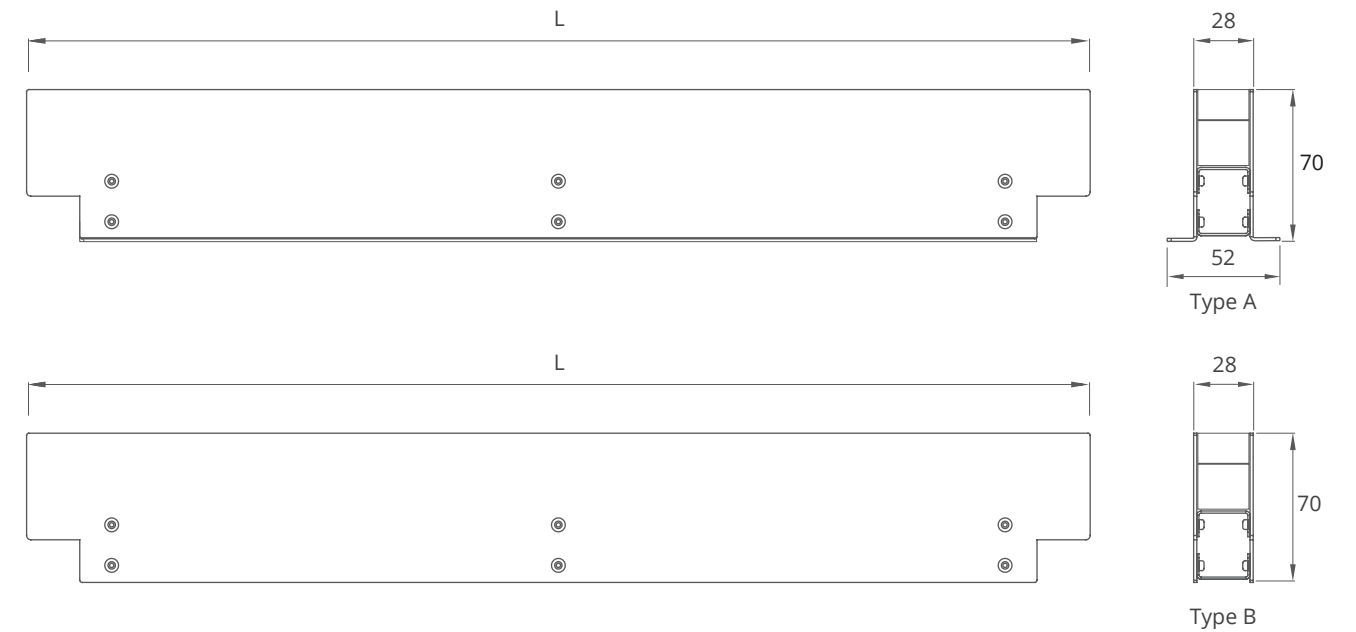
MODEL	IN SLIM G2
OPERATING VOLTAGE	12V DC, 24V DC
POWER CONSUMPTION	5W/ meter, 9.6W/ meter, 14.4W/ meter
LED TYPE	SMD
COLOUR TEMP OPTION	2400K 2700K, 3000K, 4000K, 5000K, Tunable White, RGB, RGBW
CRI	90min, 80min
PRODUCT EFFICACY	82lm/W@3000K
FULL WIDTH AT HALF MAXIMUM (OPTICS)	120°
MATERIAL	Stainless Steel + Tempered Glass
AMBIENT OPERATING TEMPERATURE	-20°C ~ +55°C
STORAGE TEMPERATURE	-25°C ~ +60°C
LIFETIME	50,000 hours/L70 at 25°C
DIMENSIONS	1000(L)*28(W)*70(H)mm, 300/600/900/1200mm available
CABLE LENGTH	300mm
CONTROL SYSTEM	ON/OFF, DMX/RDM, 0-10V Dim
MOUNTING TYPE	Recessed
IP RATING	IP67, IK10

FEATURES & OPTIONS



- | | | |
|--------|----------|-----------------|
| 01. CW | 05. RGB | 09. ANTI-SALINE |
| 02. NW | 06. RGBW | 10. POLAR |
| 03. WW | 07. IP67 | 11. DMX |
| 04. DW | 08. IK10 | 12. RDM |

DIMENSIONS



*all units are in mm

OPTIC SELECTION



120°

LED	Lumens	Watts	Efficacy
WHITE	788.92	9.60	82.18

CenterBeamLux	Illuminance at Distance
2721.50 lx	0.3 m
679.97 lx	0.7 m
302.38 lx	1.0 m
170.09 lx	1.3 m
108.79 lx	1.7 m
75.59 lx	2.0 m

Ver. Spread: 112.7° Horiz. Spread: 114.0°

3000K



120°

LED	Lumens	Watts	Efficacy
RGBW	651.90	9.60	67.90

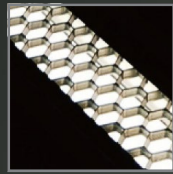
CenterBeamLux	Illuminance at Distance
2007.18 lx	0.3 m
501.80 lx	0.7 m
223.02 lx	1.0 m
125.45 lx	1.3 m
80.29 lx	1.7 m
55.76 lx	2.0 m

Ver. Spread: 112.7° Horiz. Spread: 114.0°



INGRAZE 34

Sophisticated designed anti-glare structure provides linear inground wall grazing perfectly, IP patented fixture offers consistent light without hazardous glare, Robust walk over design for inground installation.



SPECIFICATION

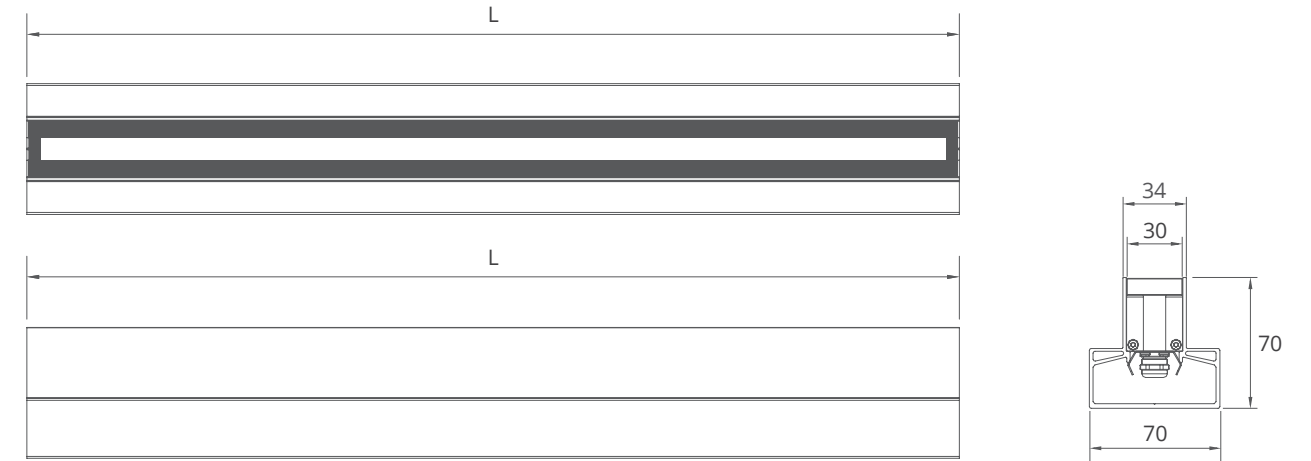
MODEL	INGRAZE 34
OPERATING VOLTAGE	24V DC
POWER CONSUMPTION	30W/1000mm
LED TYPE	SMD
COLOUR TEMP OPTION	2700K, 3000K, 4000K, 5000K, Tunable White, RGB, RGBW
CRI	90min, 80min
PRODUCT EFFICACY	56lm/W@3000K
FULL WIDTH AT HALF MAXIMUM (OPTICS)	20°*90°, 40°*90°, 60°*90°
MATERIAL	Aluminum + Tempered Glass
AMBIENT OPERATING TEMPERATURE	-20°C ~ +55°C
STORAGE TEMPERATURE	-25°C ~ +60°C
LIFETIME	50,000 hours/L70 at 25°C
DIMENSIONS	1000(L)*34(W)*70(H)mm, 300/500/900/1200mm ETO available
CABLE LENGTH	300mm
CONTROL SYSTEM	ON/OFF, DMX/RDM, 0-10V Dim
MOUNTING TYPE	Recessed
IP RATING	IP67, IK10

FEATURES & OPTIONS

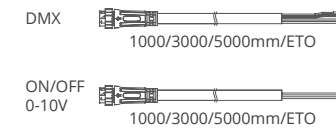


- 01. CW
- 02. NW
- 03. WW
- 04. DW
- 05. RGB
- 06. RGBW
- 07. IP67
- 08. IK10
- 09. ANTI-SALINE
- 10. POLAR
- 11. DMX
- 12. RDM

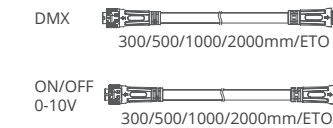
DIMENSIONS



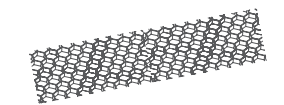
Leader Cable



Jumper Cable



Honey Comb(HC)



*all units are in mm

OPTIC SELECTION



LED	Lumens	Watts	Efficacy
WHITE	1590.00	30.00	53.00

CenterBeamLux	Illuminance at Distance
3103.28 lx	0.8 m
774.38 lx	1.7 m
448.20 lx	2.5 m
340.88 lx	3.3 m
400.08 lx	4.2 m
87.86 lx	5.0 m

Ver. Spread: 20.0° Horiz. Spread: 90.5°

2700K



LED	Lumens	Watts	Efficacy
WHITE	1689.00	30.00	56.30

CenterBeamLux	Illuminance at Distance
3923.03 lx	0.8 m
735.16 lx	1.7 m
434.34 lx	2.5 m
244.80 lx	3.3 m
156.46 lx	4.2 m
107.95 lx	5.0 m

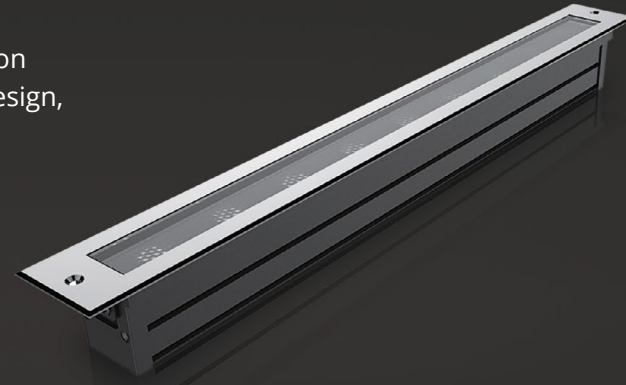
Ver. Spread: 20.0° Horiz. Spread: 90.5°

3000K

INSTA INGRAZE 53

UNDER ave

Ultra Slim body for grazing at limited space,
Uniformity light output by 2 steps or 3 steps bin selection
upon request, Smooth mixing colour by special optic design,
Customized length and colour are available.



SPECIFICATION

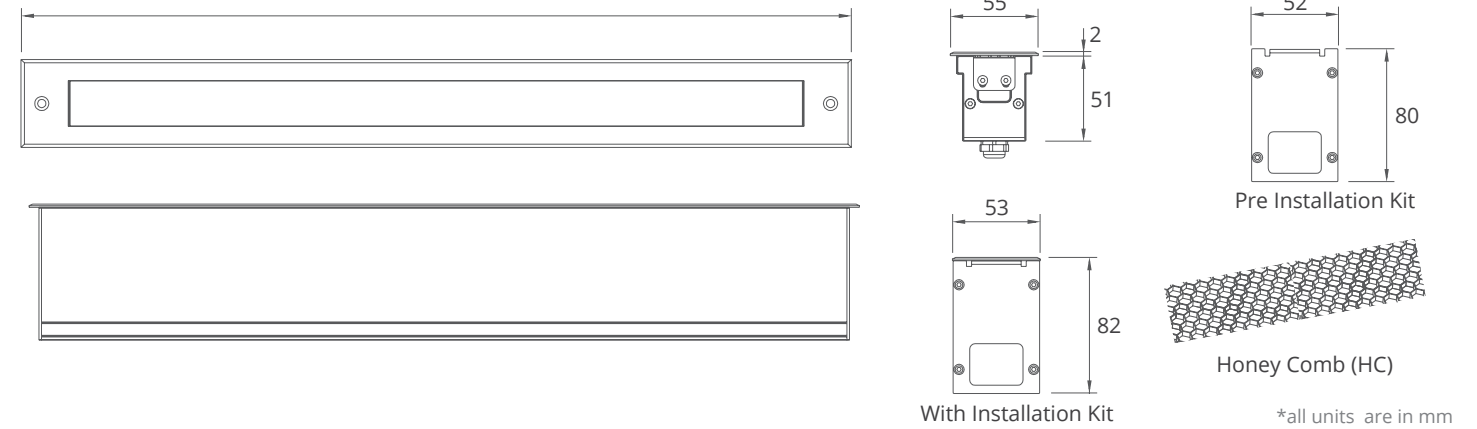
MODEL	INSTA INGRAZE 53
OPERATING VOLTAGE	24V DC
POWER CONSUMPTION	48W/1045mm
LED TYPE	High Power LED
COLOUR TEMP OPTION	2700K, 3000K, 3500K, 4000K, 5000K, Tunable White, RGB,RGBW
CRI	90min, 80min
PRODUCT EFFICACY	77lm/W@3000K
FULL WIDTH AT HALF MAXIMUM (OPTICS)	10°, 8°*15°, 8°*30°, 10°*50°, 20°*40°, 25°, 45°, 60°
MATERIAL	Aluminum + Stainless Steel 316L + Tempered Glass
AMBIENT OPERATING TEMPERATURE	-20°C ~ +55°C
STORAGE TEMPERATURE	-25°C ~ +60°C
LIFETIME	50,000 hours/L70 at 25°C
DIMENSIONS	1045(L)*55(W)*80(H)mm 345/545/mm ETO available
CABLE LENGTH	300mm
CONTROL SYSTEM	ON/OFF, DMX, 0-10V Dim
MOUNTING TYPE	Recessed
IP RATING	IP67, IK10

FEATURES & OPTIONS



- 01. RGBW
- 02. DIMMABLE
- 03. DYNAMIC CONTROL
- 04. IP67
- 05. EASY INSTALLATION

DIMENSIONS



OPTIC SELECTION



10°

LED	Lumens	Watts	Efficacy
WHITE	1472.47	24.00	61.35

CenterBeamLux	Illuminance at Distance
8421.36 lx	02.5 m
2105.11 lx	05.0 m
932.74 lx	07.5m
526.33 lx	10.0 m
336.99 lx	12.5 m
223.16 lx	15.0 m

Ver. Spread: 11.8° Horiz. Spread: 10.6°



25°

LED	Lumens	Watts	Efficacy
WHITE	2731.54	35.80	76.30

CenterBeamLux	Illuminance at Distance
1460.35 lx	02.5 m
365.09 lx	05.0 m
162.26 lx	07.5m
91.27 lx	10.0 m
58.41 lx	12.5 m
40.57 lx	15.0 m

Ver. Spread: 22.2° Horiz. Spread: 22.3°



25°

LED	Lumens	Watts	Efficacy
WHITE	3779.84	48.20	78.42

CenterBeamLux	Illuminance at Distance
2044.15 lx	02.5 m
512.11 lx	05.0 m
277.16 lx	07.5m
127.47 lx	10.0 m
81.77 lx	12.5 m
63.98 lx	15.0 m

Ver. Spread: 25.2° Horiz. Spread: 24.3°

3000K

INGRAZE 60

UNDERwave

Sophisticated designed and-glare structure provides linear Inground wall grazing perfectly, IP patented fixture offers consistent light without hazardous glare, Robust walk over design for inground Installation



SPECIFICATION

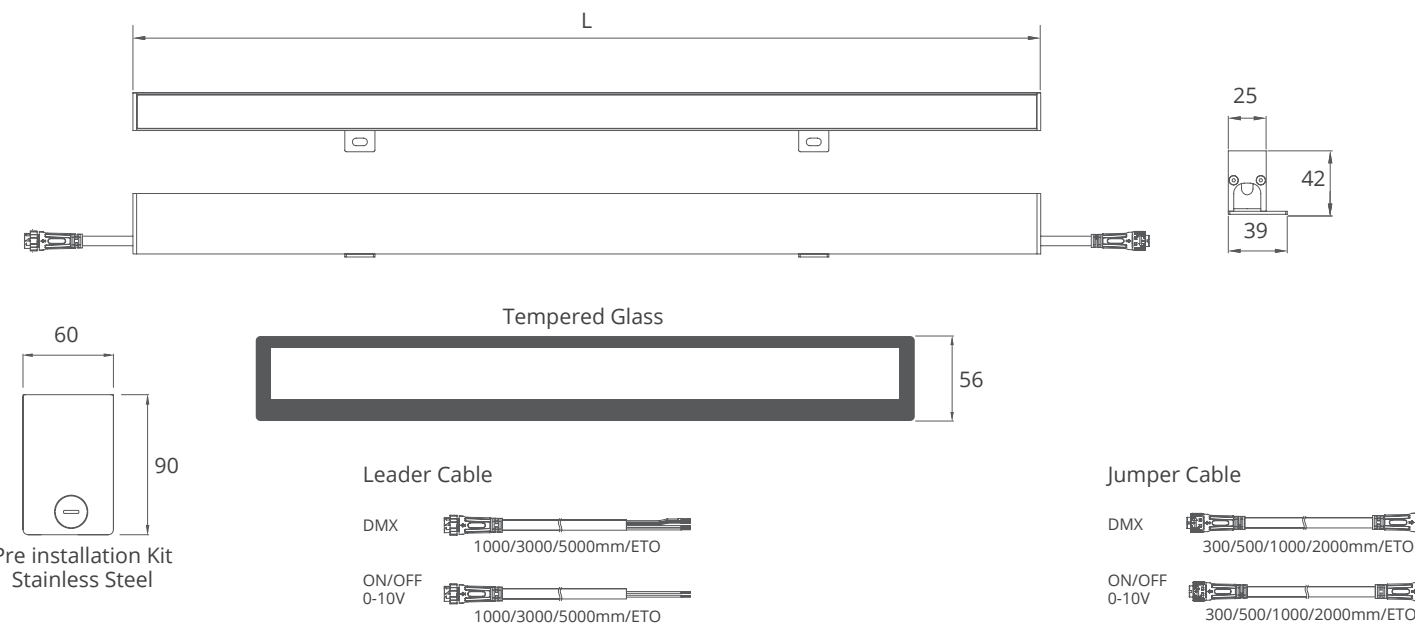
MODEL	INGRAZE 60
OPERATING VOLTAGE	24V DC
POWER CONSUMPTION	25W/1000mm
LED TYPE	SMD High Power LED
COLOUR TEMP OPTION	2700K, 3000K, 4000K, 5000K, Tunable White, RGB, RGBW
CRI	90min, 80min
PRODUCT EFFICACY	66lm/W@3000K
FULL WIDTH AT HALF MAXIMUM (OPTICS)	12°, 25°, 35°, 45°, 10°*40°, 20°*40°
MATERIAL	Aluminum + Tempered Glass + Stainless Steel
AMBIENT OPERATING TEMPERATURE	-20°C ~ +55°C
STORAGE TEMPERATURE	-25°C ~ +60°C
LIFETIME	50,000 hours/L70 at 25°C
DIMENSIONS	1000(L)*60 (W)*90(H)mm, 300/600/900/1200mm ETO available
CABLE LENGTH	300mm
CONTROL SYSTEM	ON/OFF, DMX/RDM, 0-10V Dim
MOUNTING TYPE	Surface/Recessed
IP RATING	IP67, IK10

FEATURES & OPTIONS



- | | | |
|--------|----------|-----------------|
| 01. CW | 05. RGB | 09. ANTI-SALINE |
| 02. NW | 06. RGBW | 10. POLAR |
| 03. WW | 07. IP67 | 11. DMX |
| 04. DW | 08. IK10 | 12. RDM |

DIMENSIONS



*all units are in mm

OPTIC SELECTION



LED	Lumens	Watts	Efficacy
WHITE	1465.50	25.00	58.62

CenterBeamLux	Illuminance at Distance
855.70 lx	01.7 m
212.13 lx	03.3 m
94.66 lx	05.0 m
57.28 lx	06.7 m
33.74 lx	08.3 m
23.88 lx	10.0 m

■ Ver. Spread: 22.7° ■ Horiz. Spread: 40.7°



LED	Lumens	Watts	Efficacy
WHITE	1650.00	25.00	66.00

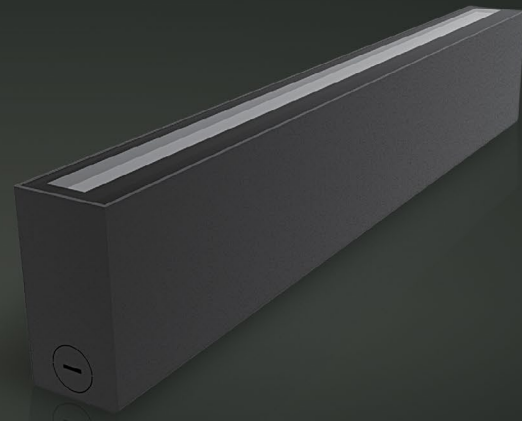
CenterBeamLux	Illuminance at Distance
814.17 lx	01.7 m
202.49 lx	03.3 m
88.33 lx	05.0 m
52.47 lx	06.7 m
32.31 lx	08.3 m
22.32 lx	10.0 m

■ Ver. Spread: 43.9° ■ Horiz. Spread: 43.7°

3000K

INGRAZE 80

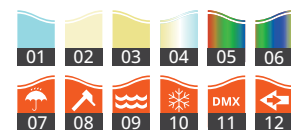
Sophisticated designed anti-glare structure provides linear Inground wall grazing perfectly, IP patented fixture offers consistent light without hazardous glare, Robust walk over design for inground Installation



SPECIFICATION

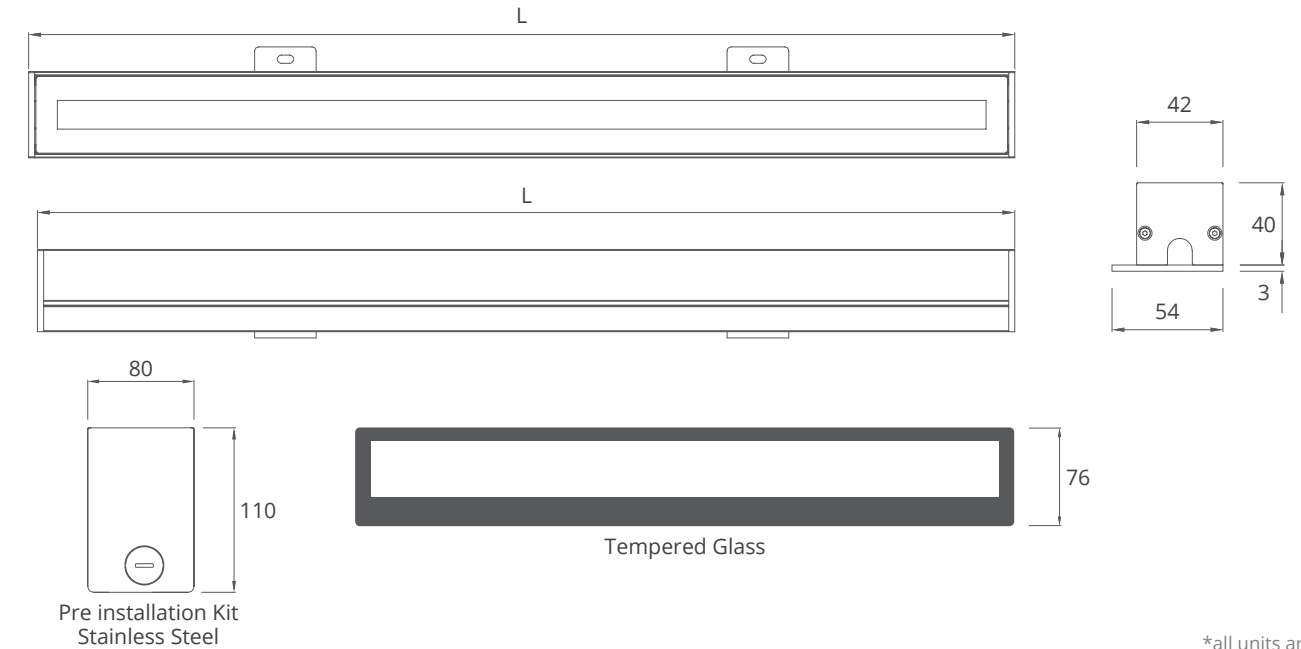
MODEL	INGRAZE 80
OPERATING VOLTAGE	24V DC
POWER CONSUMPTION	32W/1000mm
LED TYPE	SMD
COLOUR TEMP OPTION	2700K, 3000K, 4000K, 5000K, Tunable White, RGB, RGBW
CRI	90min, 80min
PRODUCT EFFICACY	55lm/W@3000K
FULL WIDTH AT HALF MAXIMUM (OPTICS)	20°*90°, 40°*90°, 60°
MATERIAL	Aluminum + Tempered Glass + Stainless Steel
AMBIENT OPERATING TEMPERATURE	-20°C ~ +55°C
STORAGE TEMPERATURE	-25°C ~ +60°C
LIFETIME	50,000 hours/L70 at 25°C
DIMENSIONS	1000(L)*80 (W)*110(H)mm, 300/600/900/1200mm ETO available
CABLE LENGTH	300mm
CONTROL SYSTEM	ON/OFF, DMX/RDM, 0-10V Dim
MOUNTING TYPE	Surface/Recessed
IP RATING	IP67, IK10

FEATURES & OPTIONS



- | | | |
|--------|----------|-----------------|
| 01. CW | 05. RGB | 09. ANTI-SALINE |
| 02. NW | 06. RGBW | 10. POLAR |
| 03. WW | 07. IP67 | 11. DMX |
| 04. DW | 08. IK10 | 12. RDM |

DIMENSIONS



OPTIC SELECTION

20°x90°

LED	Lumens	Watts	Efficacy
WHITE	1632.00	32.00	51.00

CenterBeamLux	Illuminance at Distance
3387.97 lx	0.8 m
845.88 lx	1.7 m
373.50 lx	2.5 m
218.97 lx	3.3 m
143.74 lx	4.2 m
95.87 lx	5.0 m

■ Ver. Spread: 20.0° ■ Horiz. Spread: 90.5°

2700K

20°x90°

LED	Lumens	Watts	Efficacy
WHITE	1760.00	32.00	55.00

CenterBeamLux	Illuminance at Distance
4119.46 lx	0.8 m
1029.97 lx	1.7 m
456.54 lx	2.5 m
257.46 lx	3.3 m
164.26 lx	4.2 m
114.13 lx	5.0 m

■ Ver. Spread: 20.0° ■ Horiz. Spread: 90.5°

3000K

INPRESS FROSTED SQ

Flexible installation is included with various cover material options, The compact dimension brings unlimited pattern possibilities.



SPECIFICATION

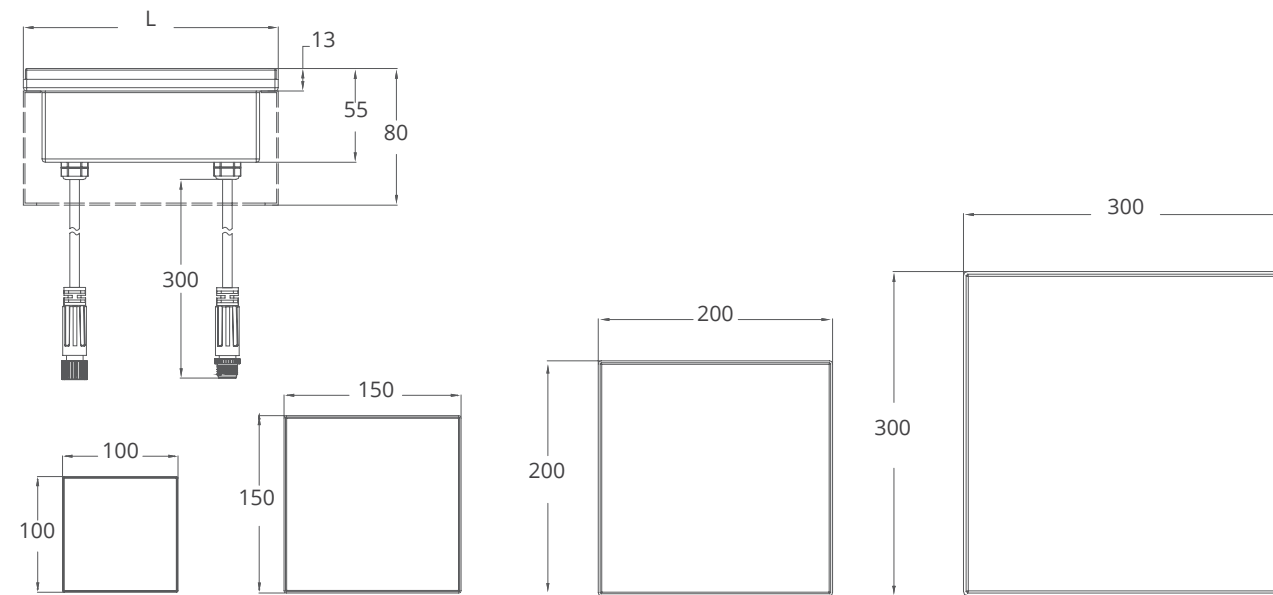
MODEL	INPRESS FROSTED SQ
OPERATING VOLTAGE	12V DC, 24V DC
POWER CONSUMPTION	3W/ 100*100mm, 4W/150*150mm, 5W/200*200mm, 10W/300*300mm
LED TYPE	SMD
COLOUR TEMP OPTION	2700K, 3000K, 4000K, 5000K Tunable White, RGB, RGBW
CRI	80min
PRODUCT EFFICACY	45lm/W@3000K
FULL WIDTH AT HALF MAXIMUM (OPTICS)	120°
MATERIAL	Stainless Steel + Tempered Glass
AMBIENT OPERATING TEMPERATURE	-20°C ~ +55°C
STORAGE TEMPERATURE	-25°C ~ +60°C
LIFETIME	50,000 hours/L70 at 25°C
DIMENSIONS	200(L)*200(W)*55(H)mm, 100mm*100mm/150mm*150mm/300mm*300mm/ETO available
CABLE LENGTH	300mm
CONTROL SYSTEM	ON/OFF, ON/OFF By Gravity, DMX/RDM, 0-10V Dim
MOUNTING TYPE	Recessed
IP RATING	IP67, IK10

FEATURES & OPTIONS



- | | | |
|--------|----------|-----------------|
| 01. CW | 05. RGB | 09. ANTI-SALINE |
| 02. NW | 06. RGBW | 10. POLAR |
| 03. WW | 07. IP67 | 11. DMX |
| 04. DW | 08. IK10 | 12. RDM |

DIMENSIONS



*all units are in mm

OPTIC SELECTION



120°

LED	Lumens	Watts	Efficacy
WHITE	169.90	4.70	36.15

CenterBeamLux	Illuminance at Distance
445.23 lx	0.3 m
104.36 lx	0.7 m
49.23 lx	1.0 m
24.56 lx	1.3 m
17.64 lx	1.7 m
12.83 lx	2.0 m

Ver. Spread: 121.3° Horiz. Spread: 121.2°

2700K



120°

LED	Lumens	Watts	Efficacy
WHITE	207.80	4.60	45.23

CenterBeamLux	Illuminance at Distance
545.23 lx	0.3 m
181.27 lx	0.7 m
62.48 lx	1.0 m
30.47 lx	1.3 m
22.24 lx	1.7 m
16.43 lx	2.0 m

Ver. Spread: 123.9° Horiz. Spread: 122.2°

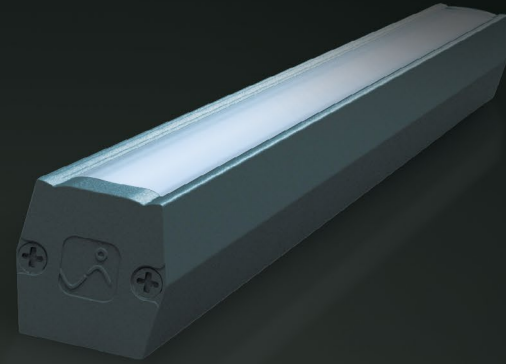
3000K

ASCENT  ave



CONTINUES-25 SURFACE

IP20, Creating vertical lines of light of considerable depth, projecting the light beam with punctual and incisive light. The Continues-25 Series collection, the latest addition to the Profile family.



SPECIFICATION

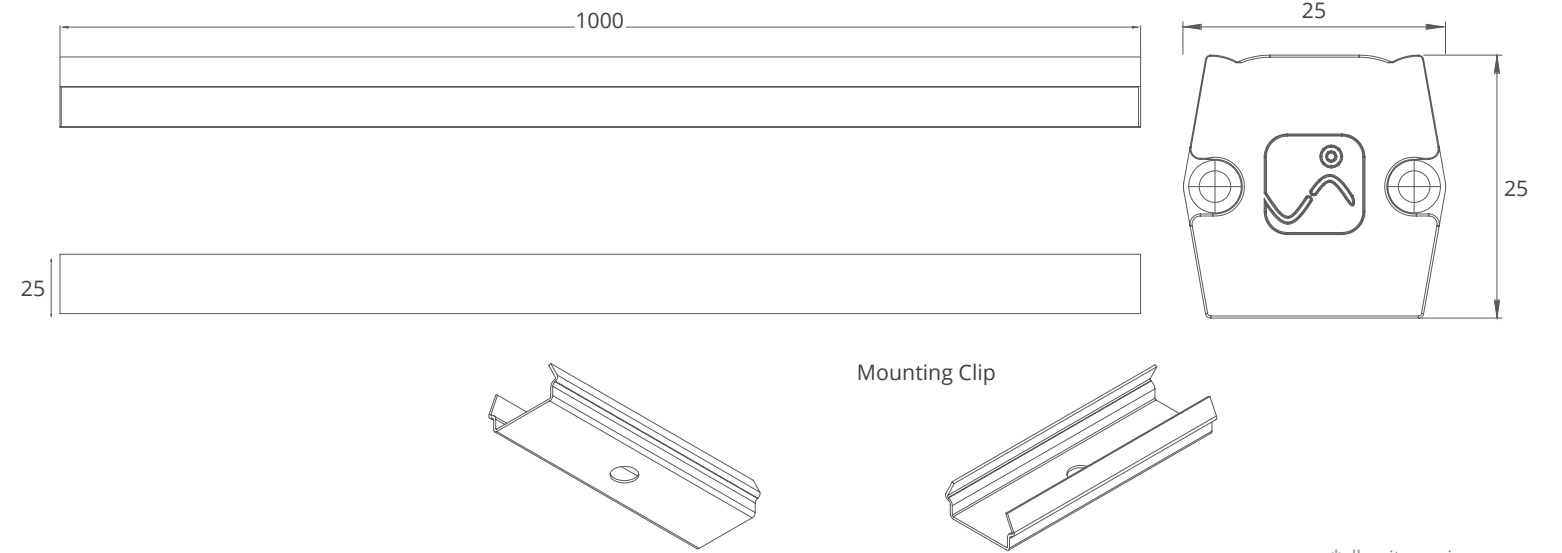
MODEL	CONTINUES-25 SURFACE
OPERATING VOLTAGE	24V DC
POWER CONSUMPTION	12W/1000mm, 14W/1000mm, 20W/1000mm, 24W/1000mm
LED TYPE	SMD
COLOUR TEMP OPTION	2700K, 3000K, 4000K, 5000K, 6000K, RGB, RGBW,
CRI	80min, 90min
PRODUCT EFFICACY	97lm/W@3000K
FULL WIDTH AT HALF MAXIMUM (OPTICS)	120°
MATERIAL	PMMA + AL Body
AMBIENT OPERATING TEMPERATURE	-20°C ~ +55°C
STORAGE TEMPERATURE	-25°C ~ +60°C
LIFETIME	50,000 hours/L80 at 25°C
DIMENSIONS	1000(L)*25(W)*25(H)mm
CABLE LENGTH	300mm
CONTROL SYSTEM	ON/OFF, DALI, 0-10V, DMX
MOUNTING TYPE	Surface
IP RATING	IP20

FEATURES & OPTIONS



- 01. IP20
- 02. ON/OFF
- 03. DALI
- 04. DMX
- 05. EASY INSTALLATION
- 06. EXTREME ENVIRONMENT

DIMENSIONS



OPTIC SELECTION



120°

LED	Lumens	Watts	Efficacy
WHITE	2340.96	24.00	97.54

CenterBeamLux	Illuminance at Distance
2340.92 lx	01.7 m
780.51 lx	03.3 m
390.70 lx	05.0 m
205.26 lx	06.7 m
136.40 lx	08.3 m
91.22 lx	10.0 m

■ Ver. Spread: 114° ■ Horiz. Spread: 112°



120°

LED	Lumens	Watts	Efficacy
WHITE	1158.48	12.00	96.54

CenterBeamLux	Illuminance at Distance
1158.80 lx	01.7 m
386.40 lx	03.3 m
193.20 lx	05.0 m
101.80 lx	06.7 m
67.20 lx	08.3 m
45.14 lx	10.0 m

■ Ver. Spread: 114° ■ Horiz. Spread: 112°

3000K

CONTINUES-25 SUSPENDED

IP20, Creating vertical lines of light of considerable depth, projecting the light beam with punctual and incisive light. The Continues-25 Series collection, the latest addition to the Profile family.



SPECIFICATION

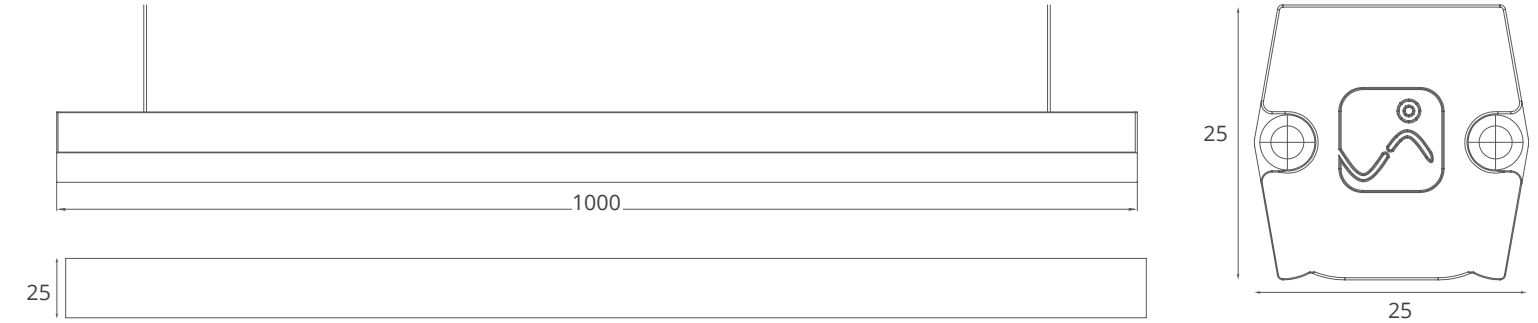
MODEL	CONTINUES-25 SUSPENDED
OPERATING VOLTAGE	24V DC
POWER CONSUMPTION	12W/1000mm, 14W/1000mm, 20W/1000mm, 24W/1000mm
LED TYPE	SMD
COLOUR TEMP OPTION	2700K, 3000K, 4000K, 5000K, 6000K, RGB, RGBW,
CRI	80min, 90min
PRODUCT EFFICACY	97lm/W@3000K
FULL WIDTH AT HALF MAXIMUM (OPTICS)	20°, 40°, 60°, 120°
MATERIAL	AL Body
AMBIENT OPERATING TEMPERATURE	-20°C ~ +55°C
STORAGE TEMPERATURE	-25°C ~ +60°C
LIFETIME	50,000 hours/L80 at 25°C
DIMENSIONS	1000(L)*25(W)*25(H)mm
CABLE LENGTH	300mm
CONTROL SYSTEM	ON/OFF, DALI, 0-10V, DMX
MOUNTING TYPE	Suspended
IP RATING	IP20

FEATURES & OPTIONS



- 01. IP20
- 02. ON/OFF
- 03. DALI
- 04. DMX
- 05. EASY INSTALLATION
- 06. EXTREME ENVIRONMENT

DIMENSIONS



*all units are in mm

OPTIC SELECTION



120°

LED	Lumens	Watts	Efficacy
WHITE	2340.96	24.00	97.54

CenterBeamLux	Illuminance at Distance
2340.92 lx	01.7 m
780.51 lx	03.3 m
390.70 lx	05.0 m
205.26 lx	06.7 m
136.40 lx	08.3 m
91.22 lx	10.0 m

■ Ver. Spread: 114° ■ Horiz. Spread: 112°



40°

LED	Lumens	Watts	Efficacy
WHITE	1,274.00	14.00	91.00

CenterBeamLux	Illuminance at Distance
1158.80 lx	01.7 m
386.40 lx	03.3 m
193.20 lx	05.0 m
101.80 lx	06.7 m
67.20 lx	08.3 m
45.14 lx	10.0 m

■ Ver. Spread: 43.9° ■ Horiz. Spread: 43.7°

3000K

CONTINUES-25 SYSTEM

ASCENT ave

IP20, Creating vertical lines of light of considerable depth, projecting the light beam with punctual and incisive light. The Continues-25 Series collection, the latest addition to the Profile family.



SPECIFICATION

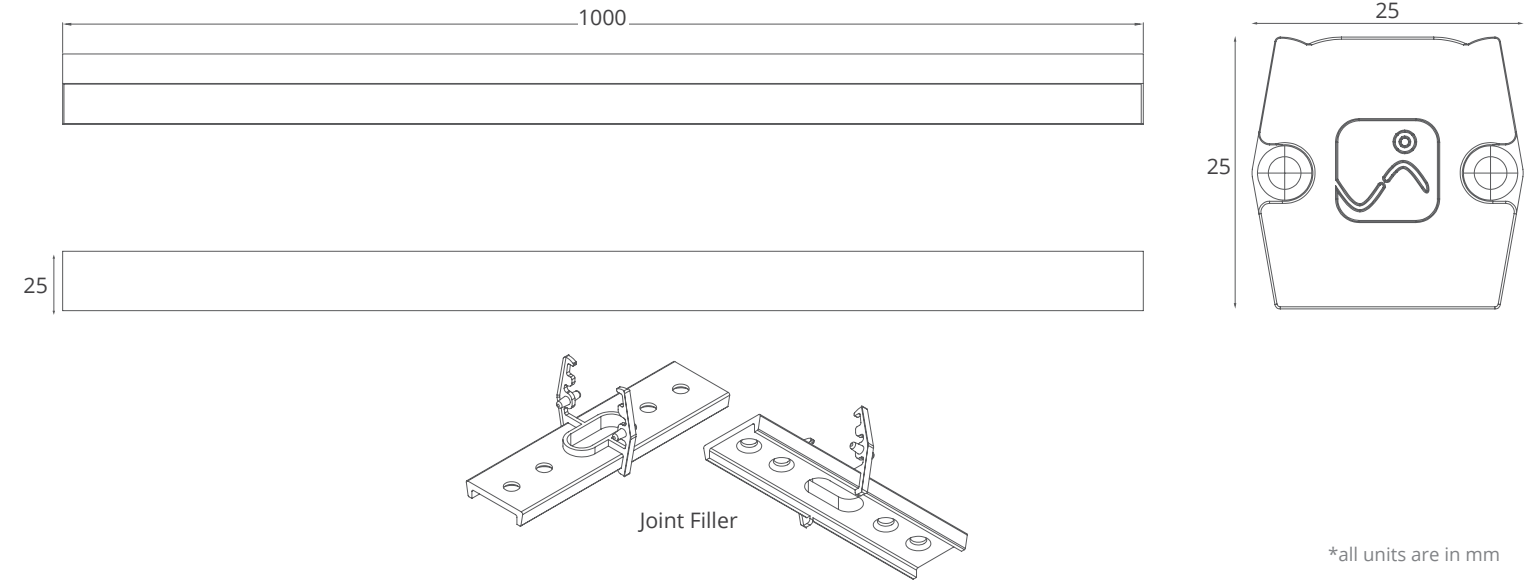
MODEL	CONTINUES-25 SYSTEM
OPERATING VOLTAGE	24V DC
POWER CONSUMPTION	12W/1000mm, 14W/1000mm, 20W/1000mm, 24W/1000mm
LED TYPE	SMD
COLOUR TEMP OPTION	2700K, 3000K, 4000K, 5000K, 6000K, RGB, RGBW
CRI	80min, 90min
PRODUCT EFFICACY	97lm/W@3000K
FULL WIDTH AT HALF MAXIMUM (OPTICS)	20°, 40°, 60°, 120°
MATERIAL	AL Body
AMBIENT OPERATING TEMPERATURE	-20°C ~ +55°C
STORAGE TEMPERATURE	-25°C ~ +60°C
LIFETIME	50,000 hours/L80 at 25°C
DIMENSIONS	1000(L)*25(W)*25(H)mm
CABLE LENGTH	300mm
CONTROL SYSTEM	ON/OFF, DALI, 0-10V, DMX
MOUNTING TYPE	Customised
IP RATING	IP20

FEATURES & OPTIONS



- 01. IP20
- 02. ON/OFF
- 03. DALI
- 04. DMX
- 05. EASY INSTALLATION
- 06. EXTREME ENVIRONMENT

DIMENSIONS



OPTIC SELECTION



120°

LED	Lumens	Watts	Efficacy
WHITE	2340.96	24.00	97.54

CenterBeamLux	Illuminance at Distance
2340.92 lx	01.7 m
780.51 lx	03.3 m
390.70 lx	05.0 m
205.26 lx	06.7 m
136.40 lx	08.3 m
91.22 lx	10.0 m

■ Ver. Spread: 114° ■ Horiz. Spread: 112°



40°

LED	Lumens	Watts	Efficacy
WHITE	1,274.00	14.00	91.00

CenterBeamLux	Illuminance at Distance
1158.80 lx	01.7 m
386.40 lx	03.3 m
193.20 lx	05.0 m
101.80 lx	06.7 m
67.20 lx	08.3 m
45.14 lx	10.0 m

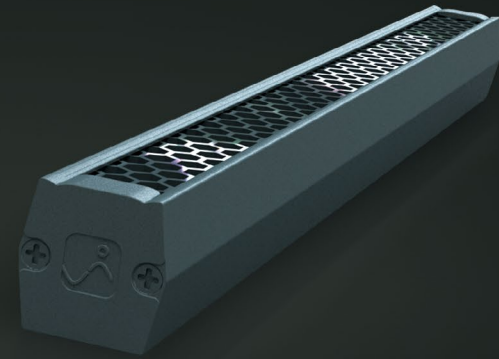
■ Ver. Spread: 43.9° ■ Horiz. Spread: 43.7°

3000K

CONTINUES-25 OPTICS

ASCENT ave

IP20, Creating vertical lines of light of considerable depth, projecting the light beam with punctual and incisive light. The Continues-25 Series collection, the latest addition to the Profile family.



SPECIFICATION

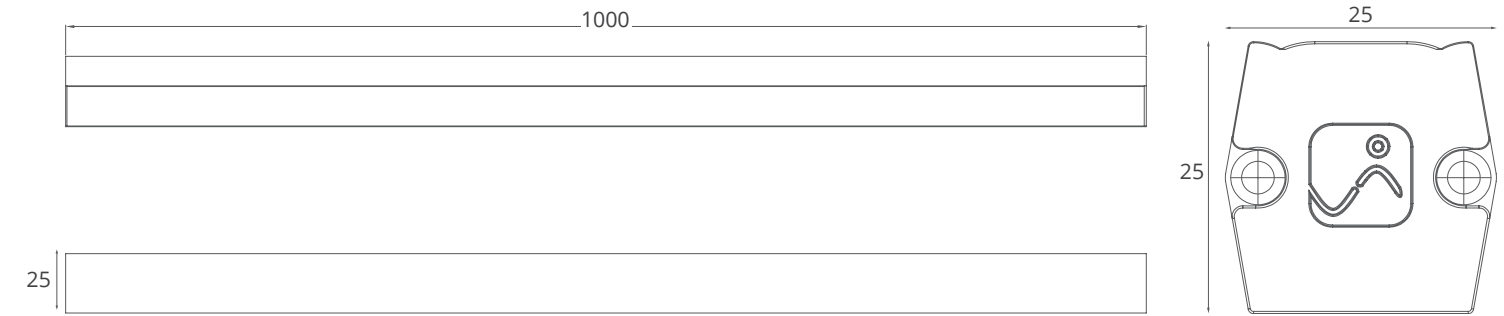
MODEL	CONTINUES-25 OPTICS
OPERATING VOLTAGE	24V DC
POWER CONSUMPTION	12W/1000mm, 14W/1000mm, 20W/1000mm, 24W/1000mm
LED TYPE	SMD
COLOUR TEMP OPTION	2700K, 3000K, 4000K, 5000K, 6000K, RGB, RGBW
CRI	80min, 90min
PRODUCT EFFICACY	97lm/W@3000K
FULL WIDTH AT HALF MAXIMUM (OPTICS)	20°, 40°, 60°, 120°
MATERIAL	AL Body
AMBIENT OPERATING TEMPERATURE	-20°C ~ +55°C
STORAGE TEMPERATURE	-25°C ~ +60°C
LIFETIME	50,000 hours/L80 at 25°C
DIMENSIONS	1000(L)*25(W)*25(H)mm
CABLE LENGTH	300mm
CONTROL SYSTEM	ON/OFF, DALI, 0-10V, DMX
MOUNTING TYPE	Recessed
IP RATING	IP20

FEATURES & OPTIONS



- 01. IP20
- 02. ON/OFF
- 03. DALI
- 04. DMX
- 05. EASY INSTALLATION
- 06. EXTREME ENVIRONMENT

DIMENSIONS



*all units are in mm

OPTIC SELECTION



120°

LED	Lumens	Watts	Efficacy
WHITE	2340.96	24.00	97.54

CenterBeamLux	Illuminance at Distance
2340.92 lx	01.7 m
780.51 lx	03.3 m
390.70 lx	05.0 m
205.26 lx	06.7 m
136.40 lx	08.3 m
91.22 lx	10.0 m

■ Ver. Spread: 114° ■ Horiz. Spread: 112°



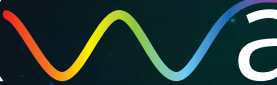
40°

LED	Lumens	Watts	Efficacy
WHITE	1,274.00	14.00	91.00

CenterBeamLux	Illuminance at Distance
1158.80 lx	01.7 m
386.40 lx	03.3 m
193.20 lx	05.0 m
101.80 lx	06.7 m
67.20 lx	08.3 m
45.14 lx	10.0 m

■ Ver. Spread: 43.9° ■ Horiz. Spread: 43.7°

3000K

FLEX  **ave**

FlexWave, flexible to use, flexible to install. The name already reveals the constructive philosophy of this collection of flexible linear elements, which consists of four different families, TRANSPARENT, CLEAR, FROST and TOTAL LIGHT.

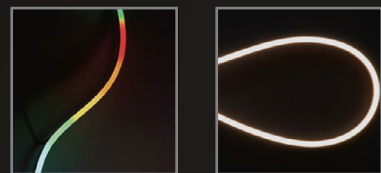
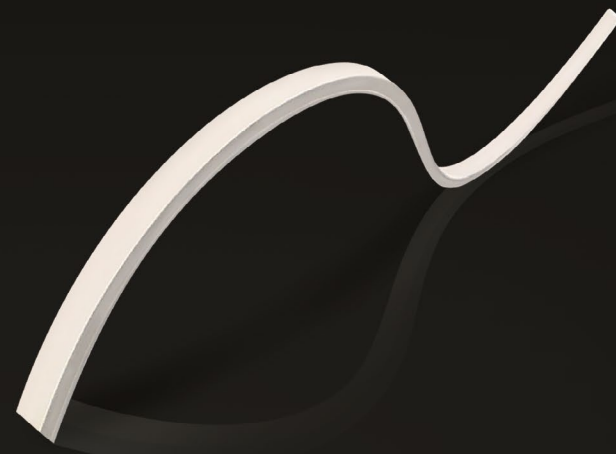
Each family has its own specific peculiarity which makes it particularly suitable in a specific lighting context.

Non-toxic and treated polyurethane with protection against yellowing caused by UV rays and strong resistance to the corrosive action of saline agents in outdoor spaces are the basic elements of the mechanical construction of the Flexwave product range. The range consists of various different models for light output and chromaticity, each suitable for a specific lighting technique. Various accessories for installation, mounting clips, outer-case in flexible treated silicone, harmonic steel clips, waterproof connectors for connections and power cable for versus application is also available

FLEX SLIM PIXEL

FLEXwave

Ultra flexible body designed for any curve or shape, The high quality diffuser creates smooth light for direct view with high CRI>90, Various length versions are available upon request, The system provides seamless continuous connection for lighting.



SPECIFICATION

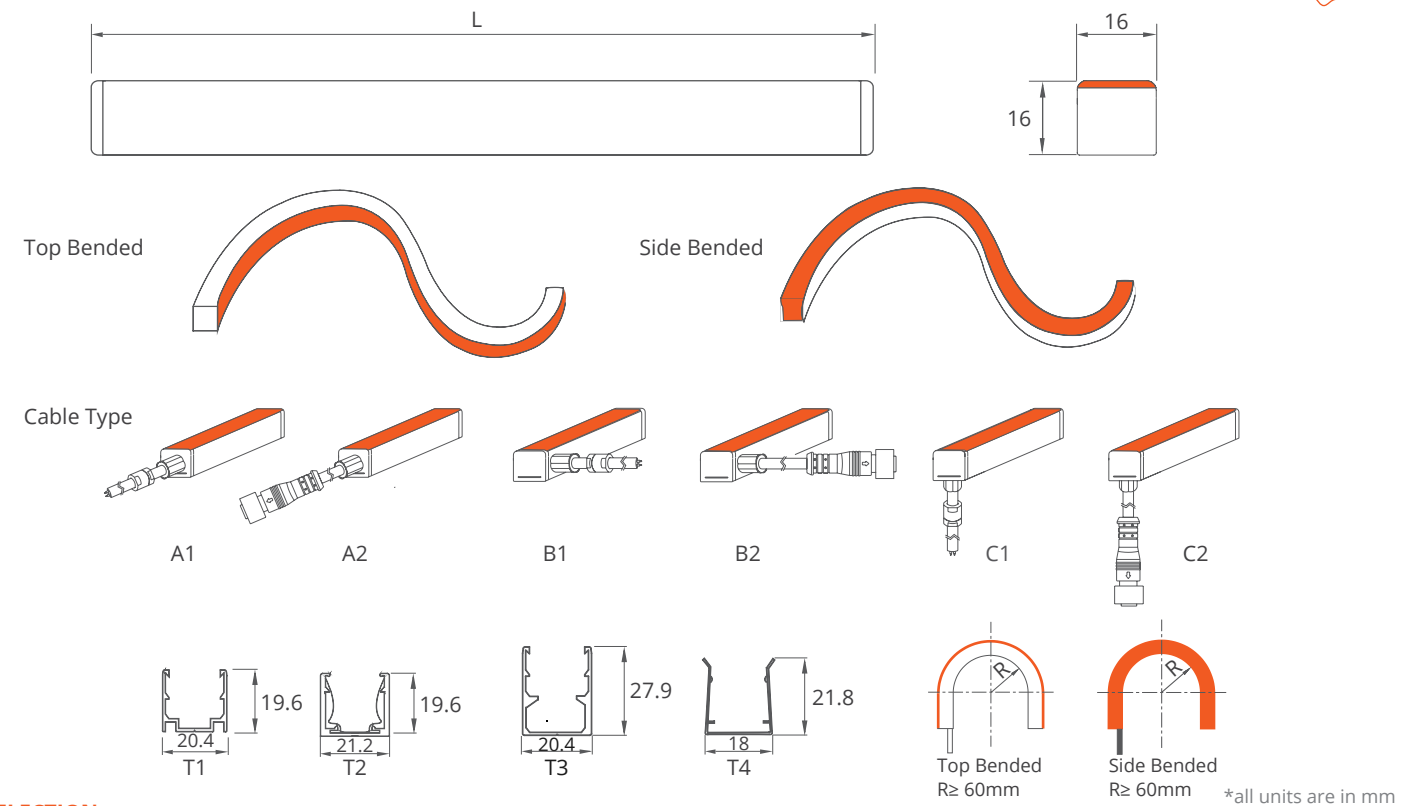
MODEL	FLEX SLIM PIXEL
OPERATING VOLTAGE	24V DC
POWER CONSUMPTION	6W/meters, 9.6W/meters, 14.4W/meters (RGBW only), (10PXL/M)
LED TYPE	SMD
COLOUR TEMP OPTION	2400K, 2700K, 3000K, 4000K, 5000K, Tunable White, RGB, RGBW
CRI	90min, 80min
PRODUCT EFFICACY	63lm/W@3000K
FULL WIDTH AT HALF MAXIMUM (OPTICS)	120°
MATERIAL	ECO PVC
AMBIENT OPERATING TEMPERATURE	-20°C ~ +55°C
STORAGE TEMPERATURE	-25°C ~ +60°C
LIFETIME	50,000 hours/L70 at 25°C
DIMENSIONS	1000(L)*16(W)*16(H)mm, Max 5meters, ETO Length available
CABLE LENGTH	500mm
CONTROL SYSTEM	ON/OFF, DMX/RDM, 0-10V Dim
MOUNTING TYPE	Aluminium Profile
IP RATING	IP67

FEATURES & OPTIONS



- | | | |
|--------|-----------------|-----------|
| 01. CW | 05. RGB | 09. POLAR |
| 02. NW | 06. RGBW | 10. DMX |
| 03. WW | 07. IP67 | 11. RDM |
| 04. DW | 08. ANTI-SALINE | |

DIMENSIONS



OPTIC SELECTION



120°

LED	Lumens	Watts	Efficacy
WHITE	336.76	5.50	63.14

CenterBeamLux	Illuminance at Distance
669.25 lx	0.3 m
167.39 lx	0.7 m
74.39 lx	1.0 m
38.88 lx	1.3 m
26.56 lx	1.7 m
18.58 lx	2.0 m

■ Ver. Spread: 125.4° ■ Horiz. Spread: 162.7°



120°

LED	Lumens	Watts	Efficacy
WHITE	595.00	9.60	61.97

CenterBeamLux	Illuminance at Distance
1142.31 lx	0.3 m
285.56 lx	0.7 m
126.24 lx	1.0 m
71.18 lx	1.3 m
45.66 lx	1.7 m
31.71 lx	2.0 m

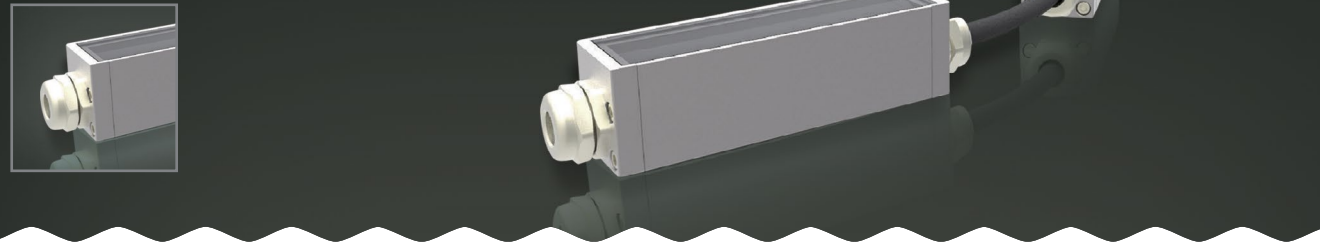
■ Ver. Spread: 128.0° ■ Horiz. Spread: 162.5°

3000K

MODULER FLEX



Flexible and compact design for outdoor curved space with high consistency of light output, Uniformity light output by 2 steps or 3 steps bin selection upon request.



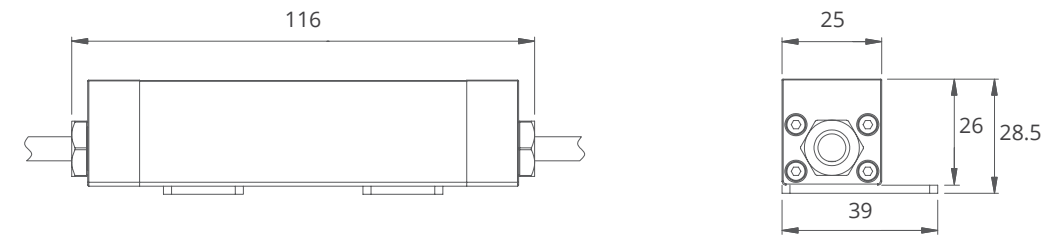
SPECIFICATION

MODEL	MODULER FLEX
OPERATING VOLTAGE	24V DC, 48V DC
POWER CONSUMPTION	5W/Unit, Max 6units Per Meter
LED TYPE	High Power LED
COLOUR TEMP OPTION	2700K, 3000K, 4000K, 5000K, Tunable White
CRI	80min
PRODUCT EFFICACY	70lm/W@3000K
FULL WIDTH AT HALF MAXIMUM (OPTICS)	20°*40°, 35°, 45°, 60°, 10°*120°
MATERIAL	Aluminum + Tempered Glass
AMBIENT OPERATING TEMPERATURE	-20°C ~ +55°C
STORAGE TEMPERATURE	-25°C ~ +60°C
LIFETIME	50,000 hours/L70 at 25°C
DIMENSIONS	116(L)*25(W)*26(H)mm, 116(L)*25(W)*28.5(H)mm(Flat Bracket)
CABLE LENGTH	150mm
CONTROL SYSTEM	ON/OFF, DMX/RDM, 0-10V Dim
MOUNTING TYPE	Surface
IP RATING	IP66

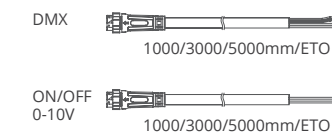
FEATURES & OPTIONS

	01. CW		04. DW		07. POLAR
	02. NW		05. IP66		08. DMX
	03. WW		06. ANTI-SALINE		09. RDM

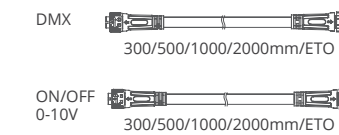
DIMENSIONS



Leader Cable



Jumper Cable



*all units are in mm

OPTIC SELECTION



LED	Lumens	Watts	Efficacy
WHITE	350.00	5.00	70.00

CenterBeamLux	Illuminance at Distance
86.55 lx	02.5 m
21.75 lx	05.0 m
9.61 lx	07.5 m
5.43 lx	10.0 m
3.45 lx	12.5 m
2.39 lx	15.0 m

■ Ver. Spread: 22.7° ■ Horiz. Spread: 33.1°



LED	Lumens	Watts	Efficacy
WHITE	335.00	5.00	67.00

CenterBeamLux	Illuminance at Distance
531.56 lx	0.8 m
132.86 lx	1.7 m
59.06 lx	2.5 m
33.22 lx	3.3 m
21.26 lx	4.2 m
14.76 lx	5.0 m

■ Ver. Spread: 9.5° ■ Horiz. Spread: 116.9°

3000K

INSTA FLEX GRAZE

Flexible and compact design for outdoor curved space with high consistency of light output, Uniformity light output by 2 steps or 3 steps bin selection upon request.



SPECIFICATION

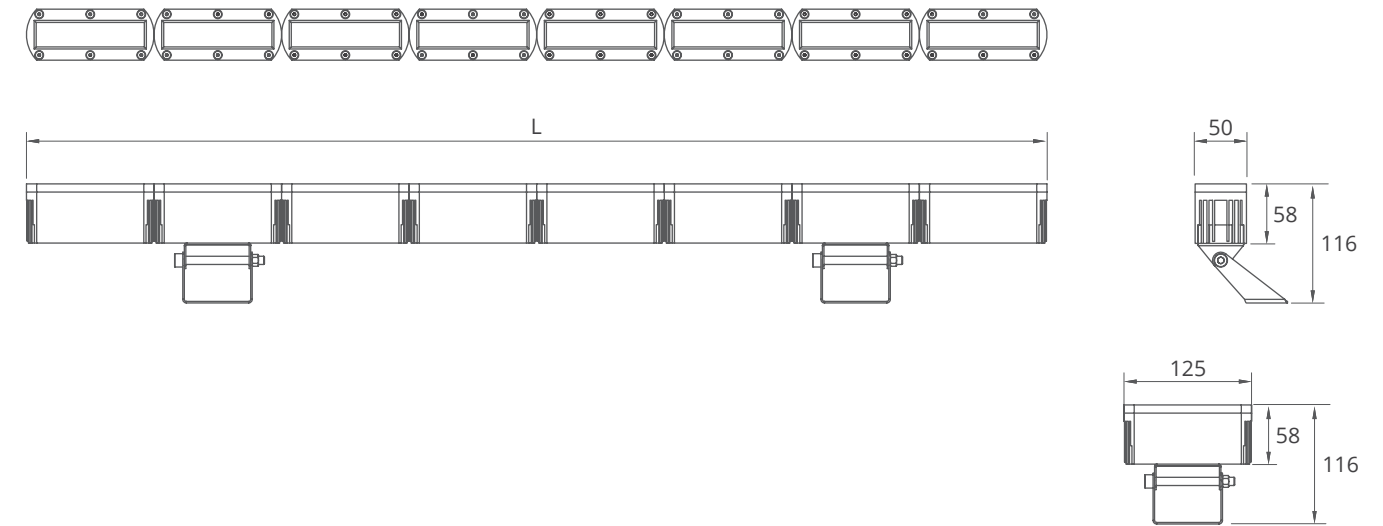
MODEL	INSTA FLEX GRAZE
OPERATING VOLTAGE	24V DC
POWER CONSUMPTION	5W/Unit, 8 Units Per Meter
LED TYPE	High Power LED
COLOUR TEMP OPTION	2700K,3000K,4000K,5000K,Tunable White, RGBW
CRI	80min
PRODUCT EFFICACY	76 lm/W@3000K
FULL WIDTH AT HALF MAXIMUM (OPTICS)	10°*50°, 20°*40°, 35°, 45°, 60°
MATERIAL	Aluminum + Tempered Glass
AMBIENT OPERATING TEMPERATURE	-20°C ~ +55°C
STORAGE TEMPERATURE	-25°C ~ +60°C
LIFETIME	50,000 hours/L70 at 25°C
DIMENSIONS	125(L)*50(W)*58(H)mm, 125(L)*50(W)*116(H)mm (With Bracket)
CABLE LENGTH	150mm
CONTROL SYSTEM	ON/OFF, DMX, 0-10V Dim
MOUNTING TYPE	Surface
IP RATING	IP66

FEATURES & OPTIONS



- 01. RGBW
- 02. Dimmable
- 03. IP66
- 04. Adjustable
- 05. Easy Installation
- 06. Extreme Environments

DIMENSIONS



*all units are in mm

OPTIC SELECTION

10°x50°

LED	Lumens	Watts	Efficacy
WHITE	363.00	5.00	72.66

CenterBeamLux	Illuminance at Distance
1557.40 lx	0.8 m
389.35 lx	1.7 m
173.04 lx	2.5 m
97.34 lx	3.3 m
62.30 lx	4.2 m
43.26 lx	5.0 m

Ver. Spread: 12.2° Horiz. Spread: 55.6°

60°

LED	Lumens	Watts	Efficacy
WHITE	382.50	5.00	76.50

CenterBeamLux	Illuminance at Distance
511.10 lx	0.8 m
127.79 lx	1.7 m
56.81 lx	2.5 m
31.95 lx	3.3 m
22.15 lx	4.2 m
14.22 lx	5.0 m

Ver. Spread: 56.3° Horiz. Spread: 55.2°

3000K



Lyitit Solutions Pvt Ltd.
South City Anmol Infra Park,
NH 6, Mouza Jagdishpur JL No 2,
District Howrah - 711114
West Bengal
www.lyitit.com
kashyap.b@lyitit.com
P+91 99205 31244